

DOOR AND HARDWARE NOTES:

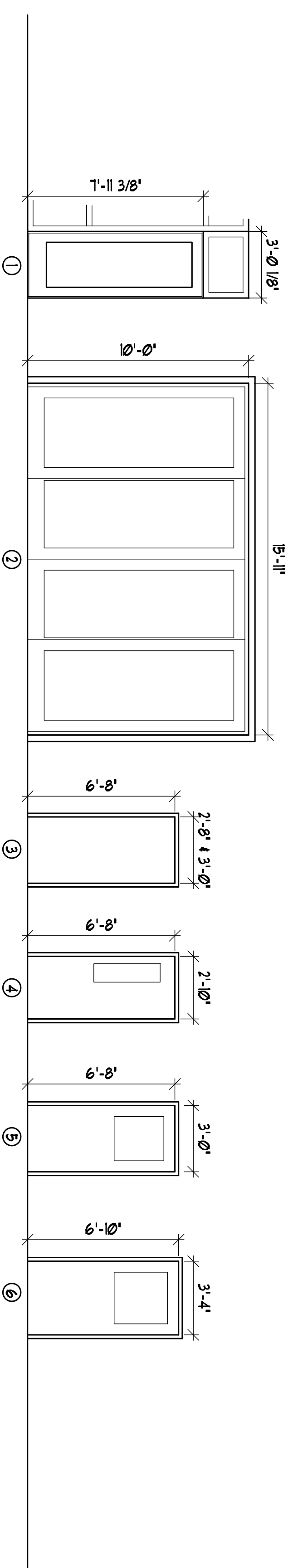
TYPICAL INTERIOR DOORS TO BE SOLID CORE CLEAR FINISH BIRCH

ACCEPTABLE MANUFACTURERS:

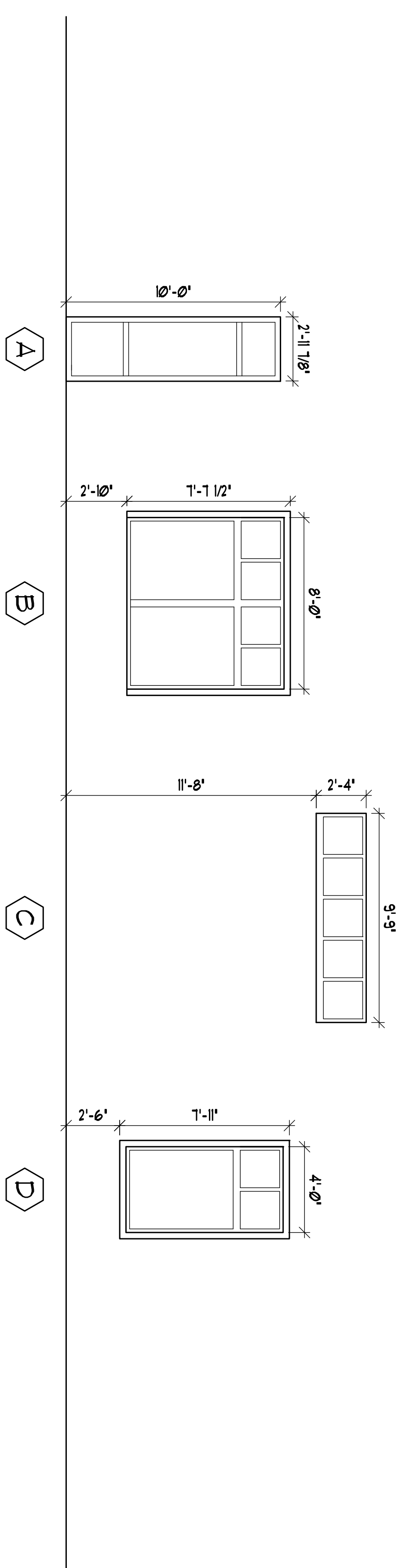
HINGES	MC KINNEY STANLEY	SCRANTON PA NEW BRITAIN CT
LOCKS/SETS	SARGENT SCHLAGE BEST	NEW HAVEN CT COLORADO SPRINGS CO INDIANAPOLIS, IN
DOOR CLOSERS	SARGENT LON NORTON	NEW HAVEN CT FRINGENTON, IL CHARLOTTE, NC
DOOR STOP	GLYNN JOHNSON IVEB ROCKWOOD	INDIANAPOLIS, IN NEW HAVEN CT ROCKWOOD, PA
PROTECTIVE PLATES	ROCKWOOD BURNS IVEB	ROCKWOOD, PA ERE, PA NEW HAVEN CT
THRESHOLDS/ WEATHERSTRIPPING/ RAIN DRIPS	NAP FERKO REESE	TEMPLES, TN TEMPLES, TN ROBERTSON, TN
SILENCERS	IVEB GLYNN JOHNSON ROCKWOOD	NEW HAVEN CT INDIANAPOLIS, IN ROCKWOOD, PA

TYPICAL HARDWARE:

OFFICE -	3 HINGES 1 LOCKSET 1 DOOR STOP 3 DOOR SILENCERS	TA2714 4 1/2 X 4 1/2 8205 LNL 442 606	26D 5A RO RO	MC SA RO RO
BATHROOM -	3 HINGES 1 PRIVACY SET 1 CLOSER 1 DOOR STOP 3 DOOR SILENCERS	TA2714 4 1/2 X 4 1/2 8265 LNL 281 UO 442 606	26D 5A EN RO GREY	MC SA SA RO RO
PASSAGE -	3 HINGES 1 PASSAGE SET 1 CLOSER 3 DOOR SILENCERS	TA2714 4 1/2 X 4 1/2 8215 LNL 281 UO 606	26D 5A EN GREY	MC SA SA RO
ENTRY - (BY DOOR SUPPLIER)	REAR HLT SERVICE - 3 HINGES 1 CLOSER 1 HANDICAP THRESHOLD 1 GASKETING 1 DOOR SWEEP	TA2314 4 1/2 X 4 1/2 281 CP9 715 36" PA A626 A 1 X 36" 2 X 84" 101 VA 36"	26D EN AL	MC SA NA NA



NUM	DESCRIPTION	SIZE	DOOR		FRAME		NOTES
			TYPE	RATING	MAT	MAT	
01	DINING TO EXTERIOR	3'-0" x 7'-11"	UD	1	N/A	MTL	HOP THRESHOLD ANDERSON 400 SERIES FRENCHWOOD GLIDING DOOR
02	DINING TO EXTERIOR	5'-11" x 0'-0"	UD	2	N/A	MTL	
03	DINING TO EXTERIOR	3'-0" x 7'-11"	UD	1	N/A	MTL	
04	TRNS TO PASSAGE	3'-0" x 6'-8"	UD	3	N/A	MTL	
05	UDTENS TO PASSAGE	3'-0" x 6'-8"	UD	3	N/A	MTL	
06	PASSAGE TO KITCHEN	3'-0" x 6'-8"	UD	3	N/A	MTL	
07	JANITOR TO KITCHEN	2'-8" x 6'-8"	UD	3	N/A	MTL	
08	OFFICE TO KITCHEN	3'-0" x 6'-8"	UD	5	N/A	MTL	
09	OFFICE TO KITCHEN	3'-0" x 6'-8"	UD	5	N/A	MTL	
10	KITCHEN TO EXTERIOR	3'-4" x 6'-8"	UD	6	N/A	MTL	



WINDOW SCHEDULE			
TYPE	SIZE: WxH	OPERATION	DETAILS
			HEAD JAMB SILL
A	2'-11 1/8" x 0'-0"	UD	FIXED
B	8'-0" x 7'-1 1/4"	UD	FIXED
C	9'-9" x 2'-4"	UD	FIXED
D	4'-0" x 7'-11"	UD	FIXED

Borealis Breads
Cafe & Bakery
182 Ocean Ave
Portland, Maine

PORT & GUTY
ARCHITECTURE
65 NEWBURY STREET
PORTLAND, ME 04101
fax: 207.761.9000
info: 207.761.2010
info@portcityarch.com

DATE	DESCRIPTION
04/29/08	04/29/08

Date Issued: 04/29/08
Project Number: 07210
Drawing Scale: 1/4" = 1'-0"
SHEET NAME: DOORS & WINDOWS SCHEDULE

Drawn By: NLS
Checked By: JCC
A7.1