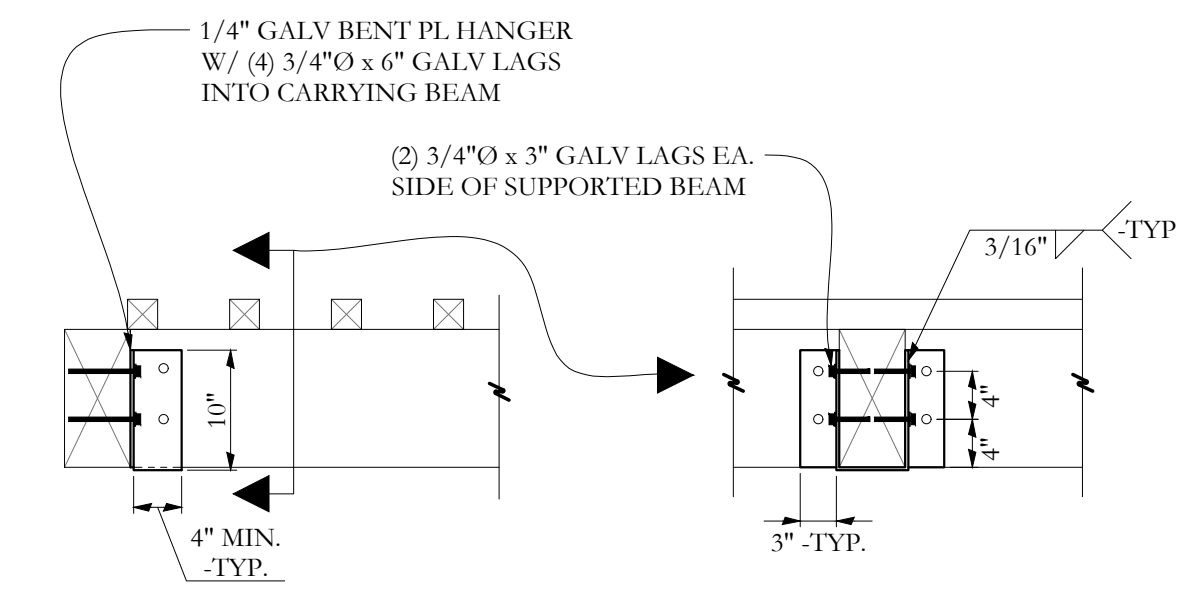
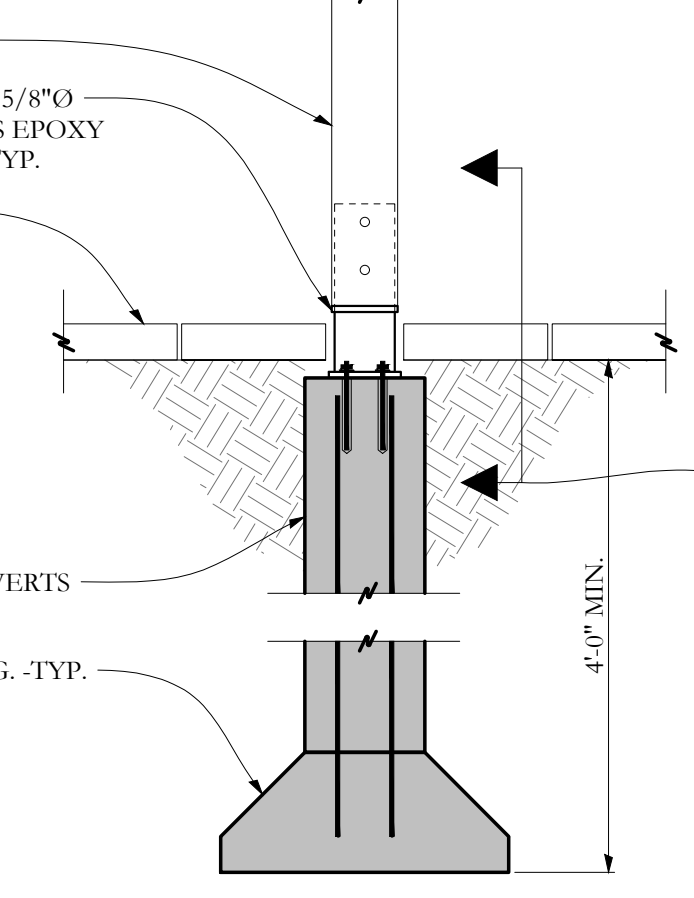
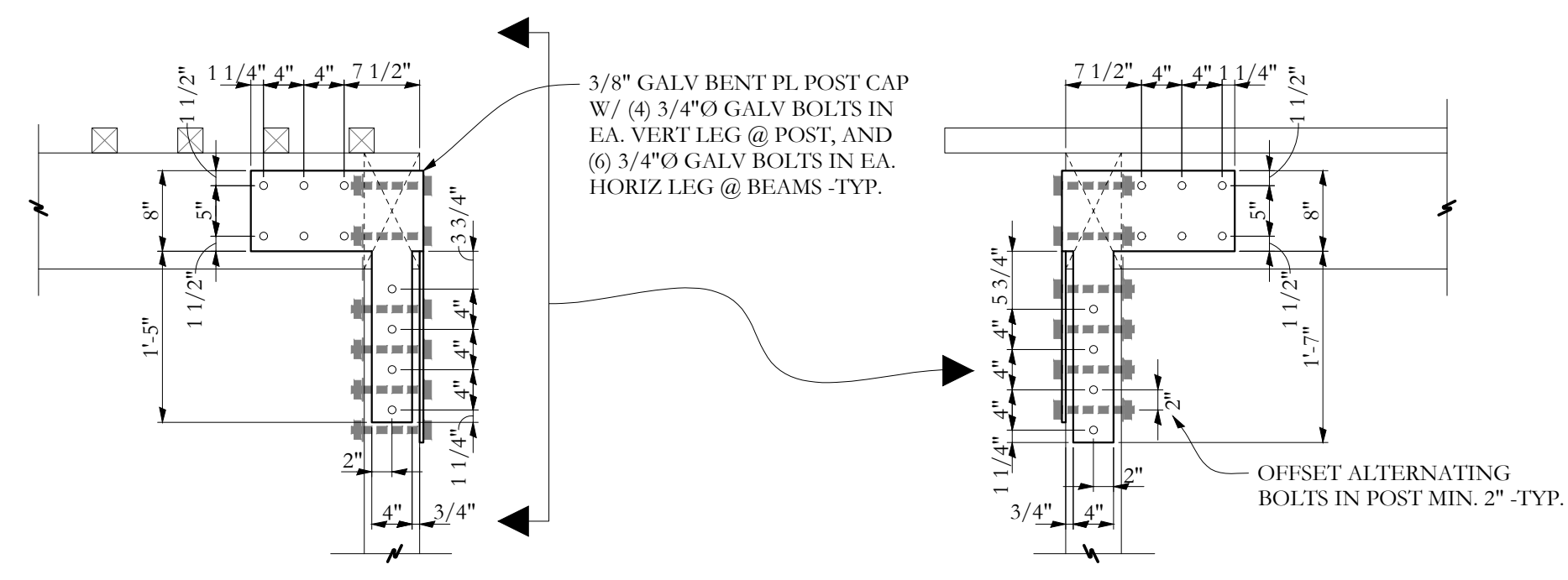


© 2017 RYAN SENATORE ARCHITECTURE

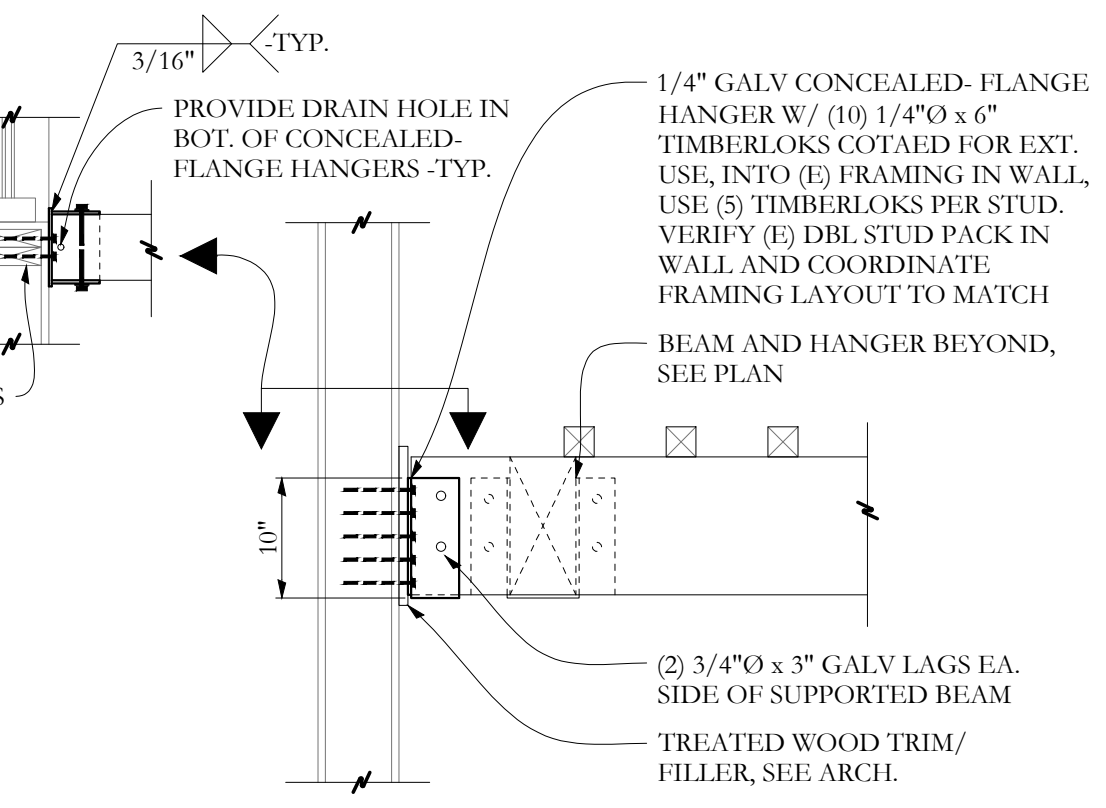
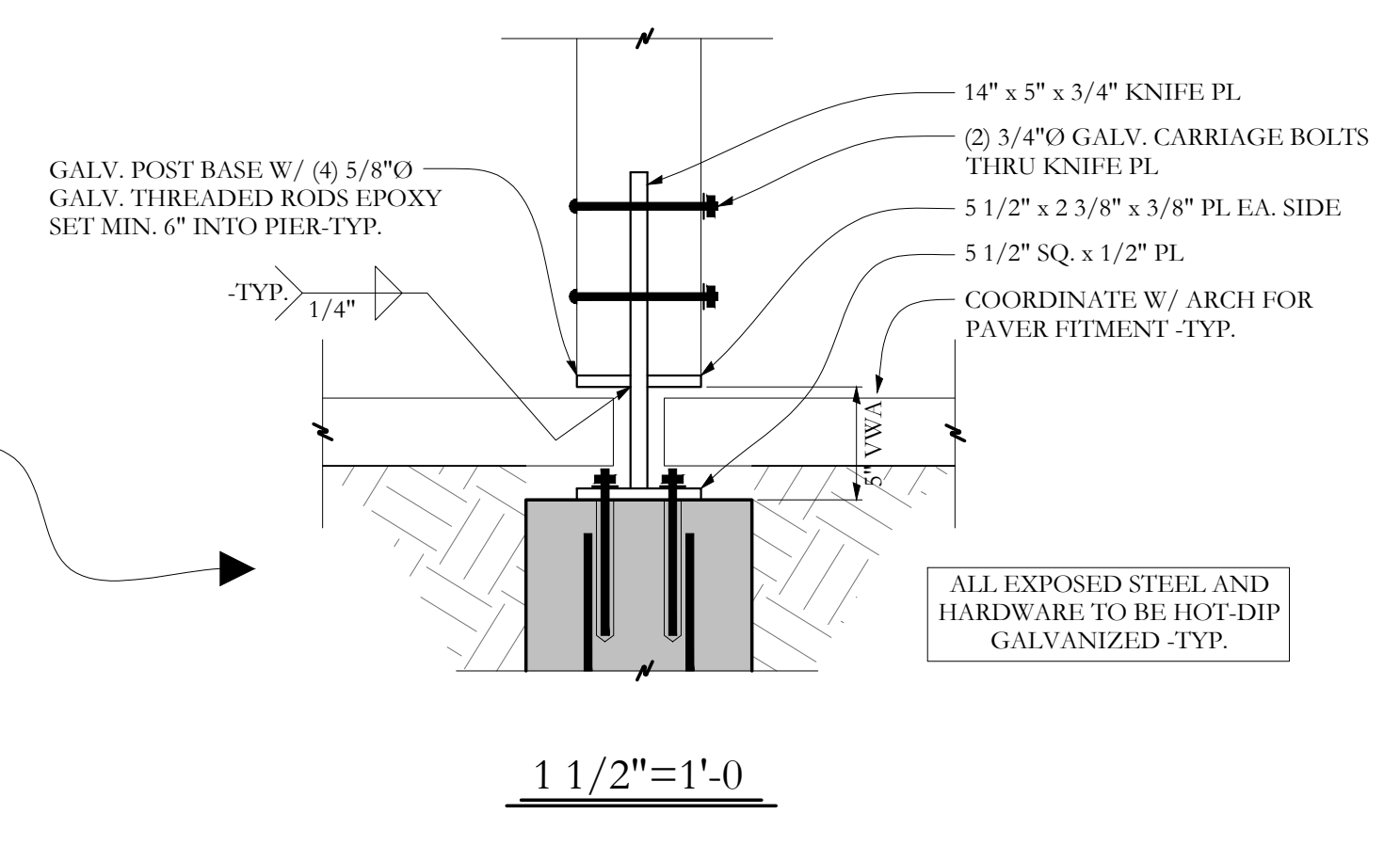
**TIPO - PATIO RENOVATION**  
182 OCEAN AVENUE  
PORTLAND, MAINE



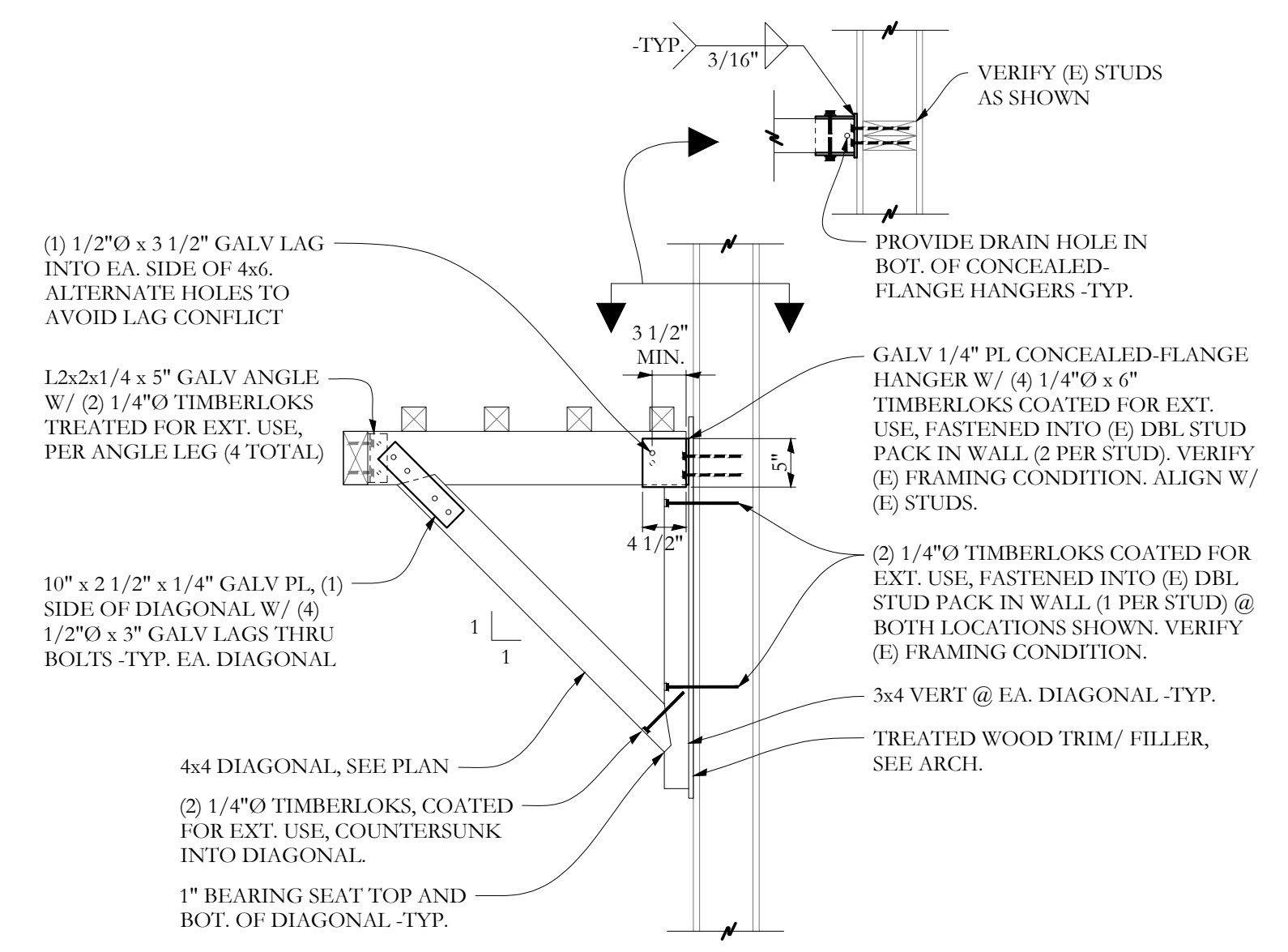
SECTION **D** S2-1 3/4"=1'-0



SECTION **A** S2-1 3/4"=1'-0



SECTION **B** S2-1 3/4"=1'-0



SECTION **C** S2-1 3/4"=1'-0



**RYAN SENATORE ARCHITECTURE**  
565 CONGRESS ST. SUITE 304  
PORTLAND, MAINE 04101  
207-650-6414  
senatorearchitecture.com

CONSULTANTS:  
**STRUCTURAL:**  
Structural Integrity  
77 Oak Street  
Portland, ME 04101  
207-774-4614

REVISIONS:

DATE: 25 April, 2017  
PROJECT No. 1634-A  
DRAWN BY: BDH  
CHECKED BY: ACJ  
SCALE: AS NOTED

SHEET TITLE:  
DETAILS

S2-1