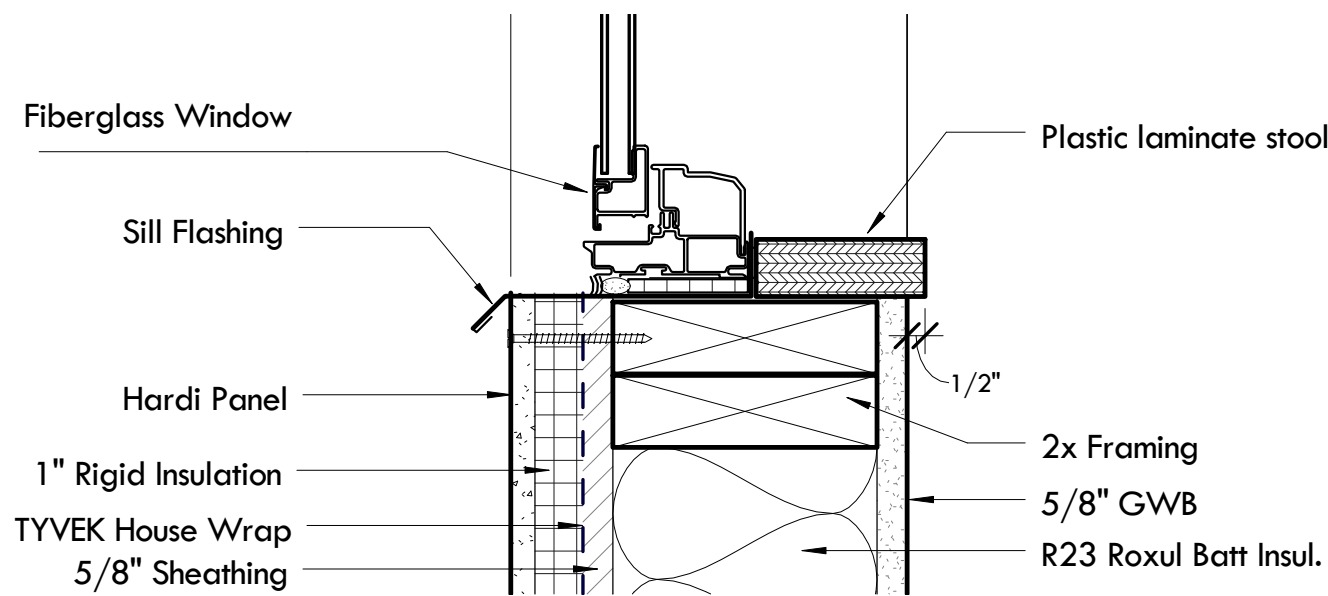
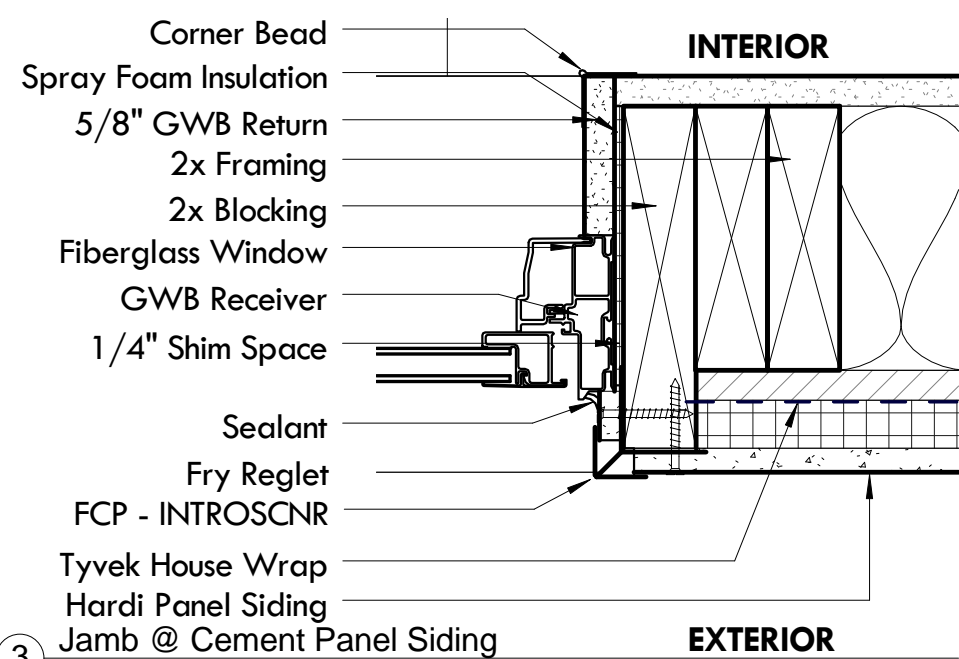


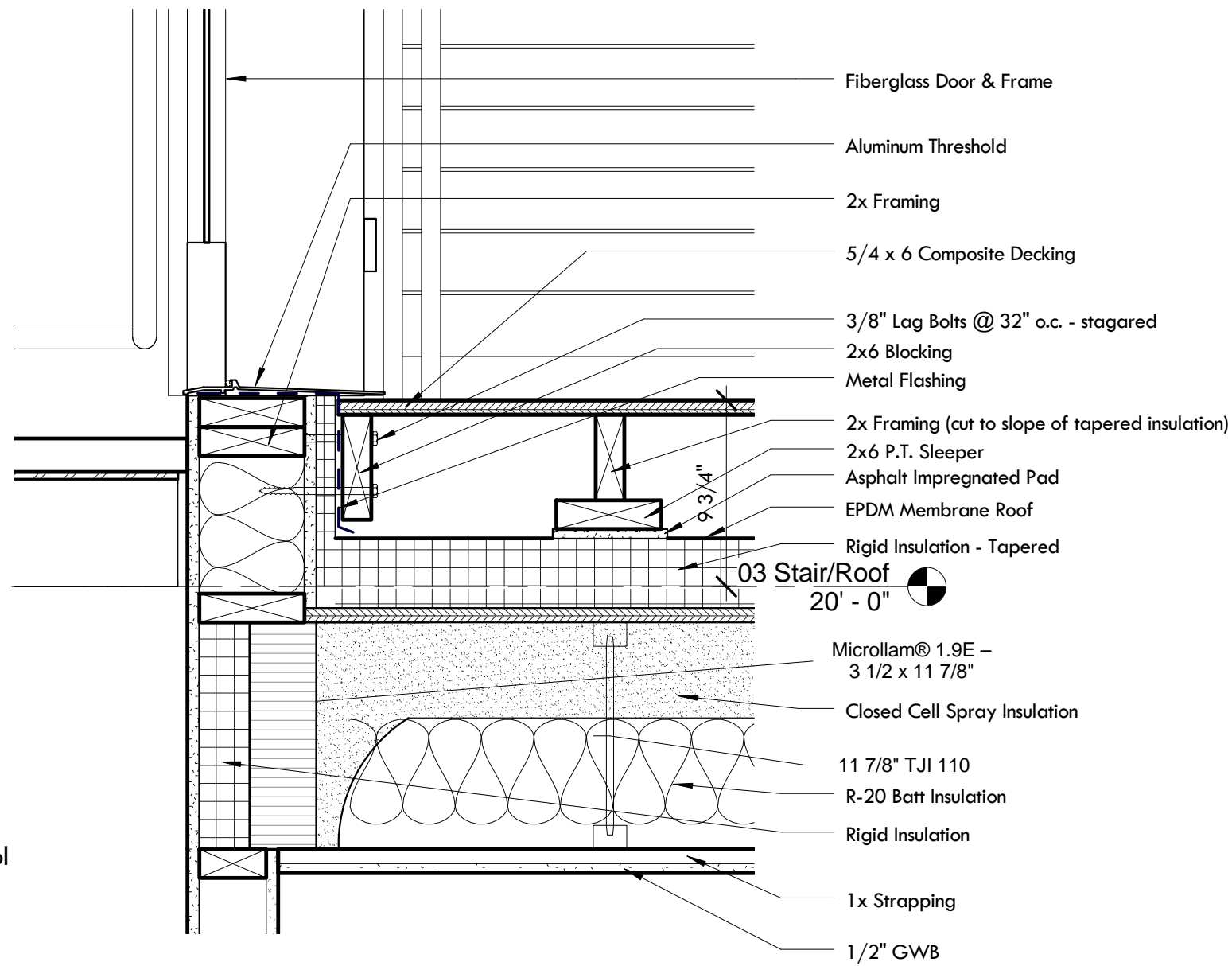
2 Head @ Cement Panel Siding
3" = 1'-0"



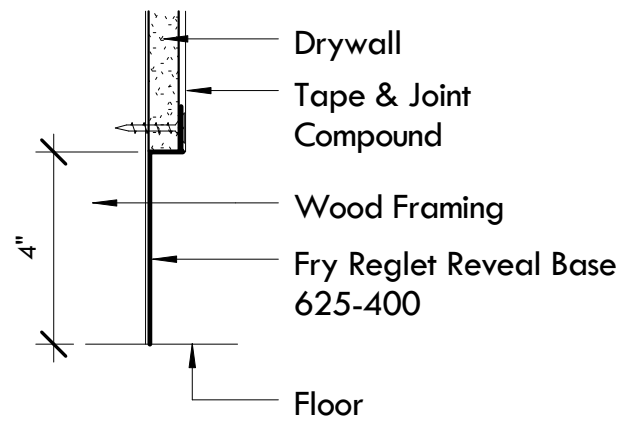
1 Sill @ Cement Panel Siding
3" = 1'-0"



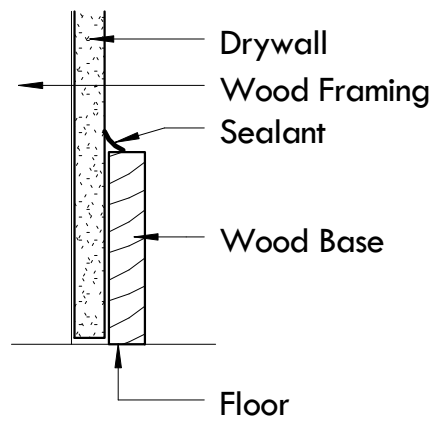
3 Jamb @ Cement Panel Siding
3" = 1'-0"



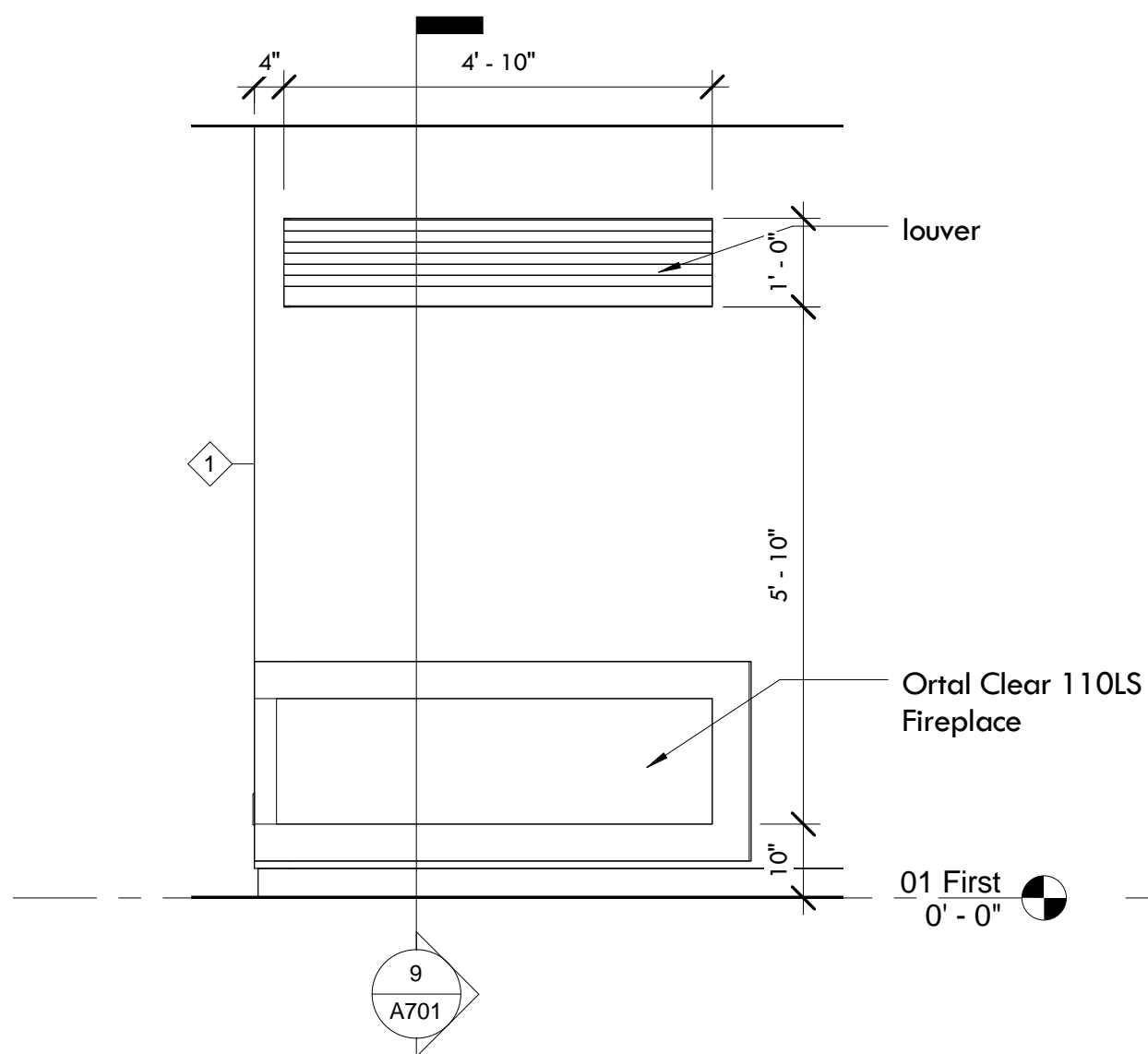
4 Section @ Roof Deck-Door
1 1/2" = 1'-0"



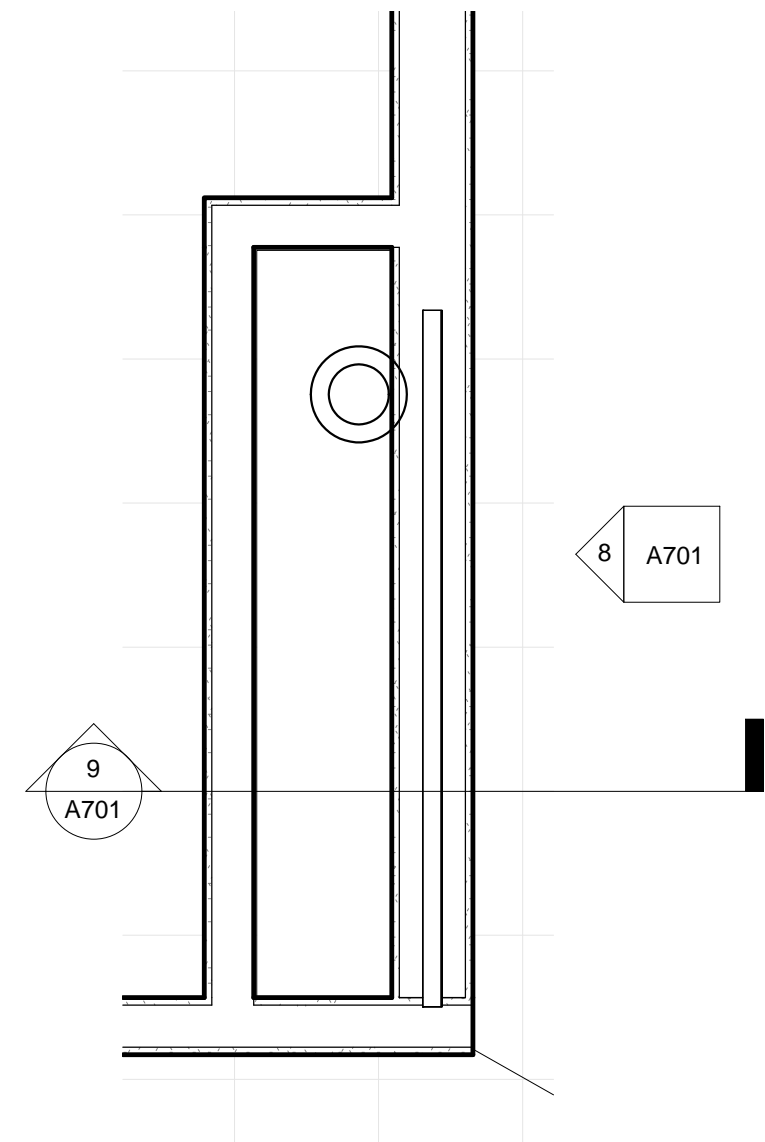
5 Wall Base Reveal Detail
3" = 1'-0"



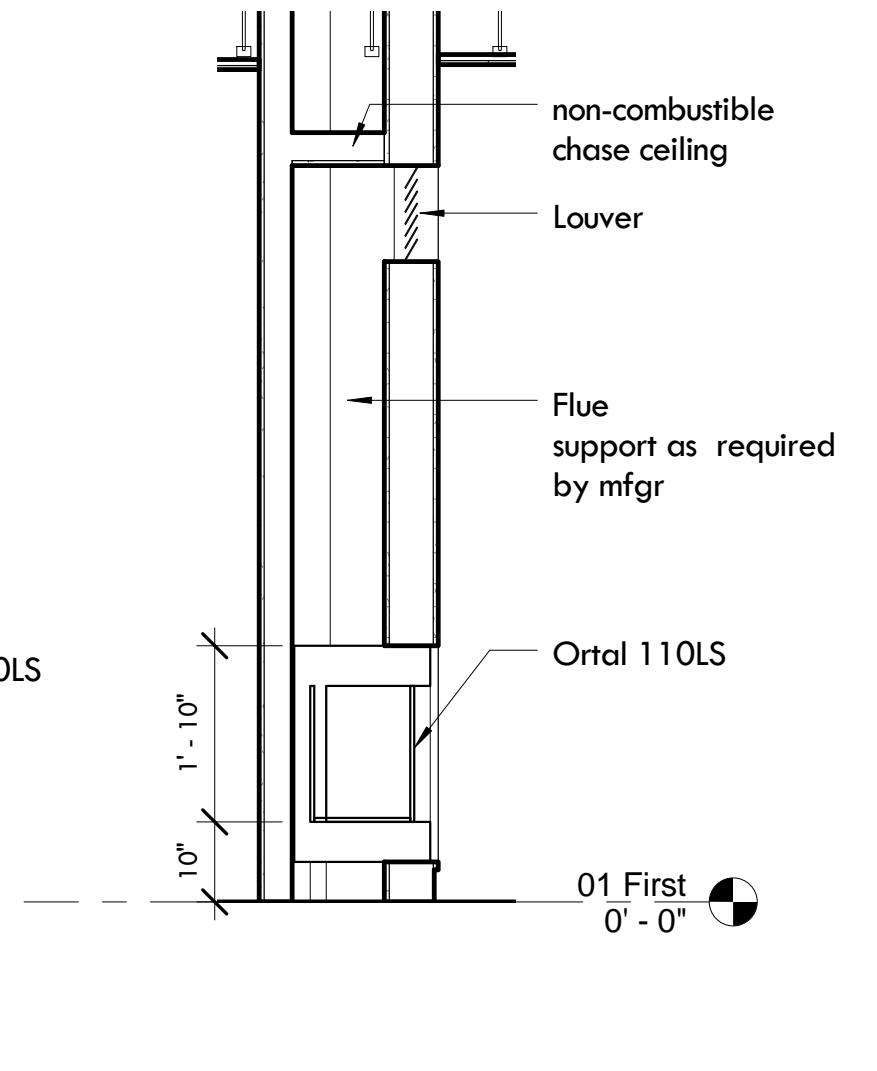
6 Wall Base Detail
3" = 1'-0"



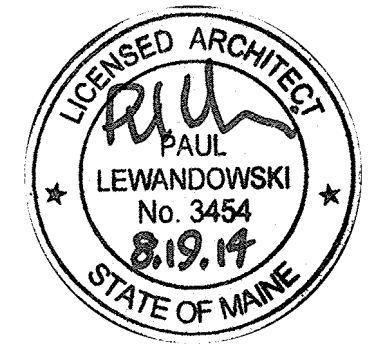
8 Fireplace Elevation
1/2" = 1'-0"



7 Plan Detail @ Fireplace
3/4" = 1'-0"



9 Section @ Fireplace
1/2" = 1'-0"



A701

Scale As indicated

© 2014 Paul Lewandowski

8/19/2014 9:11:09 PM