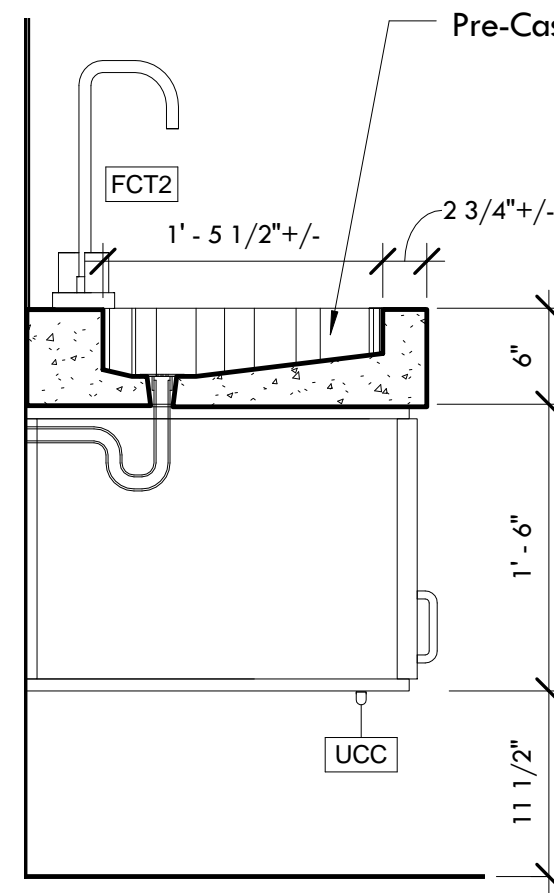
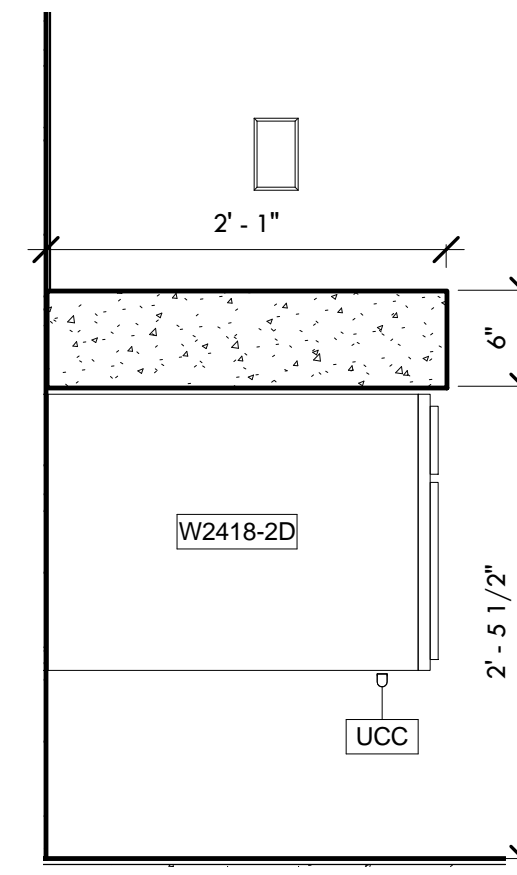


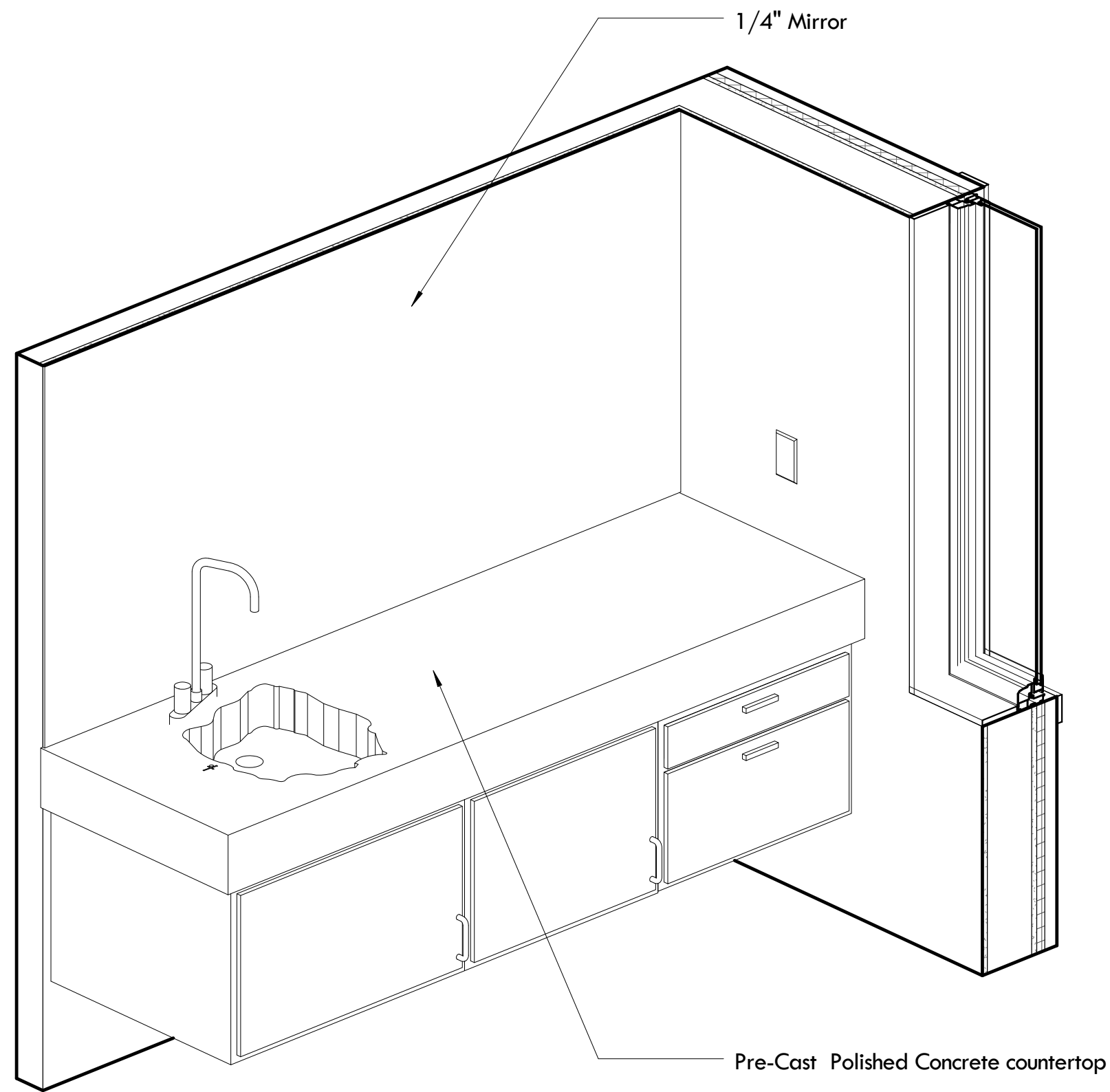
① Back Cove Sink - Plan  
1" = 1'-0"



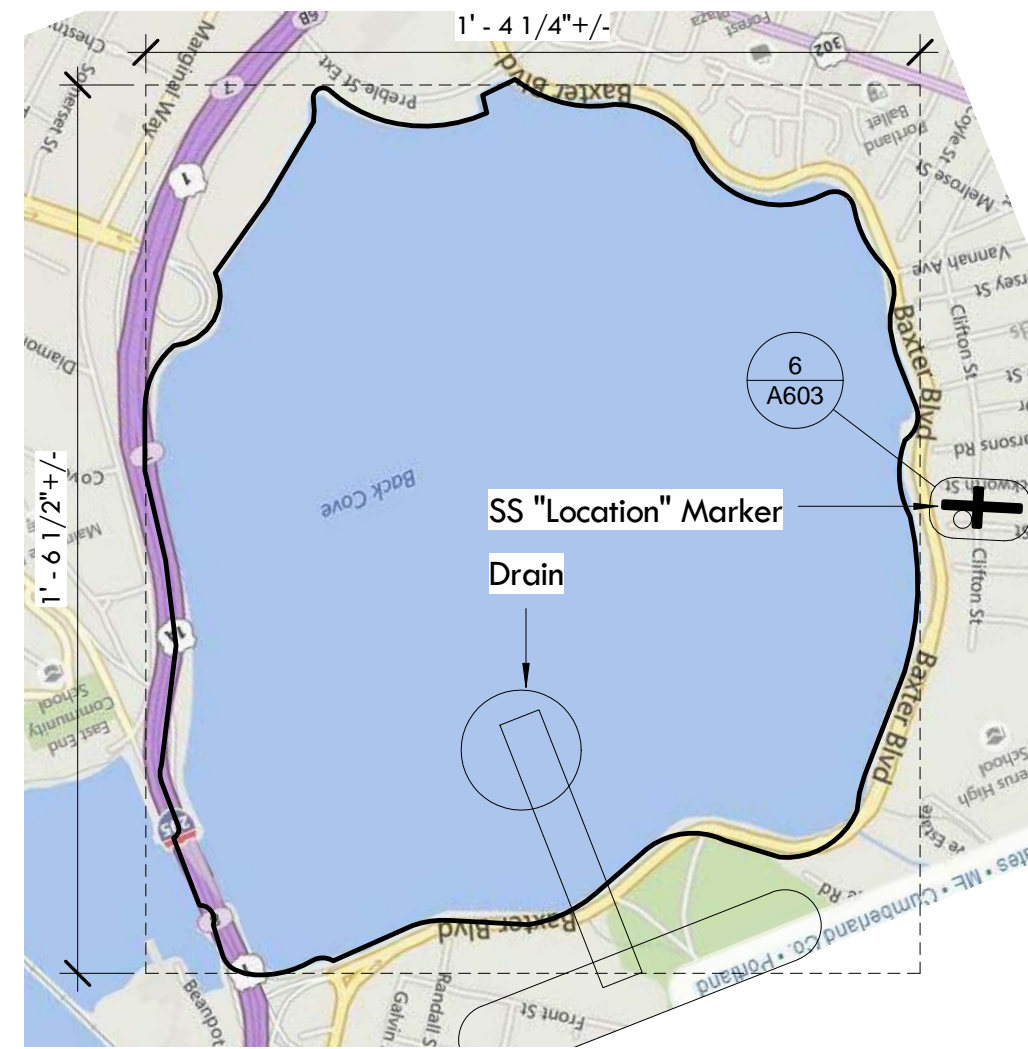
② Back Cove Sink - Section @ Basin  
1" = 1'-0"



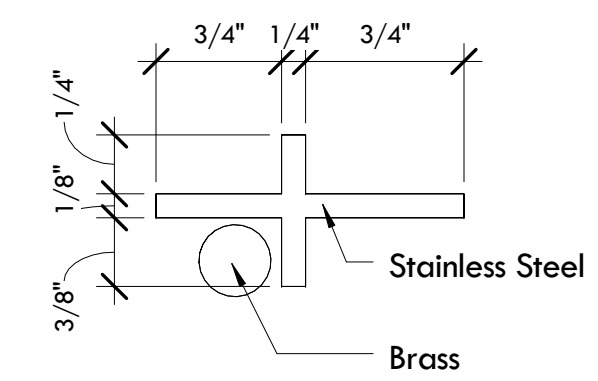
③ Back Cove Sink - Section @ Countertop  
1" = 1'-0"



④ Back Cove Sink



⑤ Back Cove Sink - Basin  
3" = 1'-0"



⑥ Back cover Sink - Marker  
12" = 1'-0"