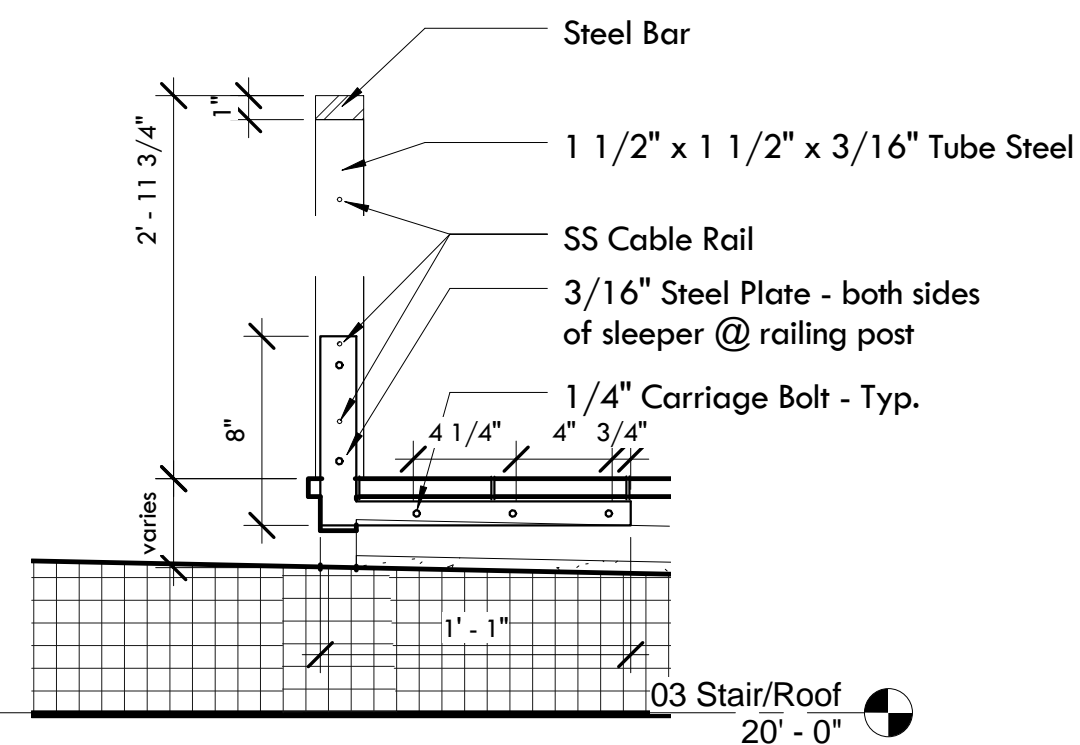
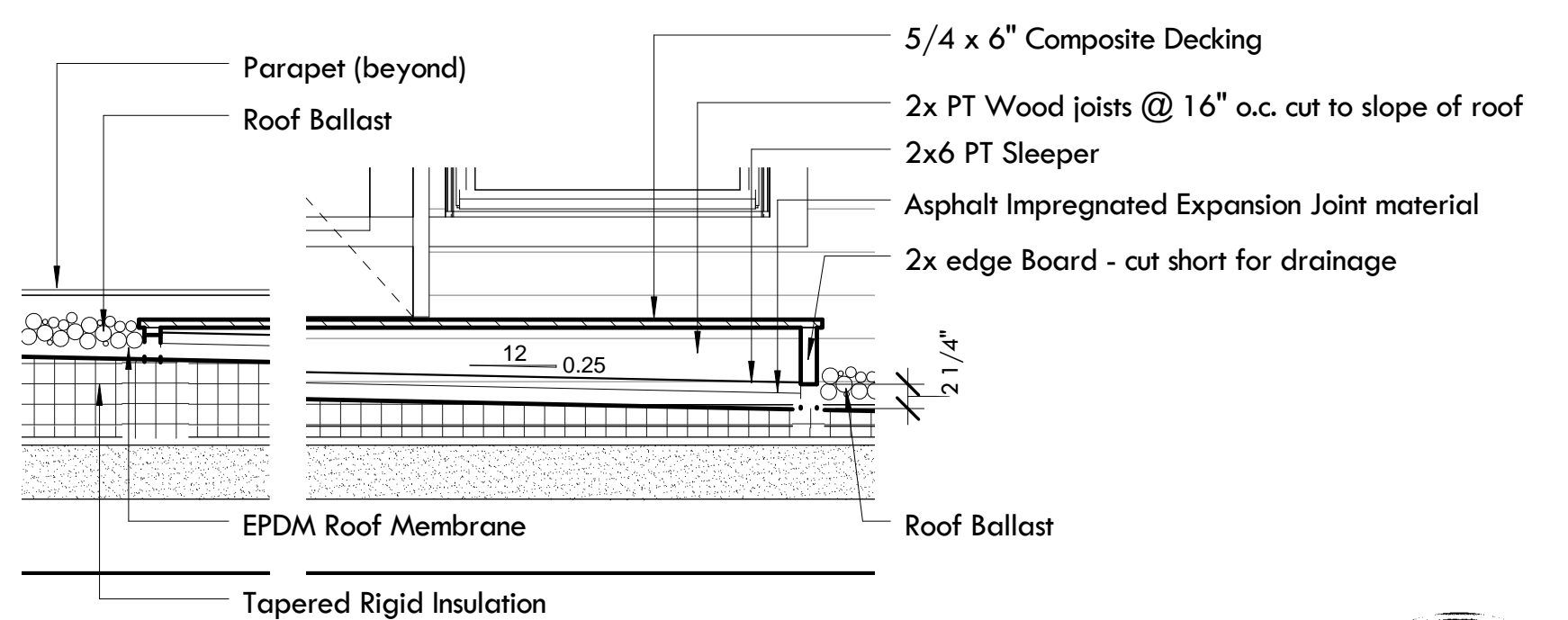


1 03 Stair/Roof
1/4" = 1'-0"

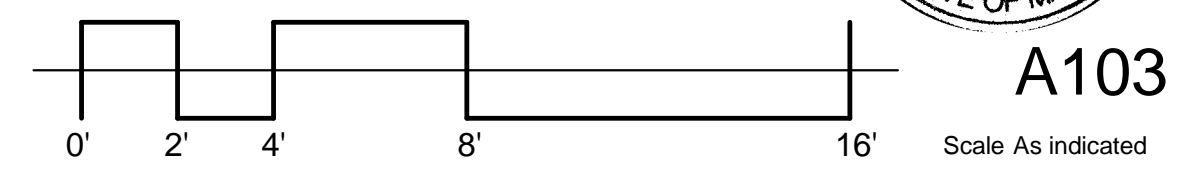
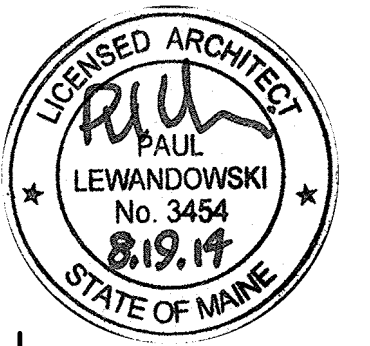
2 04 Roof of Stair
1/4" = 1'-0"



4 Section @ Roof Railing
1 1/2" = 1'-0"



3 Wall Section @ Roof Deck
3/4" = 1'-0"



A103