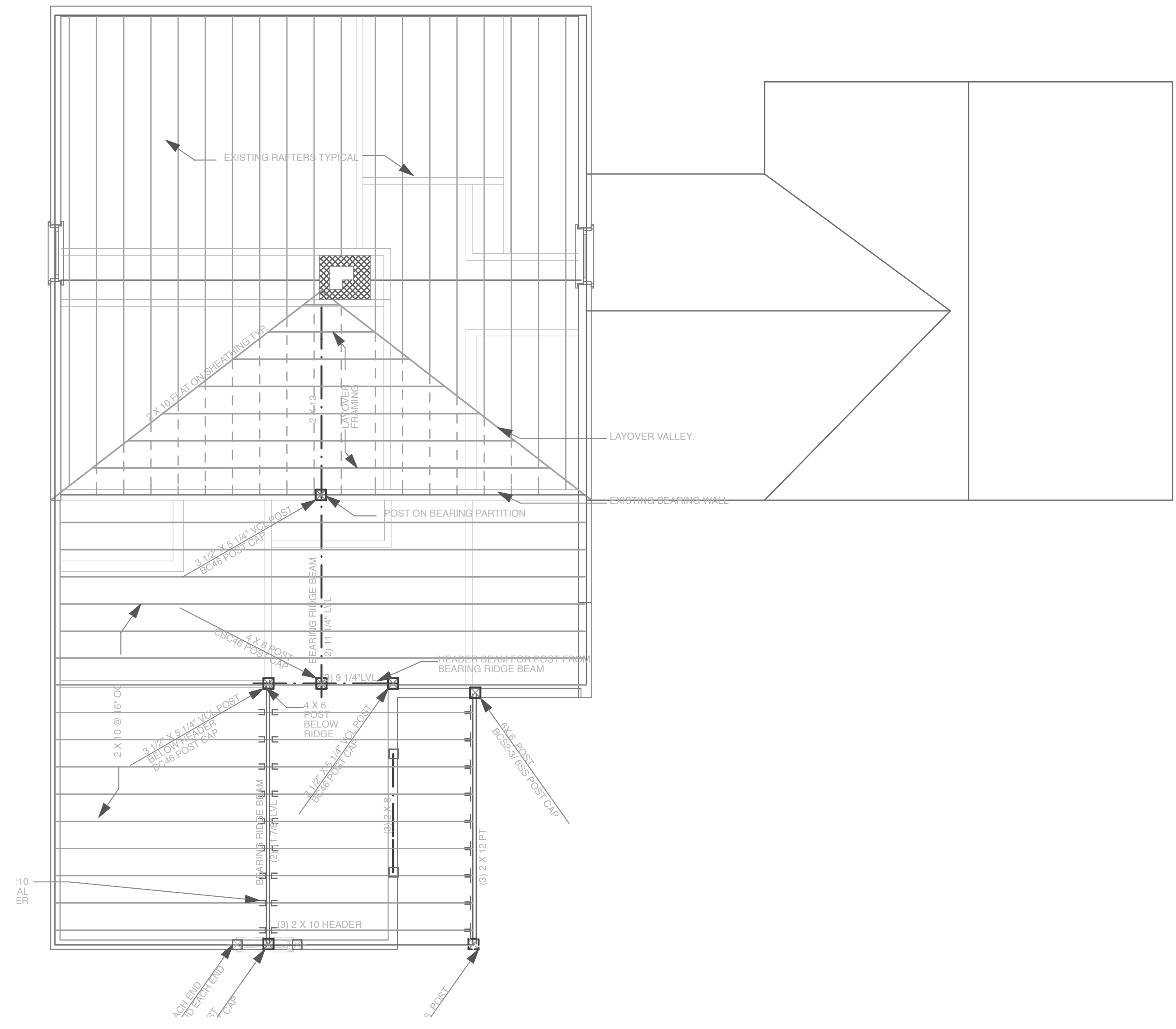


2ND FLOOR FRAMING

1/4" = 1'-0"

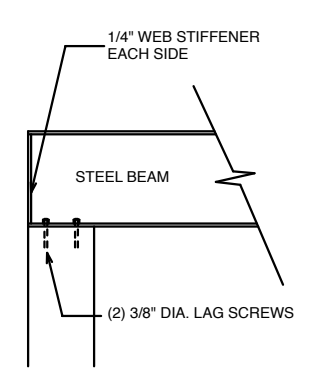


ROOF FRAMING PLAN

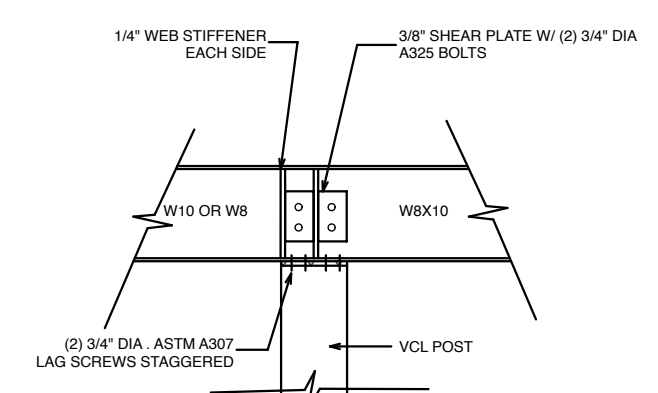
1/4" = 1'-0"

3

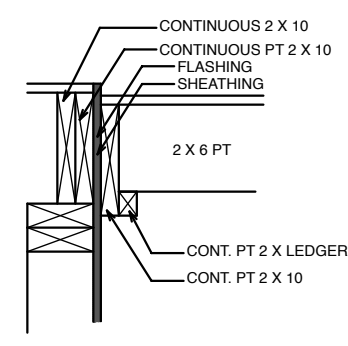
1



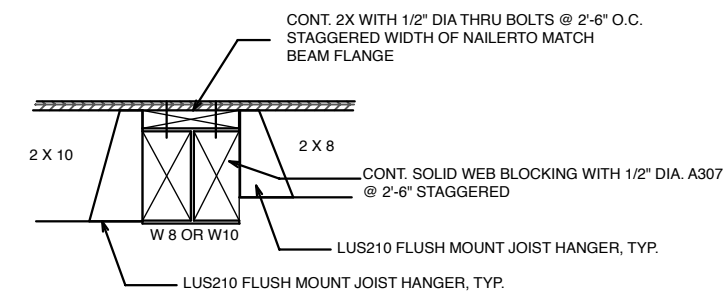
TYPICAL STL BEAM TO WOOD POST CONN 3/4" = 1'-0"



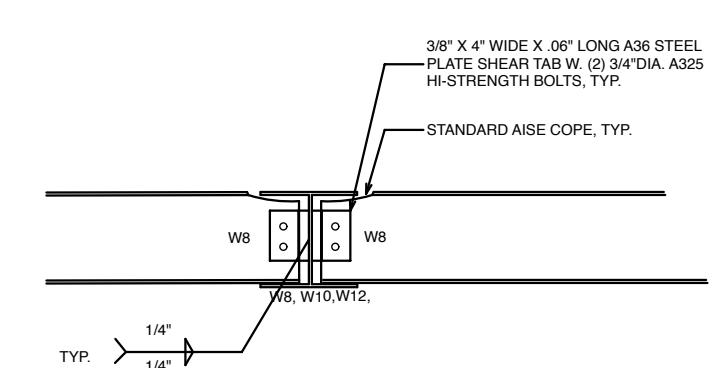
SECTION A 3/4" = 1'-0"



SECTION B 3/4" = 1'-0"



SECTION C 3/4" = 1'-0"



SECTION F 3/4" = 1'-0"

Architect:
Whitten Architects
 37 Silver Street
 Portland, Maine 04101
 Phone: 1-207-774-0111
 Fax: 1-207-774-1668

Contractor:
Scott's Home Improvement
 Scott LeClair

Portland, Maine
 Phone: -
 Fax: -

Structural Engineer:
SRG Engineering, Inc.
 Gray, Maine
 207.657.7323

Drawing:

Date:
 07-20-2009
 PERMIT SET

Revised:

S-X2