

Location of Construction: 57 Mackworth St		Owner: Doughty, Paul		Phone:		Permit No.: 360490	
Owner Address:		Leasee/Buyer's Name:		Phone:		BusinessName:	
Contractor Name: David DiPietro		Address: 221 Virginia St Ptd, ME		Phone: 04103 797-9531		<div style="border: 2px solid black; padding: 5px; text-align: center;"> <b>PERMIT ISSUED</b>                  Permit Issued:  <b>JUN - 4 1996</b>  <b>CITY OF PORTLAND</b> </div>	
Past Use: 1-fam		Proposed Use: Same		<b>COST OF WORK:</b> \$ 15,000.00		<b>PERMIT FEE:</b> \$ 95.00	
Proposed Project Description: Construct Deck (16 x 10) Rebuild/Enlarge breezeway				<b>FIRE DEPT.</b> <input type="checkbox"/> Approved <input type="checkbox"/> Denied		<b>INSPECTION:</b> Use Group: Type:	
				Signature:		Signature:	
Permit Taken By: Mary Gresik				Date Applied For: 31 May 1996			

1. This permit application doesn't preclude the Applicant(s) from meeting applicable State and Federal rules.
2. Building permits do not include plumbing, septic or electrical work.
3. Building permits are void if work is not started within six (6) months of the date of issuance. False information may invalidate a building permit and stop all work..

PERMIT ISSUED WITH REQUIREMENTS

**CERTIFICATION**

I hereby certify that I am the owner of record of the named property, or that the proposed work is authorized by the owner of record and that I have been authorized by the owner to make this application as his authorized agent and I agree to conform to all applicable laws of this jurisdiction. In addition, if a permit for work described in the application issued, I certify that the code official's authorized representative shall have the authority to enter all areas covered by such permit at any reasonable hour to enforce the provisions of the code(s) applicable to such permit

SIGNATURE OF APPLICANT *David DiPietro* ADDRESS: 221 VIRGINIA ST DATE: 31 May 1996 PHONE: 7979531

RESPONSIBLE PERSON IN CHARGE OF WORK, TITLE *SAME* PHONE:

Zone: CBL: 139-D-012

Zoning Approval:

**Special Zone or Reviews:**

Shoreland  
 Wetland  
 Flood Zone  
 Subdivision  
 Site Plan maj  minor  mm

**Zoning Appeal**

Variance  
 Miscellaneous  
 Conditional Use  
 Interpretation  
 Approved  
 Denied

**Historic Preservation**

Not in District or Landmark  
 Does Not Require Review  
 Requires Review

**Action:**

Approved  
 Approved with Conditions  
 Denied

Date: 5/31/96

CEO DISTRICT

COMMENTS

9-16-86 Check & all complete

Inspection Record

Type	Date
Foundation: _____	_____
Framing: _____	_____
Plumbing: _____	_____
Final: _____	_____
Other: _____	_____

BUILDING PERMIT REPORT

DATE: 31/MAY/96 ADDRESS: 57 Mackwork St  
 REASON FOR PERMIT: To Construct 10'x16' deck on  
 BUILDING OWNER: Paul Doughty  
 CONTRACTOR: DAVID P. PIETRO APPROVED: \*1 \*1 \*13 \*16  
 PERMIT APPLICANT: \_\_\_\_\_ DENIED: \_\_\_\_\_

CONDITION OF APPROVAL OR DENIAL

1. Before concrete for foundation is placed, approvals from ~~the Development Review Coordinator and~~ Inspection Services must be obtained. (A 24 hour notice is required prior to inspection)
2. Precaution must be taken to protect concrete from freezing.
3. It is strongly recommended that a registered land surveyor check all foundation forms before concrete is placed. This is done to verify that the proper setbacks are maintained.
4. All vertical openings shall be enclosed with construction having a fire rating of at least one(1) hour, including fire doors with selfclosers.
5. Each apartment shall have access to two(2) separate, remote and approved means of egress. A single exit is acceptable when it exits directly from the apartment to the building exterior with no communications to other apartment units.
6. The boiler shall be protected by enclosing with one(1) hour fire-rated construction including fire doors and ceiling, or by providing automatic extinguishment. Sprinkler piping serving not more than six sprinklers may be connected to a domestic water supply having a capacity sufficient to provide 0.15 gallons per minute, per square foot of floor throughout the entire area. An INDICATING shut-off valve shall be installed in an accessible location between the sprinkler and the connection to the domestic water supply. Minimum pipe size shall be 3/4 inch copper or 1 inch steel. Maximum coverage area of a residential sprinkler is 144 sq. feet per sprinkler.
7. Every sleeping room below the fourth story in buildings of Use Groups R and I-1 shall have at least one operable window or exterior door approved for emergency egress or rescue. The units must be operable from the inside without the use of special knowledge or separate tools. Where windows are provided as means of egress or rescue, they shall have a sill height not more than 44 inches (1118mm) above the floor. All egress or rescue windows from sleeping rooms shall have a minimum net clear opening height dimension of 24 inches (610mm). The minimum net clear opening width dimension shall be 20 inches (508 mm), and a minimum net clear opening of 5.7 sq. feet.
8. A portable fire extinguisher shall be located as per NFPA #10. They shall bear the label of an approved agency and be of an approved type.
9. All single and multiple station smoke detectors shall be of an approved type and shall be installed in accordance with the provisions of the City's building code Chapter 9, section 19, 919.3.2(BOCA National Building Code/1993), and NFPA 101 Chapter 18 & 19. (Smoke detectors shall be installed and maintained at the following locations):

1. In the immediate vicinity of bedrooms
2. In all bedrooms
3. In each story within a dwelling unit, including basements

In addition to the required AC primary power source, required smoke detectors in occupancies in Use Groups R-2, R-3 and I-1 shall receive power from a battery when the AC primary power source is interrupted.

10. Private garages located beneath habitable rooms in occupancies in Use Group R-1, R-2, R-3 or I-1 shall be separated from adjacent interior spaces by fire partitions and floor/ceiling assembly which are constructed with not less than 1-hour fire resisting rating. Private garages attached side-by-side to rooms in the above occupancies shall be completely separated from the interior spaces and the attic area by means of 1/2 inch gypsum board or the equivalent applied to the garage side. (Chapter 4 section 407.0 of the BOCA/1993)

\*11. Guardrail & Handrails-A guardrail system is a system of building components located near the open sides of elevated walking surfaces for the purpose of minimizing the possibility of an accidental fall from the walking surface to the lower level. Minimum height all Use Groups 42", except Use Group R which is 36". In occupancies in Use Group A, B, H-4, I-1, I-2 M and R and public garages and open parking structures, open guards shall have balusters or be of solid material such that a sphere with a diameter of 4" cannot pass through any opening. Guards shall not have an ornamental pattern that would provide a ladder effect.

12. All exit signs, lights, and means of egress lighting shall be done in accordance with Chapter 10, section & subsections 1023. & 1024. of the City's building code. (The BOCA National Building Code/1993)

\*13. Stair construction in Use Group R-3 & R-4 is a minimum of 9" tread and 8-1/4" maximum rise. ~~All other Use Group minimum 11" tread, 7" maximum rise.~~

14. Headroom in habitable space is a minimum of 7'6".


15. The minimum headroom in all parts of a stairway shall not be less than 80 inches.

\*16. All construction and demolition debris must be disposed at the City's authorized reclamation site. The fee rate is attached. Proof of such disposal must be furnished to the office of Inspection Services before final Certificate of Occupancy is issued or demolition permit is granted.

17. Section 25-135 of the Municipal Code for the City of Portland states, "No person or utility shall be granted a permit to excavate or open any street or sidewalk from the time of November 15 of each year to April 15 of the following year".

18. The builder of a facility to which Section 4594-C of the Maine State Human Rights Act, Title 5 MRSA refers, shall obtain a certification from a design professional that the plans of the facility meet the standards of construction required by this section. Prior to commencing construction of the facility, the builder shall submit the certification to the Division of Inspection Services.

19. This permit does not excuse the applicant from obtaining any license which may be needed from the City Clerk's Office.

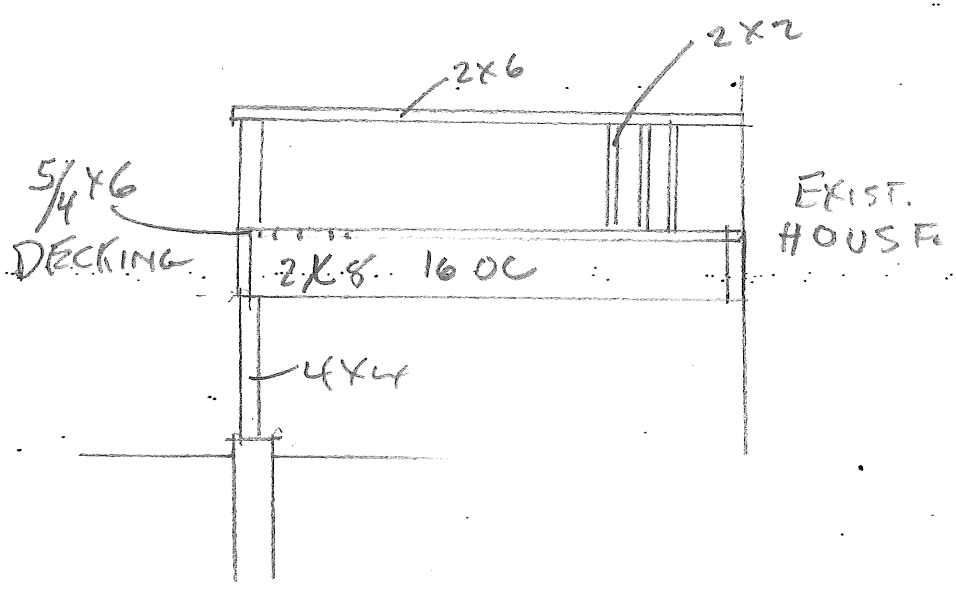
  
P. Samuel Hoffses, Chief of Inspection Services

/el 3/16/95

please check off the appropriate description

FOUNDATION	_____	Frost Wall, min 4" below grade. 8" thick
	<u>✓</u>	Sono Tube, 4" below grade. 6" min. on footing, hard pan or bedrock.
	_____	Other
SILL	_____	Size
SPAN OF SILL	_____	Distance between foundation supports
JOISTS SPAN	<u>10'</u>	_____
JOISTS SIZE	_____	2 x 6 <u>2 x 8</u> 2 x 10
DISTANCE BETWEEN JOISTS	_____	<u>16" O.C.</u> 24" O.C.    other
DECKING	_____	<u>5/4</u> other explain
GUARD HEIGHT	_____	36"    42"
DISTANCE BETWEEN BALUSTER	_____	4" spacing between
STAIR CONSTRUCTION	_____	minimum 9" tread maximum 8 1/4" rise

please use space below for drawing of deck with measurements.

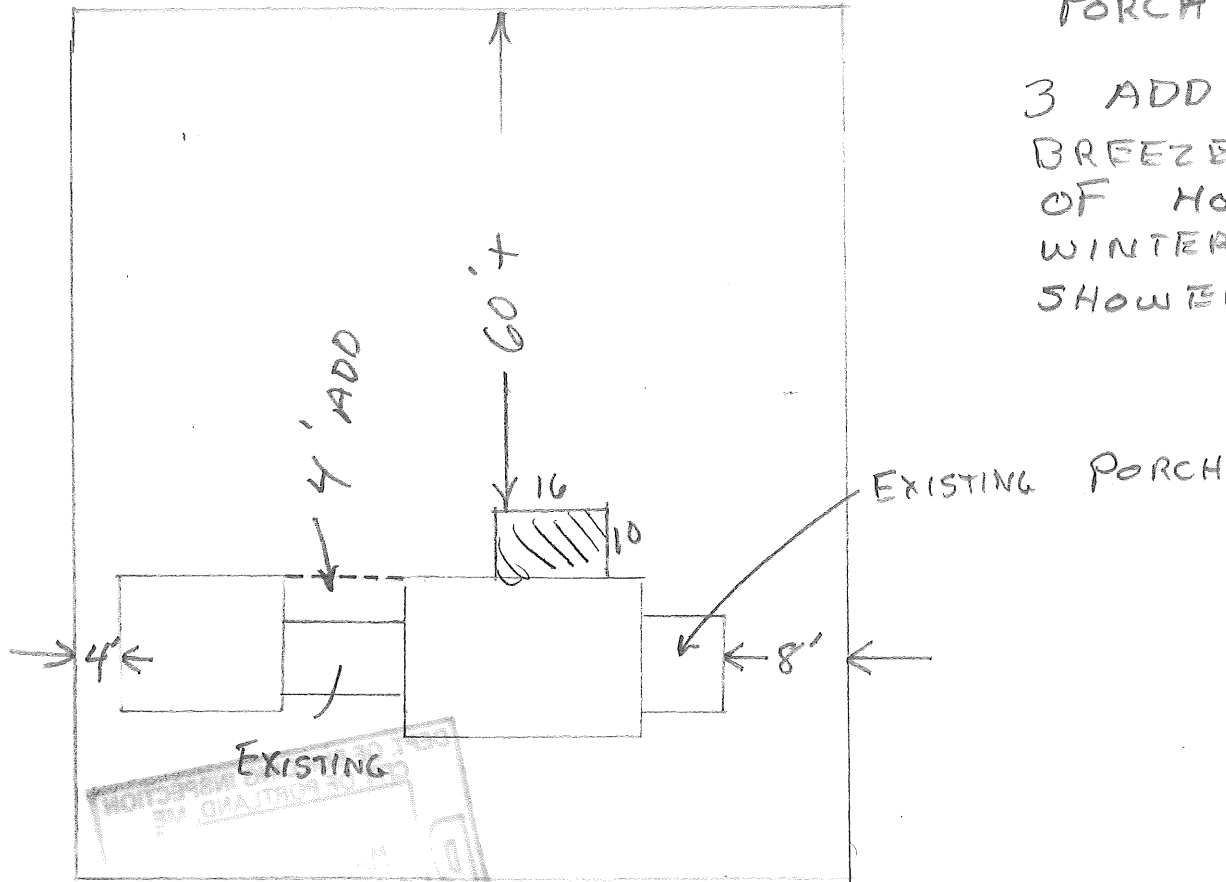


# Plot Plan

1. NEW 10 X 16 DECK

2. WINTERIZE EXISTING PORCH

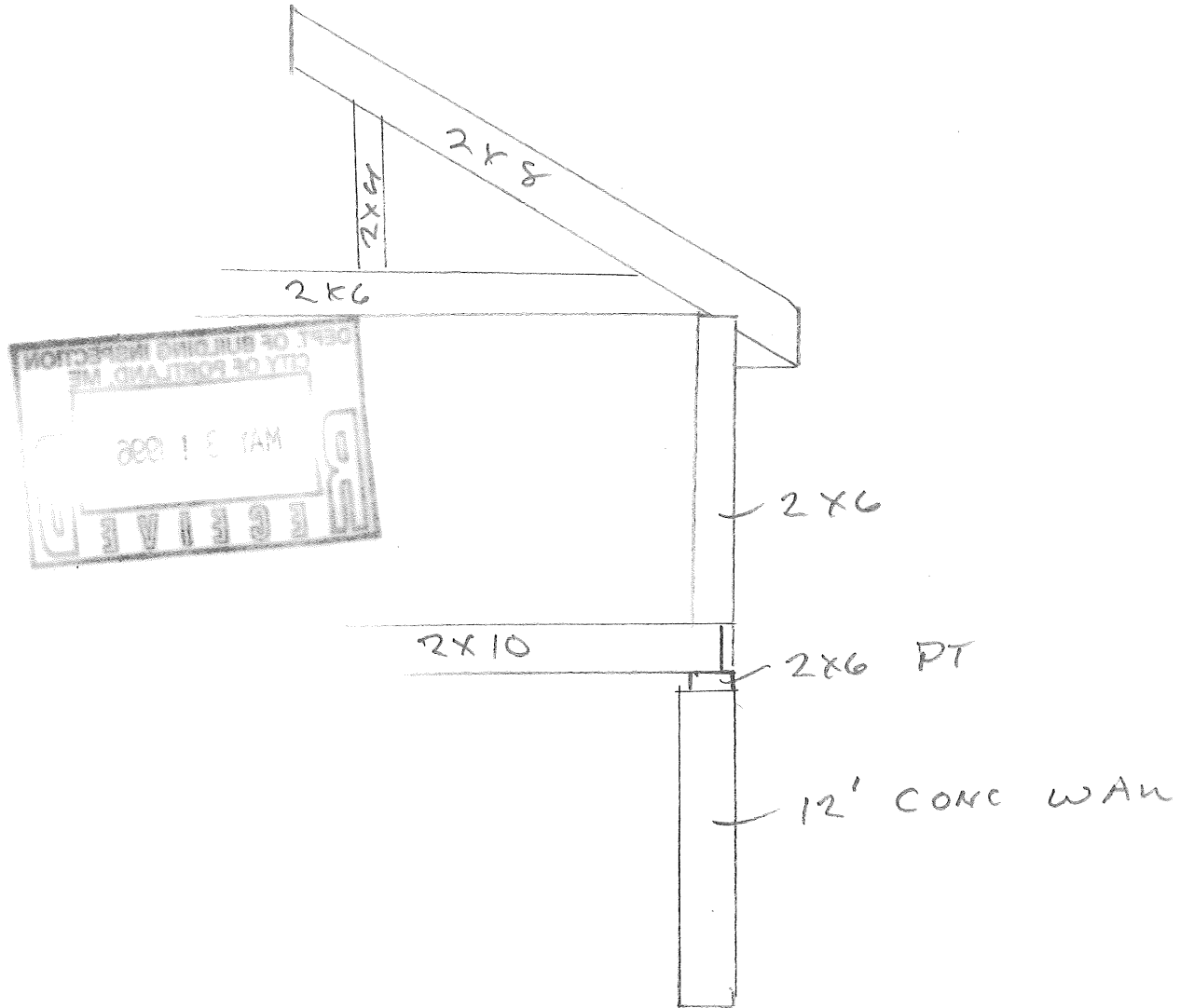
3. ADD 4' TO EXISTING BREEZEWAY TO BACK OF HOUSE AND WINTERIZE. ADD SHOWER & TOILET



57 MACKEWORTH ST

57

MACK WORTH ST



# PLUMBING APPLICATION

Department of Human Services  
Division of Health Engineering  
(207) 289-3826

## PROPERTY ADDRESS

Town Or Plantation: Portland  
Street Subdivision Lot #: 57 Mackworth ST

## PROPERTY OWNERS NAME

Last: Dougherty First: John  
Applicant Name: Philip Snyder  
Mailing Address of Owner/Applicant (If Different): 434 Auburn ST, Portland

PORTLAND 5779 TOWN COPY  
Date Permit Issued: 6/18/96 \$ 110 FEE  If Double Fee Charged  
Local Plumbing Inspector Signature: [Signature] L.P.I. # 0124

## Owner/Applicant Statement

I certify that the information submitted is correct to the best of my knowledge and understand that any falsification is reason for the Local Plumbing Inspector to deny a Permit.

Signature of Owner/Applicant: [Signature] Date: 6/18/96

## Caution: Inspection Required

I have inspected the installation authorized above and found it to be in compliance with the Maine Plumbing Rules.

Local Plumbing Inspector Signature: Arthur Rowe Date Approved: 6-26-96

## PERMIT INFORMATION

This Application is for	Type Of Structure To Be Served:	Plumbing To Be Installed By:
1. <input type="checkbox"/> NEW PLUMBING 2. <input type="checkbox"/> RELOCATED PLUMBING	1. <input checked="" type="checkbox"/> SINGLE FAMILY DWELLING 2. <input type="checkbox"/> MODULAR OR MOBILE HOME 3. <input type="checkbox"/> MULTIPLE FAMILY DWELLING 4. <input type="checkbox"/> OTHER — SPECIFY _____	1. <input checked="" type="checkbox"/> MASTER PLUMBER 2. <input type="checkbox"/> OIL BURNERMAN 3. <input type="checkbox"/> MFG'D. HOUSING DEALER / MECHANIC 4. <input type="checkbox"/> PUBLIC UTILITY EMPLOYEE 5. <input type="checkbox"/> PROPERTY OWNER LICENSE # <u>000008470</u>

Hook-Up & Piping Relocation Maximum of 1 Hook-Up	Column 2		Column 1	
	Number	Type of Fixture	Number	Type of Fixture
HOOK-UP: to public sewer in those cases where the connection is not regulated and inspected by the local Sanitary District.  <b>OR</b> HOOK-UP: to an existing subsurface wastewater disposal system.		Hosebibb / Sillcock		Bathtub (and Shower)
		Floor Drain	1	Shower (Separate)
PIPING RELOCATION: of sanitary lines, drains, and piping without new fixtures.		Urinal		Sink
		Drinking Fountain	1	Wash Basin
Number of Hook-Ups & Relocations		Indirect Waste	1	Water Closet (Toilet)
\$ Hook-Up & Relocation Fee		Water Treatment Softener, Filter, etc.	1	Clothes Washer
		Grease / Oil Separator		Dish Washer
<b>OR</b> TRANSFER FEE [\$6.00]		Dental Cuspidor		Garbage Disposal
		Bidet		Laundry Tub
		Other: _____		Water Heater
		<b>Fixtures (Subtotal) Column 2</b>		<b>Fixtures (Subtotal) Column 1</b>
			4	<b>Fixtures (Subtotal) Column 2</b>
				<b>Total Fixtures</b>
				<b>Fixture Fee</b>
				<b>Transfer Fee</b>
				<b>Hook-Up &amp; Relocation Fee</b>
				<b>Permit Fee (Total)</b>

SEE PERMIT FEE SCHEDULE FOR CALCULATING FEE

\$	
\$	
\$	
\$	110