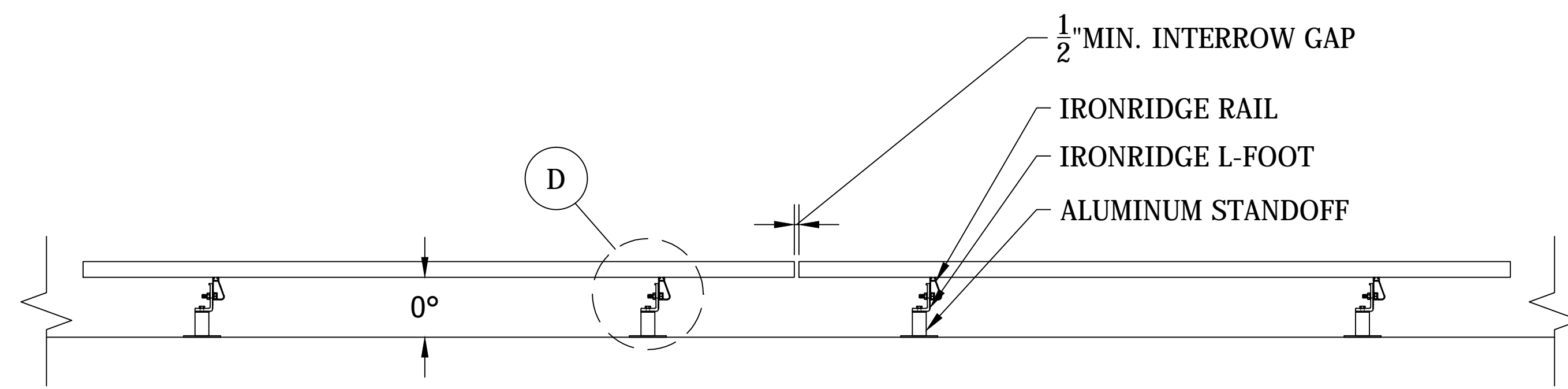
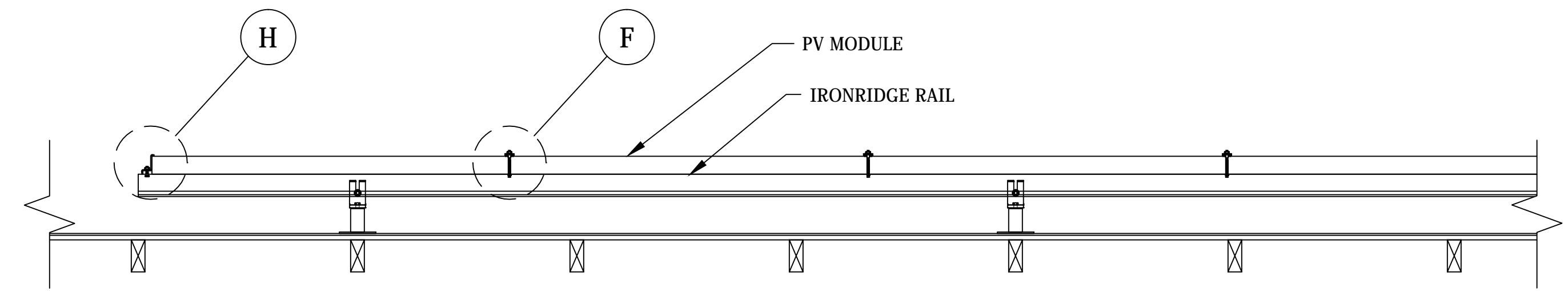


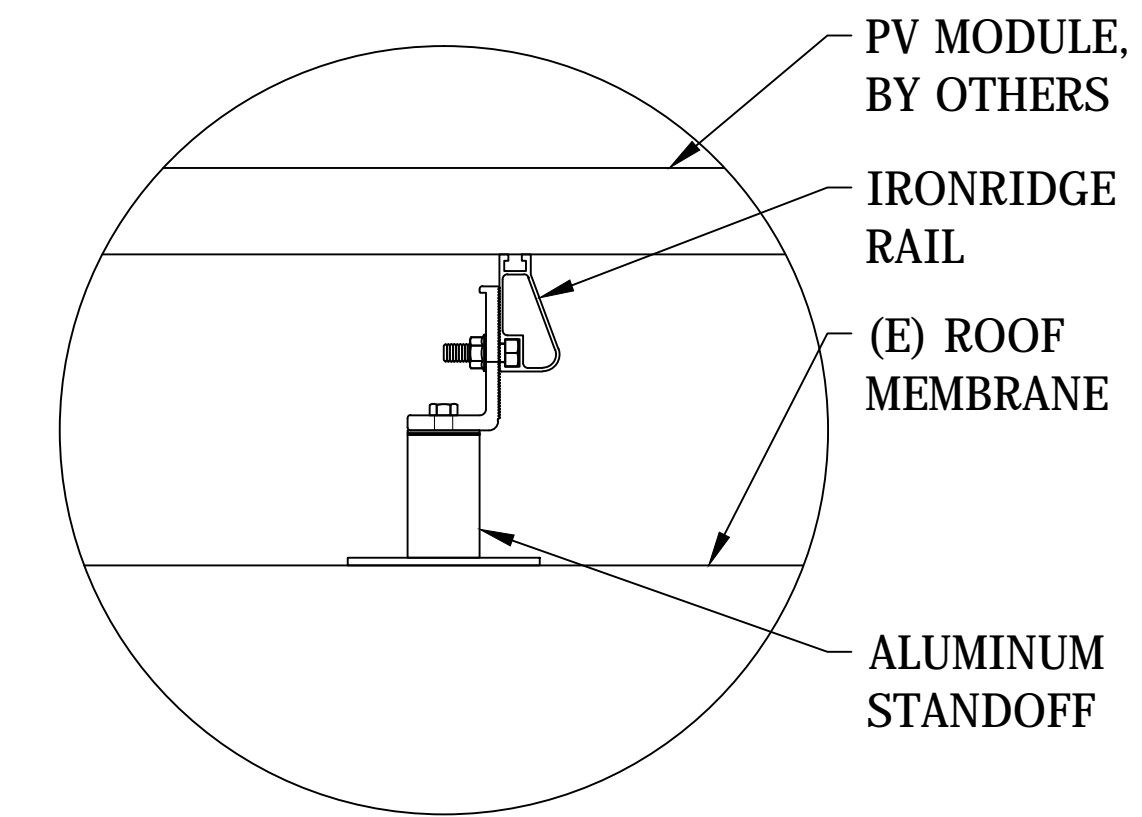
A PLAN VIEW, FLUSH MOUNT ON FLAT ROOF
Scale: 1" = 1'-0"



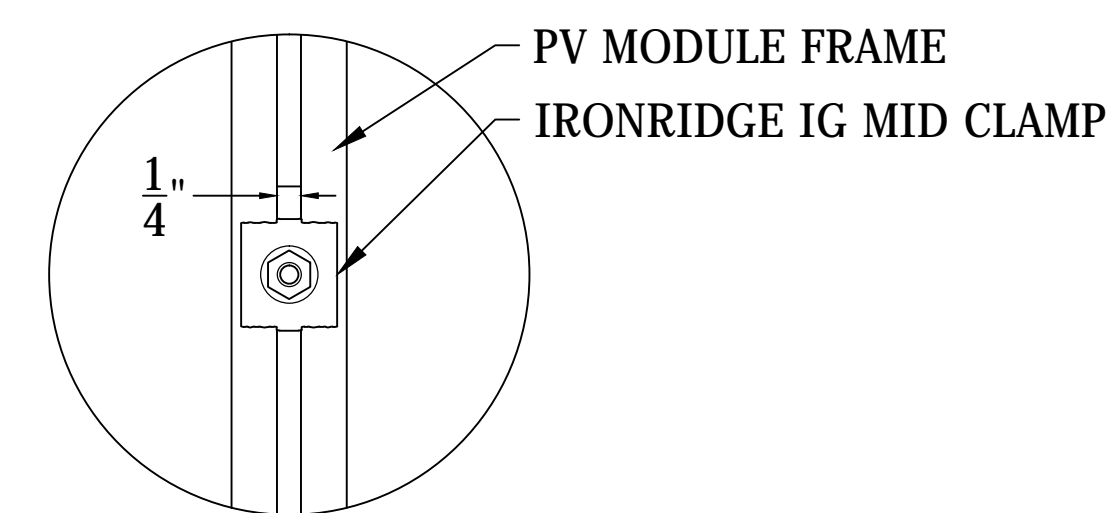
B SIDE VIEW, FLUSH MOUNT ON FLAT ROOF
Scale: 1" = 1'-0"



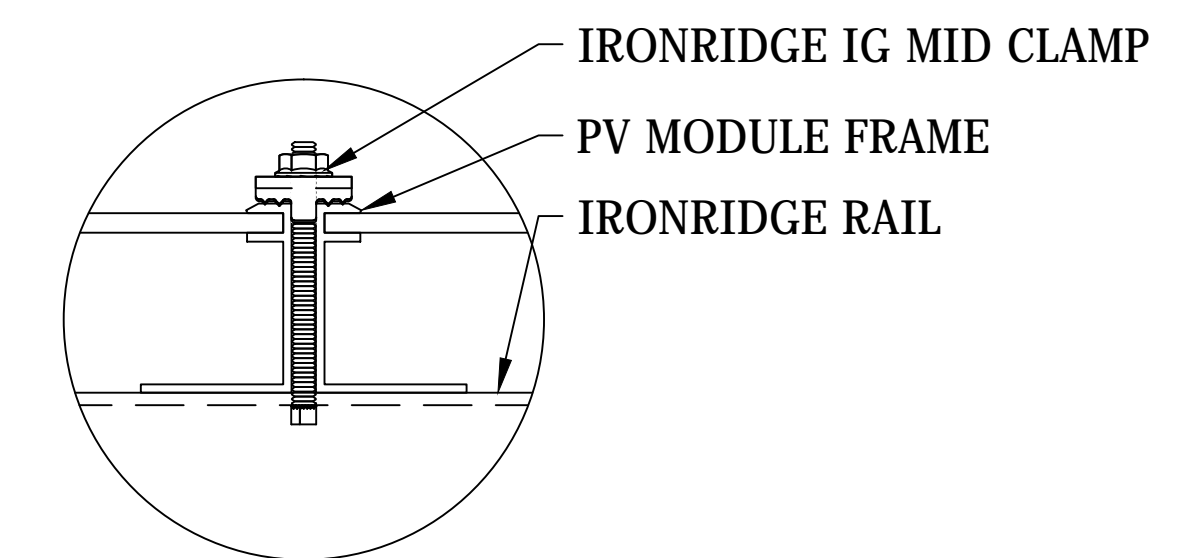
C FRONT VIEW, FLUSH MOUNT ON FLAT ROOF
Scale: 1" = 1'-0"



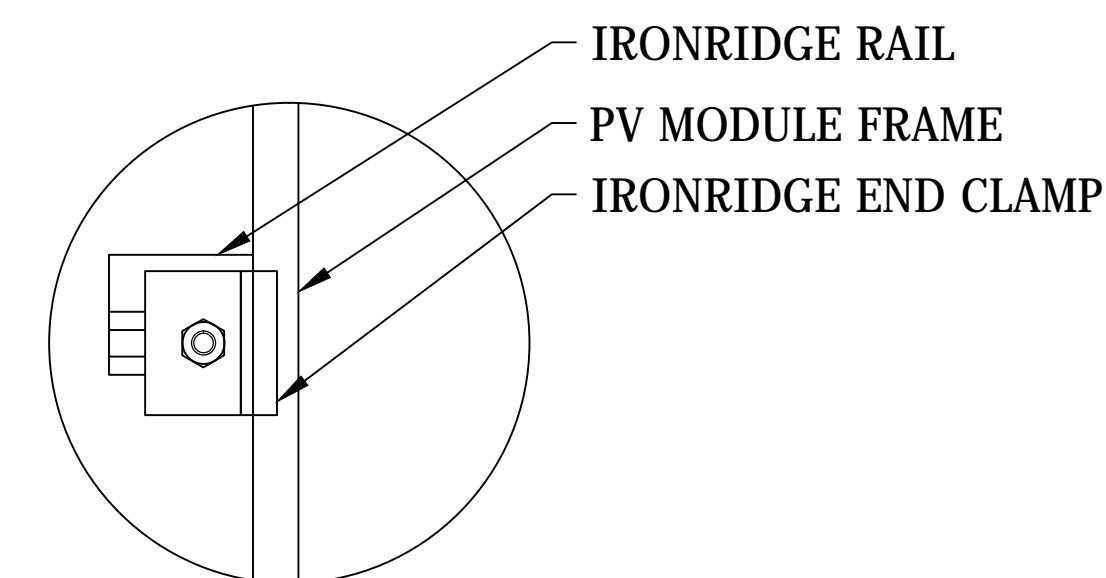
D STANDOFF DETAIL
Scale: 3" = 1'-0"



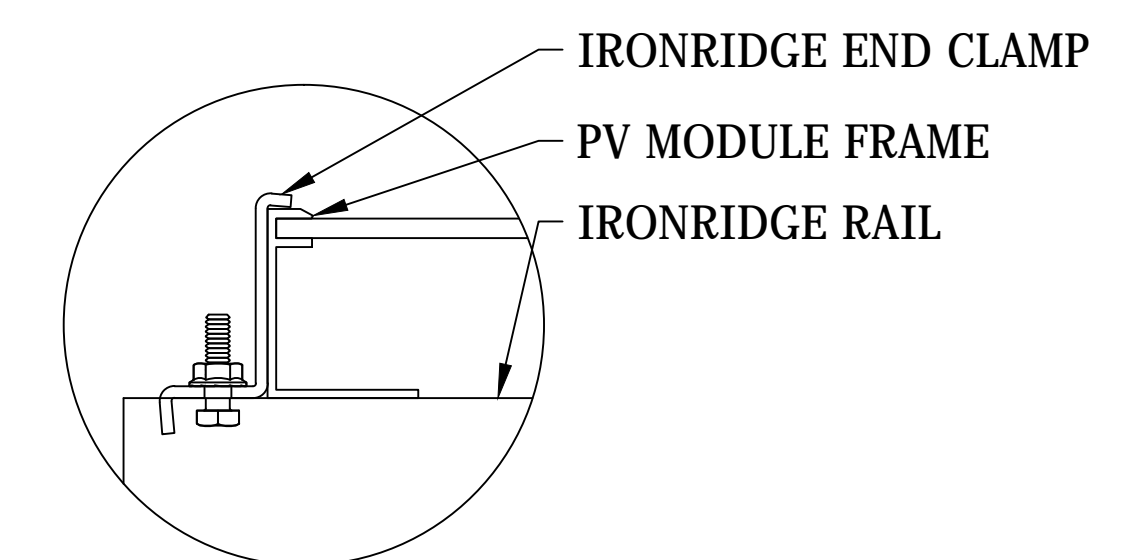
E DETAIL, MID CLAMP PLAN
Scale: 6" = 1'-0"



F DETAIL, MID CLAMP FRONT
Scale: 6" = 1'-0"



G DETAIL, END CLAMP PLAN
Scale: 6" = 1'-0"



H DETAIL, END CLAMP FRONT
Scale: 6" = 1'-0"