

October 2, 2015

City of Portland

Department of Planning

389 Congress St. 4<sup>th</sup> Floor

Portland ME 04101

Att. Ms. Barbara Barhydt

Barbara,

Enclosed please find design prints for the alteration of an existing freestanding sign at 788 Forest Ave. Our client, Domino's Pizza, seeks approval to remove existing signage, and install new signage.

The resulting sign will need to be higher than the existing sign, to accommodate the clearance that is needed for pedestrians, and site visibility for passing motorists.

While we were prepared to maintain the sign at its existing height, allowing for a clearance of approximately 5', upon careful review, we feel the best way to clean up the current sign is to raise it just a few feet, in consideration of any issues that might occur from maintaining a clearance of less than 8'.

Our proposal cleans up the current sign, and offers a more aesthetically pleasing look to the site. It brings the pylon sign more into design compliance, with the current Domino's wall signage. It allows Domino's to maintain its identity on the existing sign structure – moving the sign away from its current location is virtually impossible based on the existing parking lot and surrounding sidewalks.

It is our hope your office can sign off on the enclosed proposal; please don't hesitate to contact me should you have additional questions.

Thank you for your time!

 Jenn Robichaud | Permits, Planning and Zoning

**Barlo Signs | *Your image is our business!***  
158 Greeley St. Hudson NH 03051-3422  
PH: 603-882-2638 or 800 227 5674 x 333  
FX: 603-882-7680

JOB#:

**ITEM MANUFACTURING**

Barlo Sub Other: \_\_\_\_\_

**ITEM INSTALLATION**

Barlo Sub Other: \_\_\_\_\_

**ITEM SCOPE OF WORK**

ITEM A - MANUFACTURE & INSTALL (1) D/F INTERNALLY ILLUMINATED PYLON SIGN

Sign Area: 63.3 SQF

**GENERAL NOTES**

**SITE SURVEY REQUIRED**

**COLORS**

**SIGN - DOMINOV'S**  
Cabinet: PTM PMS COOL GRAY 4c  
Retainer: 1" PTM PMS COOL GRAY 4c  
Face B/G: WHITE LEXAN  
Copy: RED 3630-33 & INTENSE BLUE 3630-127 APPLIED VINYL

**SIGN - THANH THANH 2**  
Cabinet: PTM PMS COOL GRAY 4c  
Retainer: 2" PTM PMS COOL GRAY 4c  
Face B/G: WHITE LEXAN  
Copy: DIGITALLY PRINTED APPLIED VINYL

**POLES**

Pole: 6" STEEL POLE PTM PMS COOL GRAY 4c  
ALL COLORS ARE FOR REPRESENTATION ONLY. SEE ACTUAL SAMPLES FOR COLOR MATCH.

**SIGN DISPOSITION**

Store for Barlo  Leave @ Site  Dispose  
 Store for Customer  Changeable  N/A

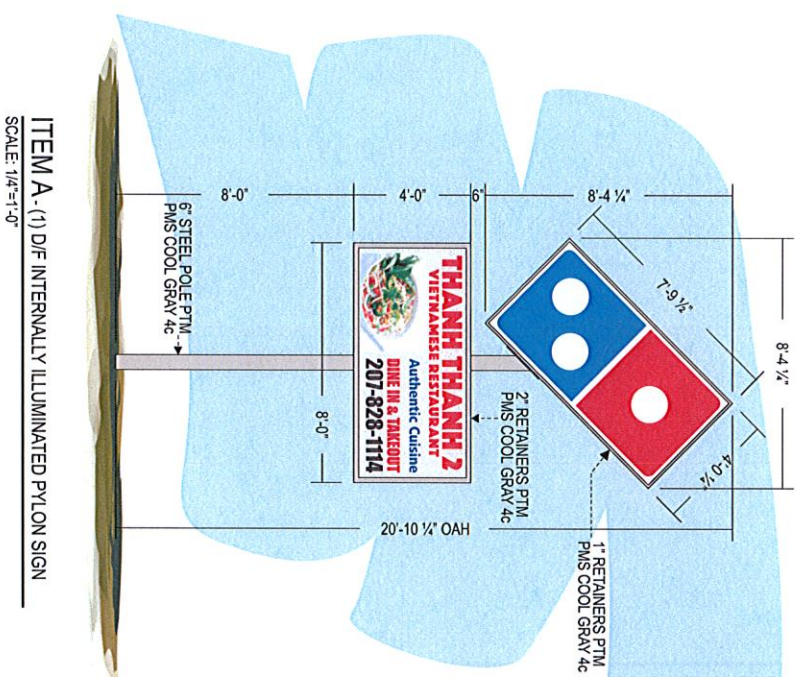
**MANUFACTURING INFORMATION**

S/F (D/F) (TL) Non-ILL  
Interior (Extend) Custom Extrusion  
Cabinet Depth: 18" Ret.Size: 1"  
Framing: Steel Alum.  
Face Mat: LEXAN Th: 3/16"  
Copy: VINYL

UL Sticker Loc: (Smb) Top  
Illumination: Fluorescent Neon (LED)  
HID Other  
Ballast: Standard (Electronic)

**POLE COVER**

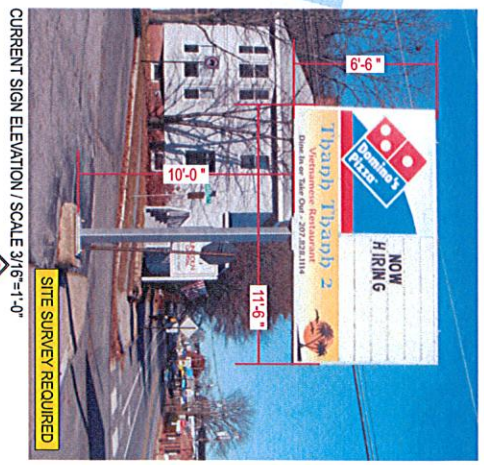
Non-Illum Illum Standard Custom  
Hgt: \_\_\_\_\_ Depth: \_\_\_\_\_  
Material: \_\_\_\_\_



ITEM A - (1) D/F INTERNALLY ILLUMINATED PYLON SIGN  
SCALE: 1/4"=1'-0"

ELECTRIC	Existing	Required	STEEL	Existing	Required
Circuits			Size		
Amp			Length		
Voltage			W. Thickness		
U.L.			Sub Size		
Notes:			Sub Length		
			W. Thickness		
			PLATE	W	L
			GUSSETS	W	L
				Th	Th

This sign is intended to be installed in accordance with the requirements of Article 610 of the National Electrical Code (NEC) and Article 612 of the International Building Code (IBC). This includes proper grounding and bonding of the sign.



CURRENT SIGN ELEVATION / SCALE 3/16"=1'-0"  
SITE SURVEY REQUIRED



PROPOSED SIGN ELEVATION / SCALE 3/16"=1'-0"

**PROJECT APPROVAL - PRESALE** Job Name: DOMINOV'S

Design: \_\_\_\_\_ Date: \_\_\_\_\_  
Sales: \_\_\_\_\_ Date: \_\_\_\_\_

**PROJECT APPROVAL - PROD**

Design: \_\_\_\_\_ Date: \_\_\_\_\_  
Estimating: \_\_\_\_\_ Date: \_\_\_\_\_  
Engineering: \_\_\_\_\_ Date: \_\_\_\_\_  
Sales: \_\_\_\_\_ Date: \_\_\_\_\_  
Production: \_\_\_\_\_ Date: \_\_\_\_\_  
Installation: \_\_\_\_\_ Date: \_\_\_\_\_

Location: 788 Forest Ave, Portland ME  
Client: Design Specifications Accepted By: \_\_\_\_\_  
Landlord: \_\_\_\_\_  
Sales Rep: BARN  
Date: 12/1/14

© COPYRIGHT 2014 THE BARLO GROUP  
THIS SIGN IS THE PROPERTY OF THE BARLO GROUP. ALL RIGHTS ARE RESERVED BY THE BARLO GROUP.  
THE SIGN IS TO BE INSTALLED ON THE PROPERTY OF THE BARLO GROUP. THE SIGN IS TO BE INSTALLED ON THE PROPERTY OF THE BARLO GROUP.  
THE SIGN IS TO BE INSTALLED ON THE PROPERTY OF THE BARLO GROUP.

Completed By: \_\_\_\_\_ Date: \_\_\_\_\_

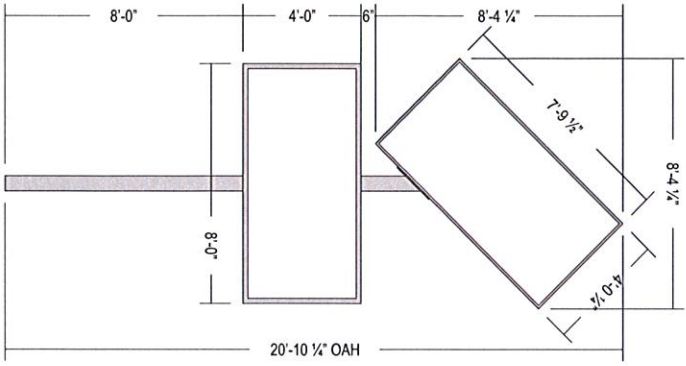
**DESIGN CHECKLIST**

Date	Comment
1-14-15	REMOVED OPTION 1
3-27-15	REMOVED ITEMS A - C PER SALES
4-13-15	REVISED ARTWORK PER CLIENT
10-1-15	REVISED CLEARANCE HEIGHT

File Name: Portland ME 141113812 CO 10-1  
**B-14-11-13812**  
SHEET: 1.0

**BARLO SIGNS**  
158 Greeley St., Hudson, NH 03051  
(603) 882-2838 Fax: (603) 882-7880  
For Service: 800-627-5874





MFG		PYLON SIGN JOB		CREW NEW PYLON JOB		Job Name: DOMINOS	
<input type="checkbox"/> Barfo	<input type="checkbox"/> Double Face	Steel Size: 6"	<input type="checkbox"/> Existing <input checked="" type="checkbox"/> New	Crane Hgt Req: ---	Elec Req: ---	Location: 788 Forest Ave, Portland MA	Drawn By: MO
<input type="checkbox"/> Barfolex	<input type="checkbox"/> Custom	Sub Pipe Req: ---	<input type="checkbox"/> Yes <input type="checkbox"/> No	ESD Req: ---	Elec Req: ---	Design Specifications Accepted By: ---	Sales Rep: BARN
<input type="checkbox"/> Sub	<input type="checkbox"/> Extrusion	Fluor <input type="checkbox"/> Neon <input type="checkbox"/> LED	LED	Base Insp Req: <input type="checkbox"/> Yes <input type="checkbox"/> No	ESD Req: <input type="checkbox"/> Yes <input type="checkbox"/> No	Client: ---	Proj. CD
<input type="checkbox"/> Other: ---	Retainer Size: 2" x 1"	Ballast: <input type="checkbox"/> Standard <input checked="" type="checkbox"/> Electronic <input type="checkbox"/> NA	NA	Sign Insp Req: <input type="checkbox"/> Yes <input type="checkbox"/> No	ESD Req: <input type="checkbox"/> Yes <input type="checkbox"/> No	Landlord: ---	Date: 12/1/14
<b>INSTALLATION</b>		Framing: <input type="checkbox"/> Steel <input type="checkbox"/> Alum.	PVS/SPR: STND	Quantity: 3	Watt(s):	<b>PROJECT APPROVAL</b>	
<input checked="" type="checkbox"/> Barfo	Cabinet Depth: 18"	Face Mat: <input type="checkbox"/> Alum <input type="checkbox"/> Flex <input type="checkbox"/> Lexan	TH31/6"	LED MISSISSAUGA	Color: WHITE	Design: ---	Date: ---
<input type="checkbox"/> Sub: ---	Copy: VINYL	Rows of LED: <input type="checkbox"/> 1 <input type="checkbox"/> 2	Other: ---	Police Detail Req: <input type="checkbox"/> Yes <input type="checkbox"/> No	Special Note: ---	Estimating: ---	Date: ---
<input type="checkbox"/> Other: ---	UL Location: <input type="checkbox"/> Snd <input type="checkbox"/> Top	Circuits: 1	Amps: 20	Equip. Rental Req: ---	Special Note: ---	Production: ---	Date: ---
		Voltage: 120				Installation: ---	Date: ---
						File Name: Portland ME 141113812 CO 10-1	

**BARLO SIGNS**  
 158 Greeley St., Hudson, NH 03051  
 (603) 882-5088 Fax (603) 882-1800  
 150 Service St., Dover, NH 03824-5914





