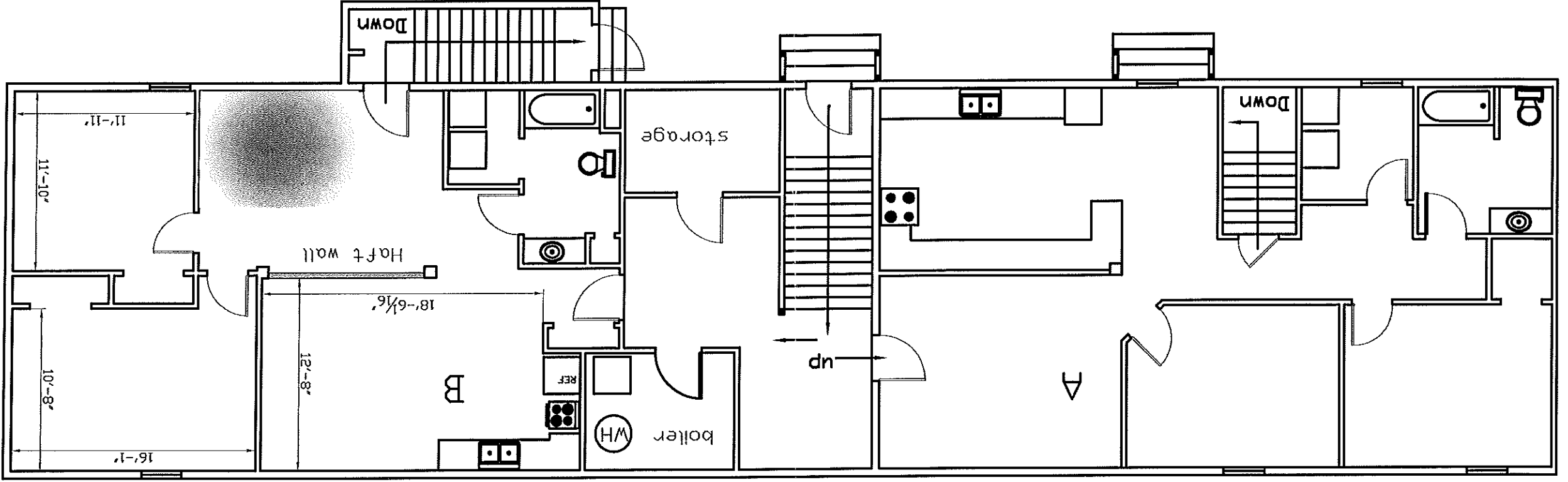
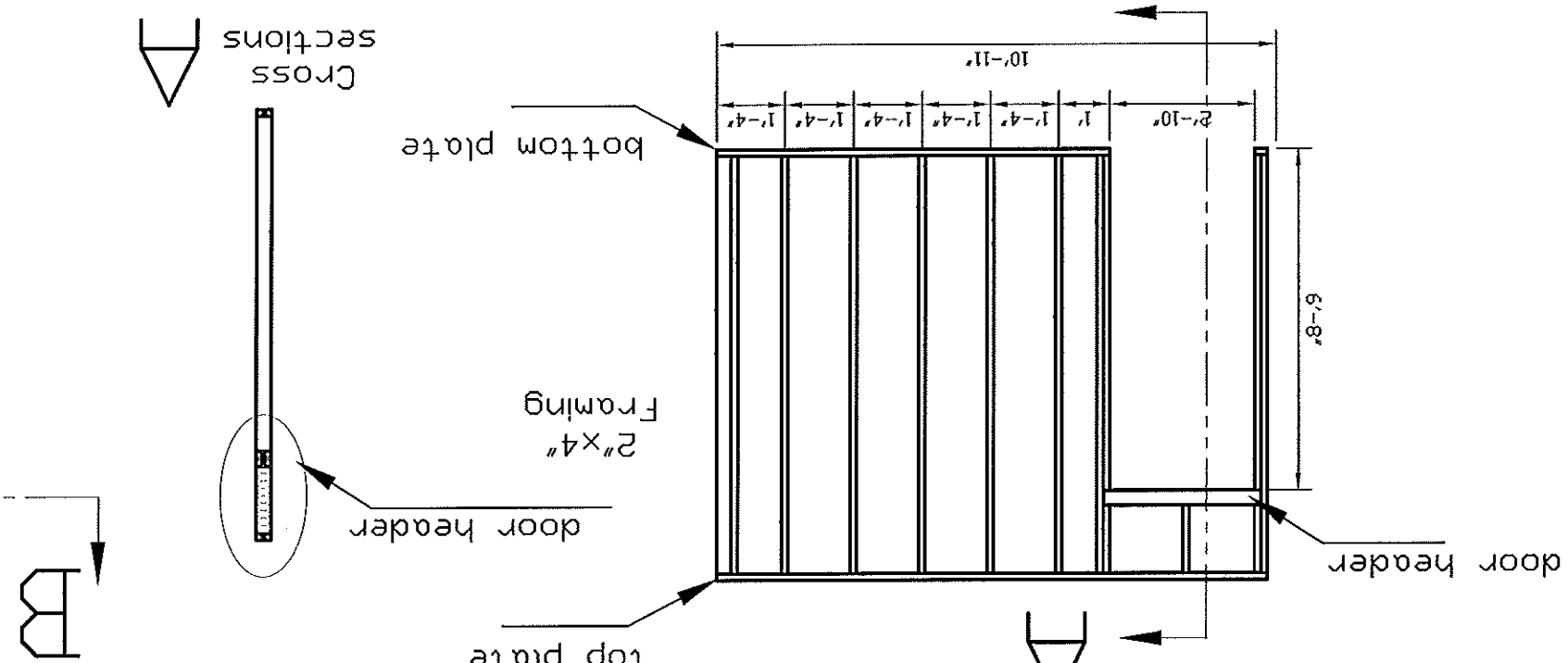
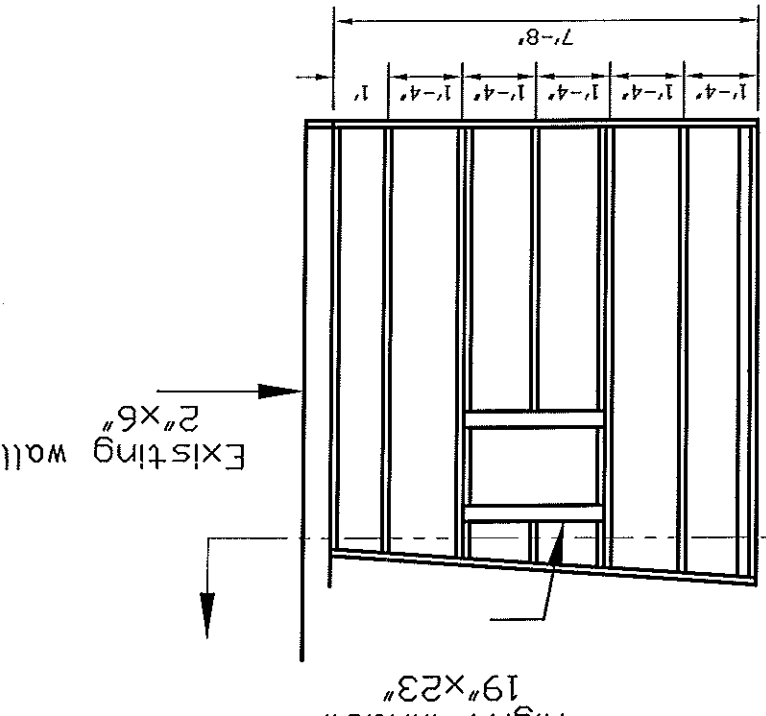
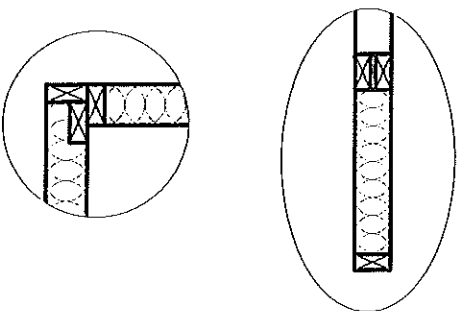


BELFR

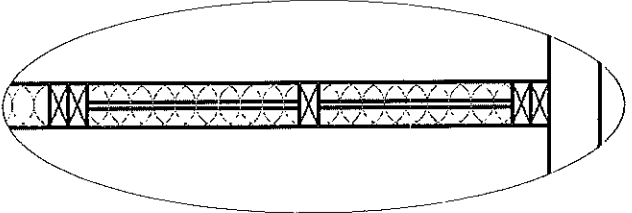




Joint corner

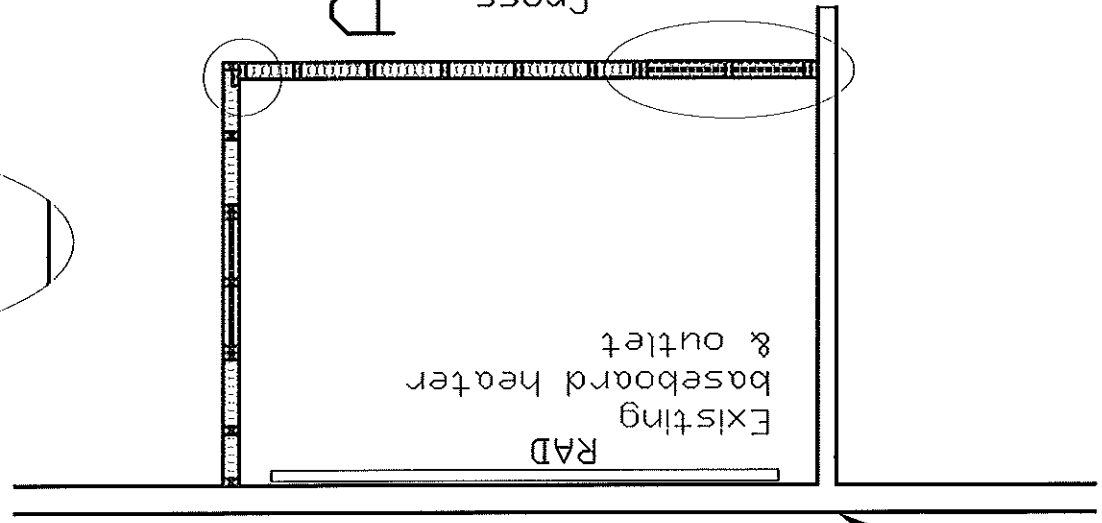


Door header



Sound proof insulation

Cross sections B



Existing wall

AFTER

