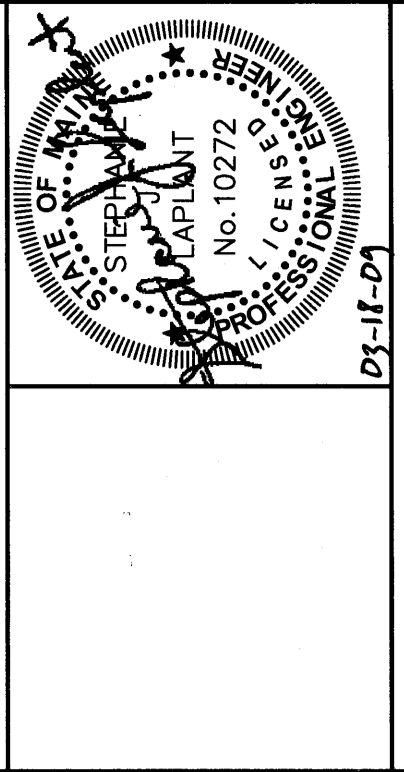


REV.	DESCRIPTION	DATE
0		08.00.00

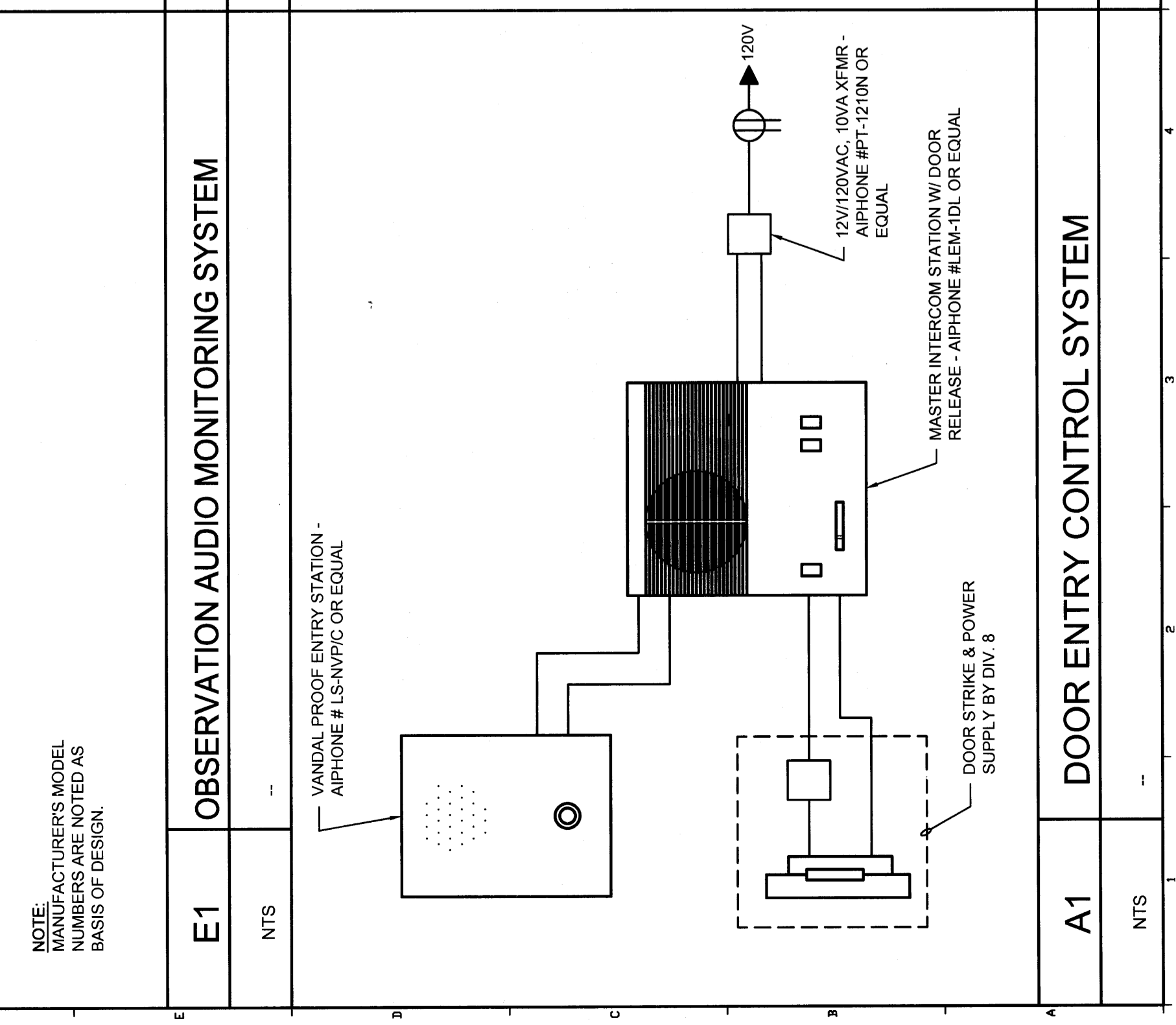
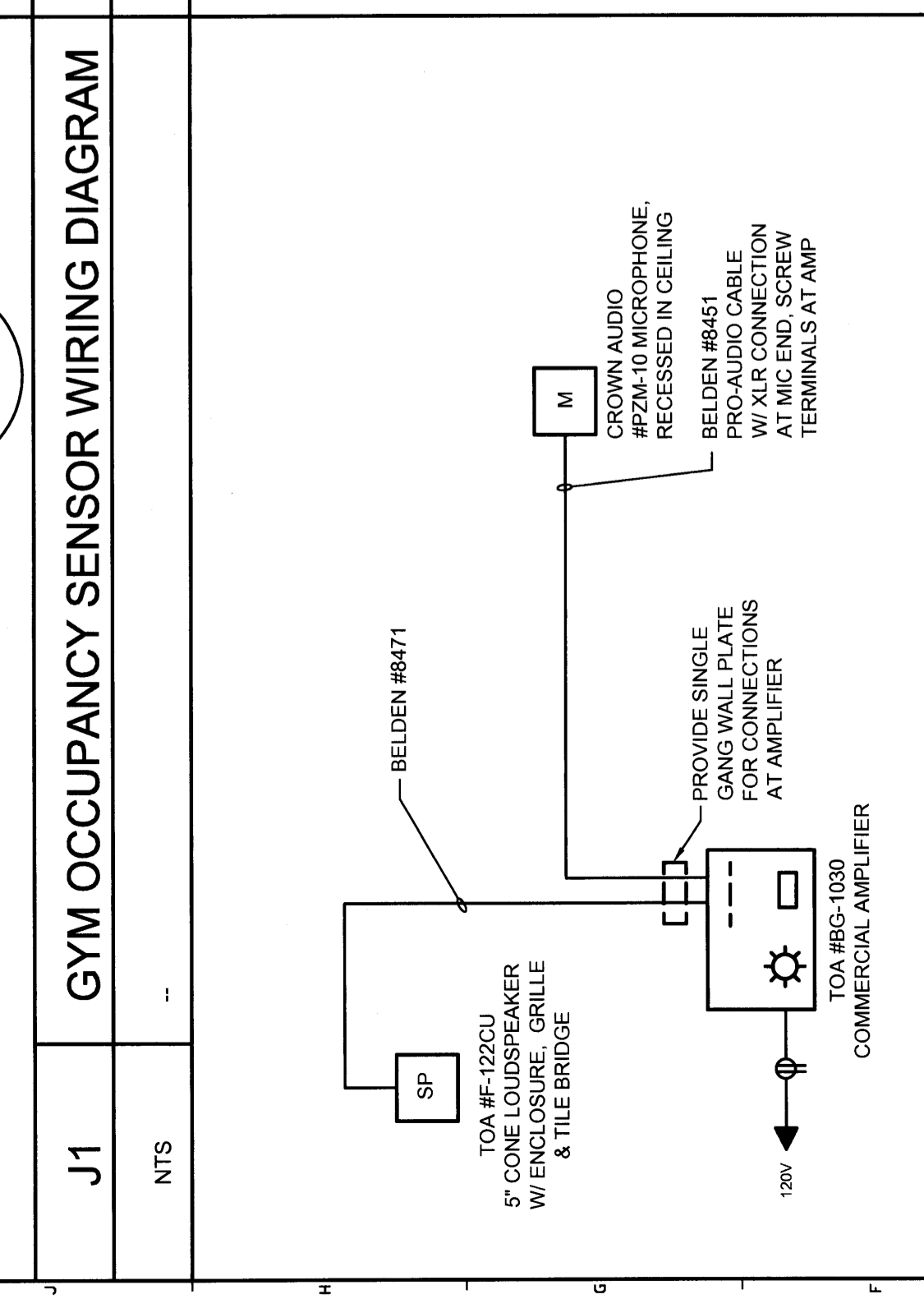
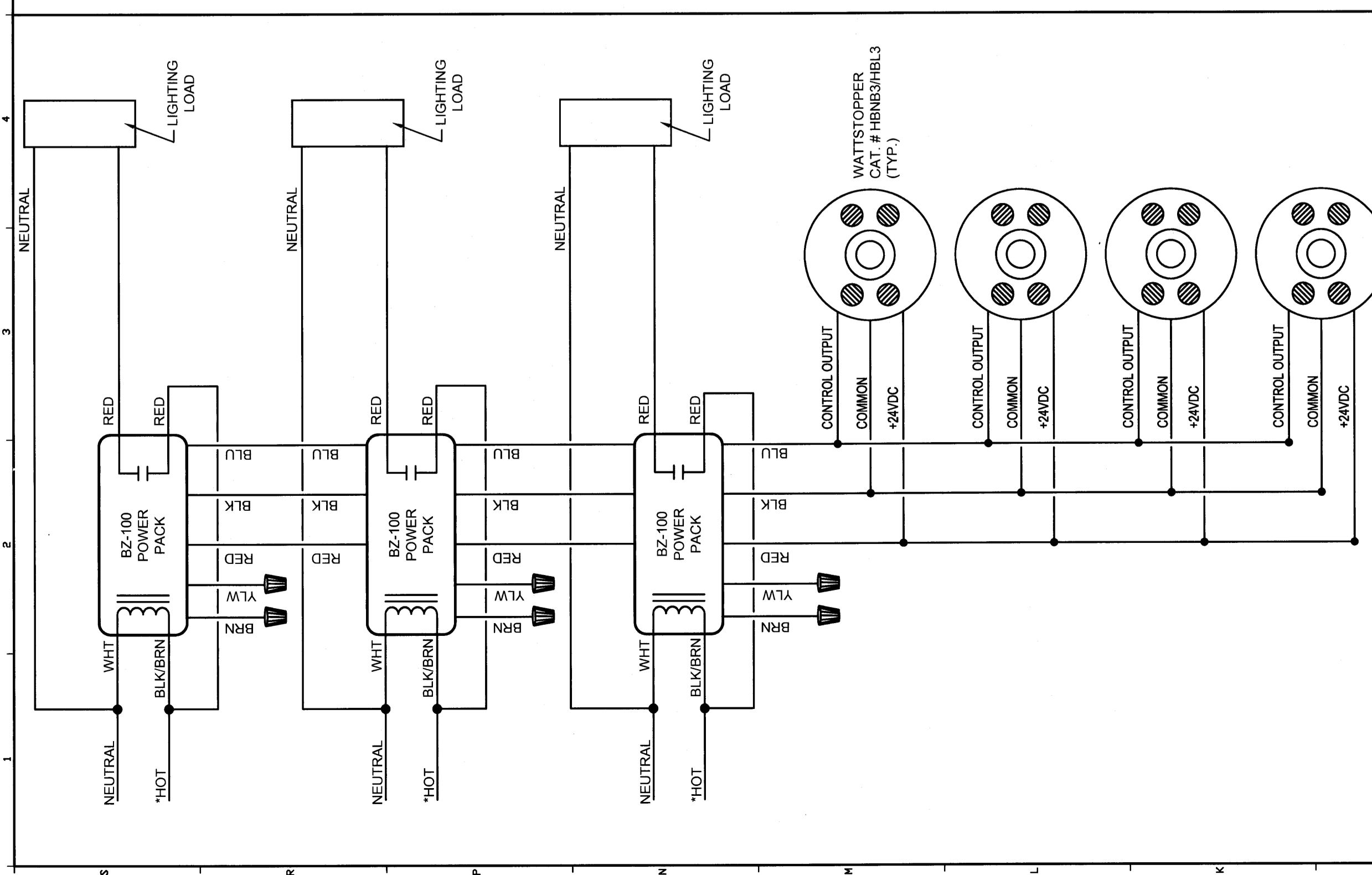
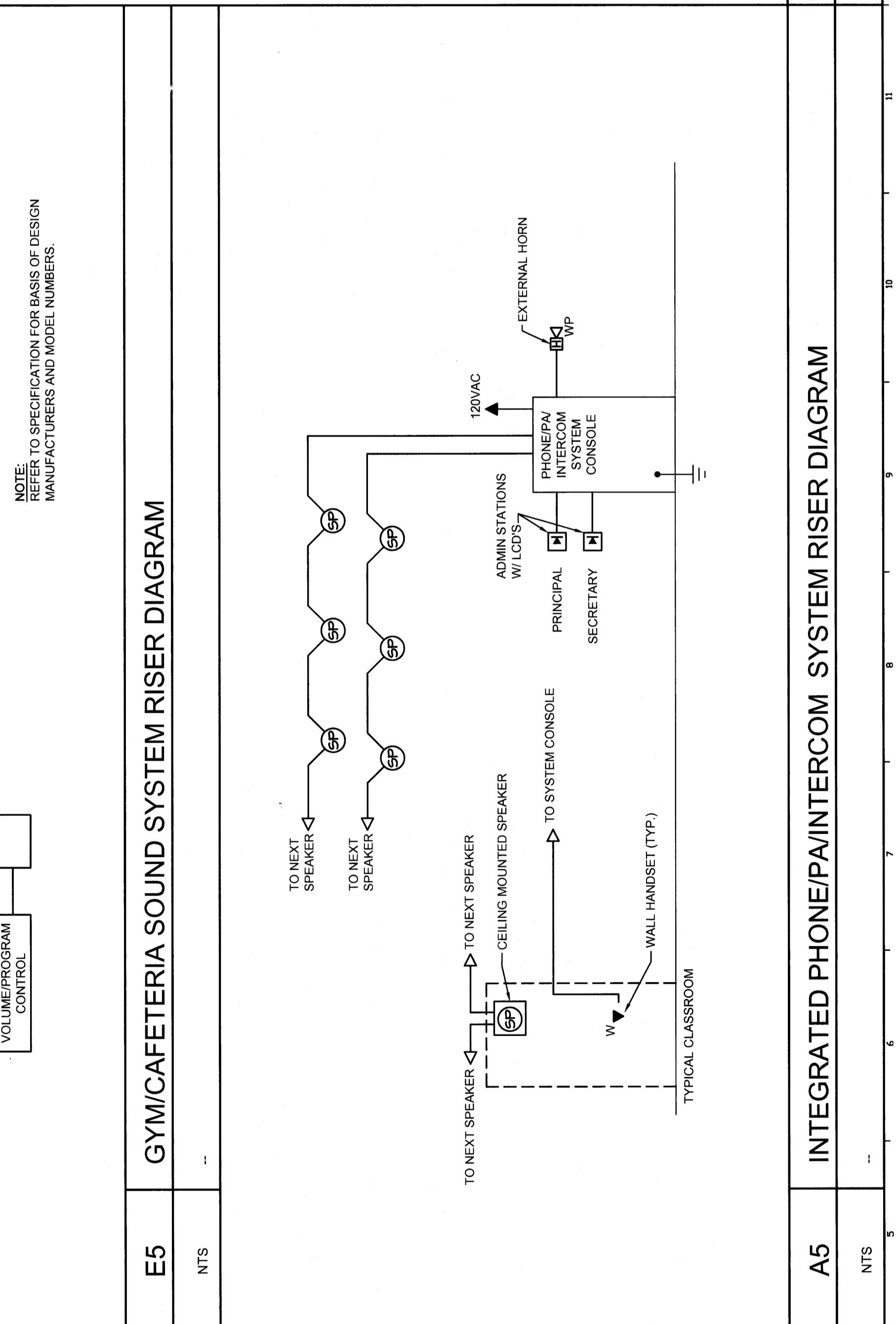
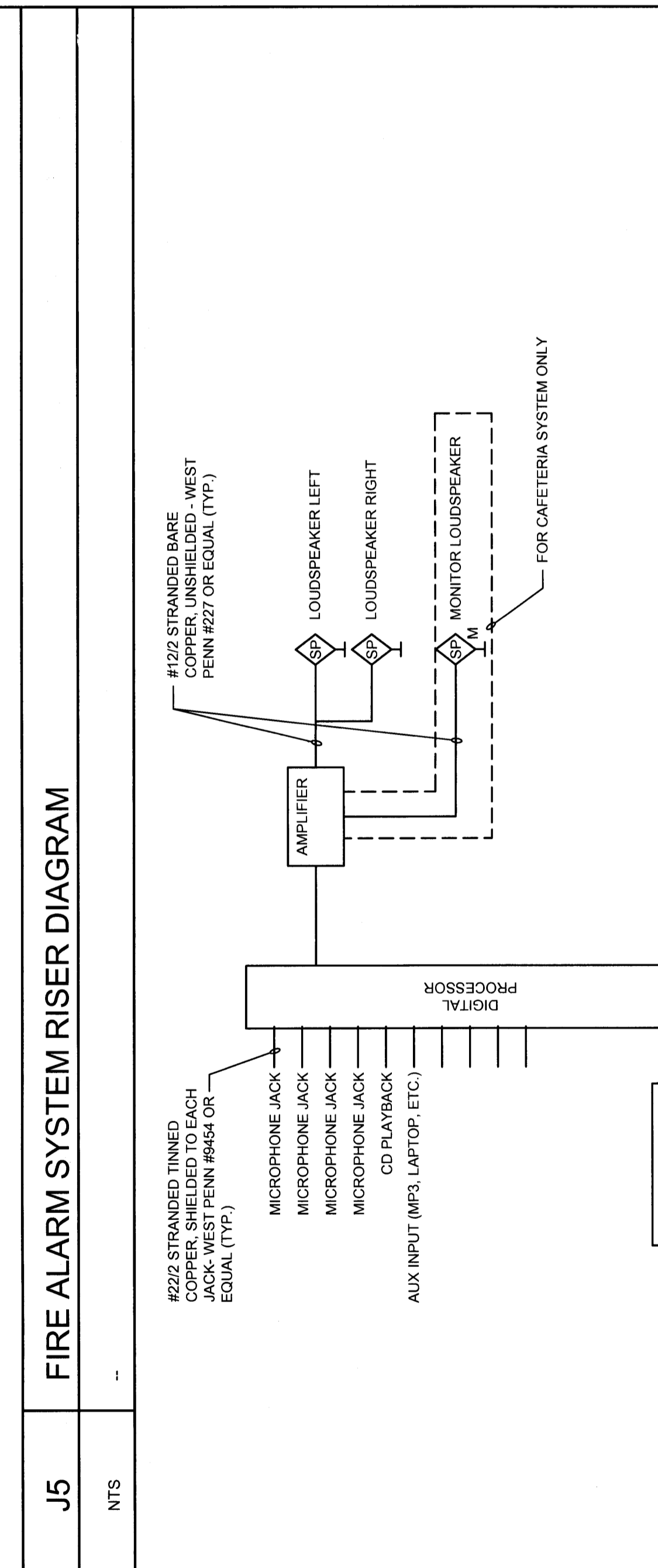
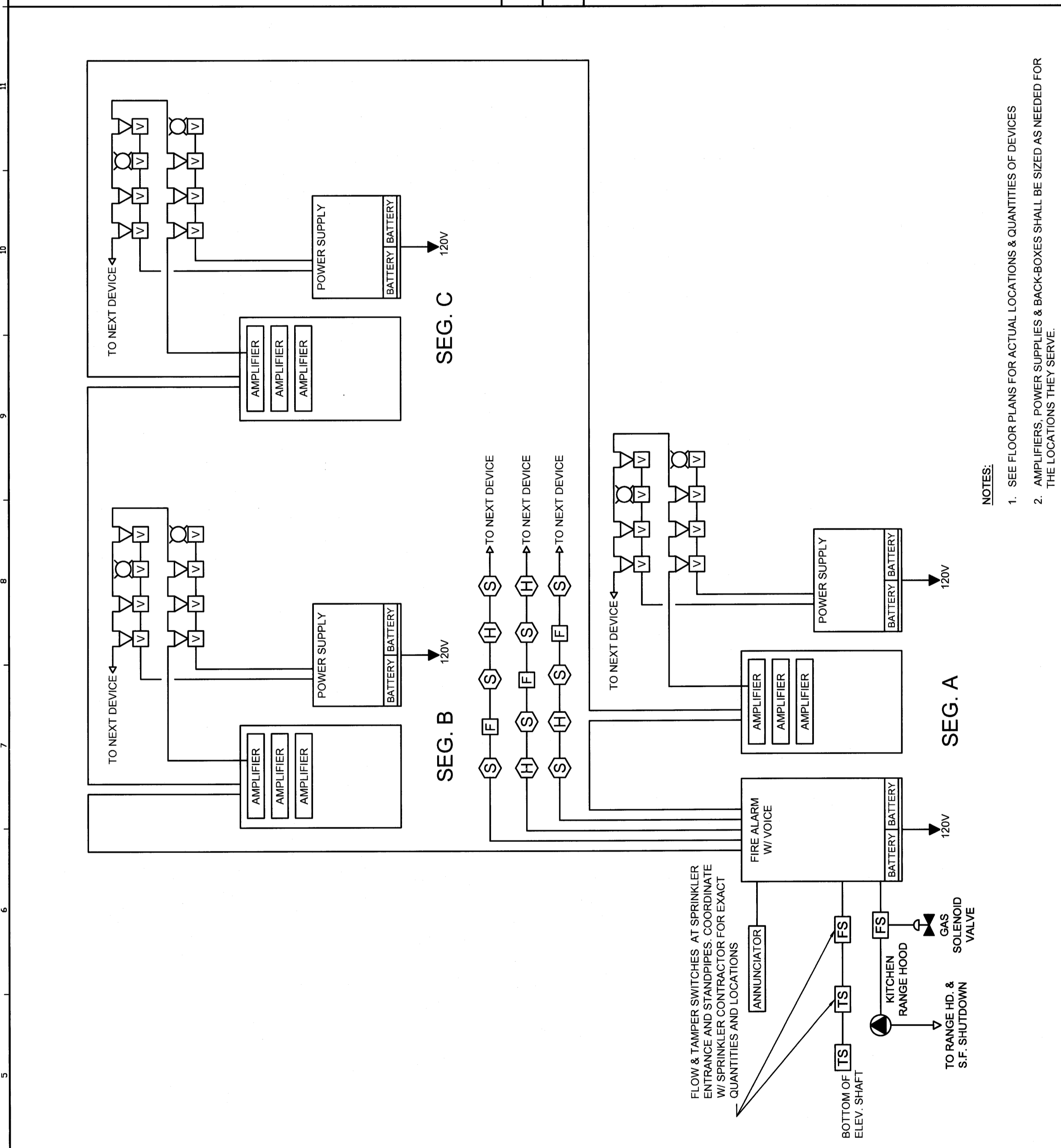
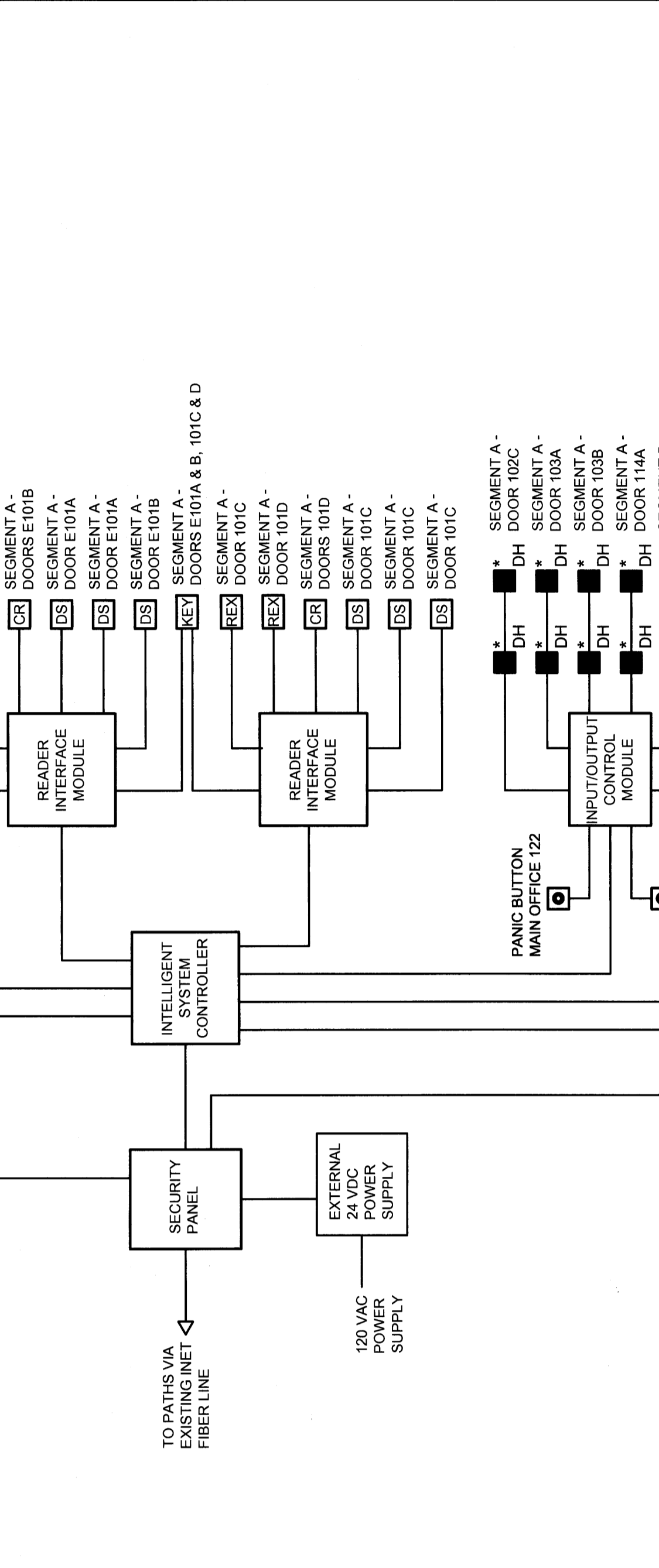
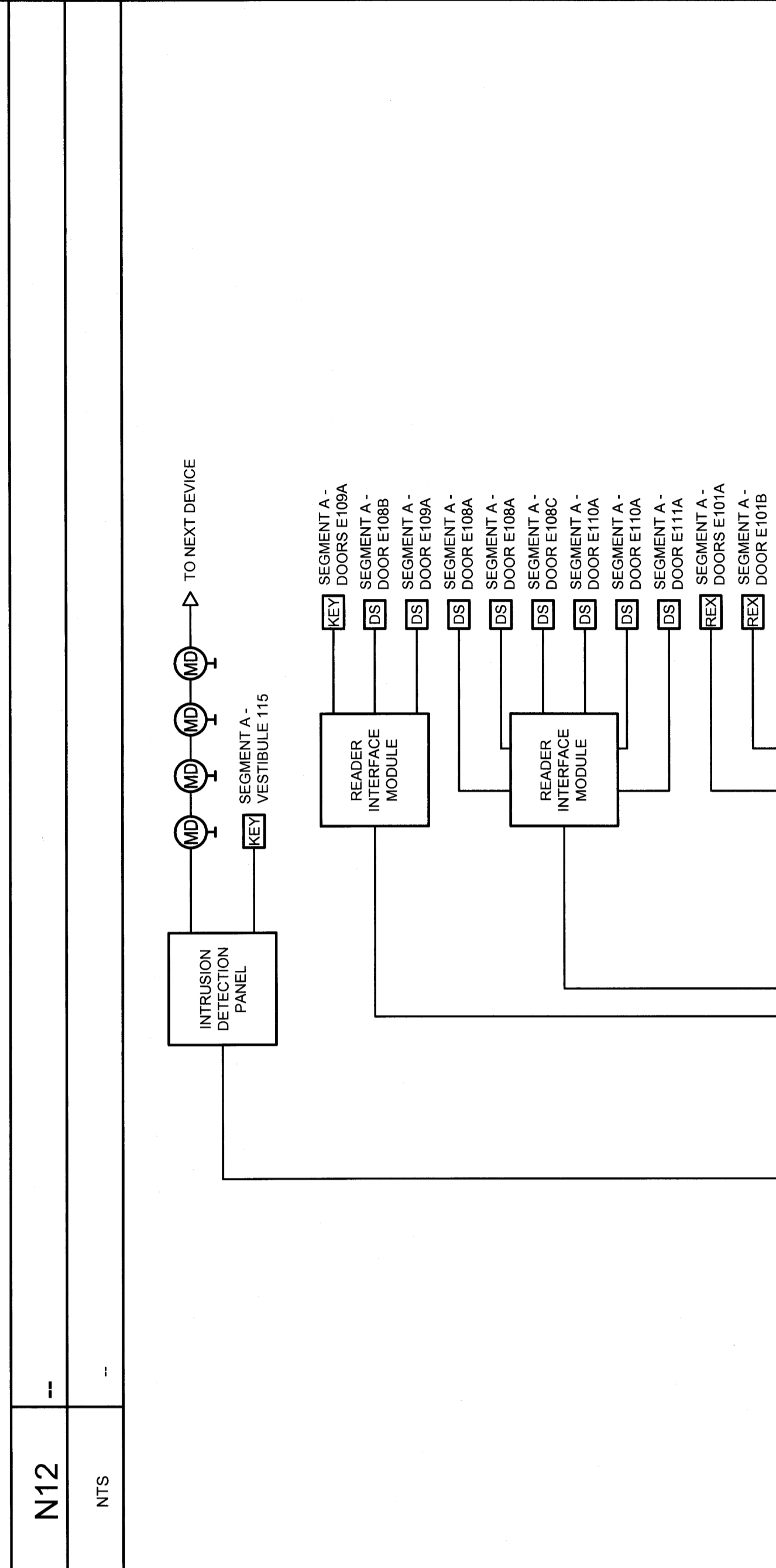
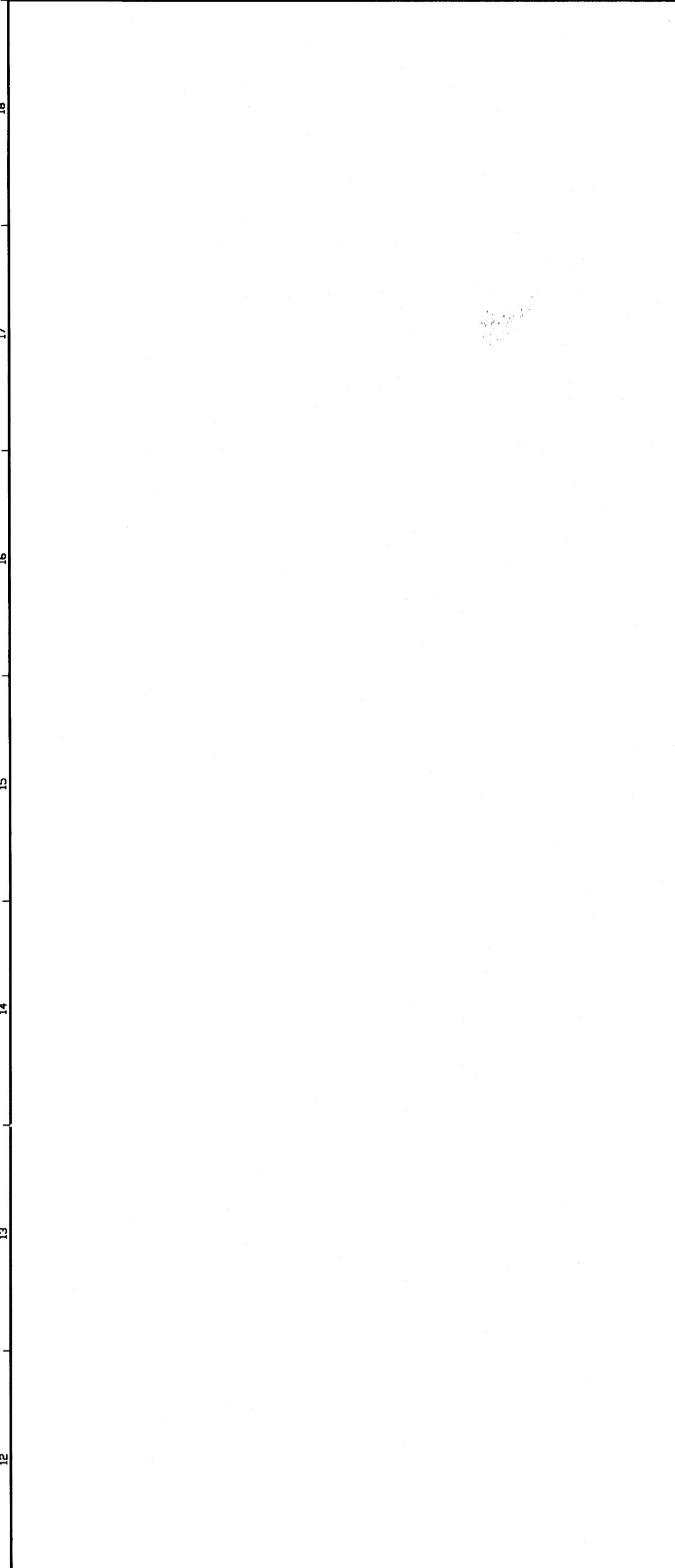
PERMIT APPLICATION
SUBMISSION 3-18-09
CURRENT ISSUE STATUS:



WBRC
ARCHITECTS • ENGINEERS
100 WASHINGTON ST., SUITE 200
PORTLAND, ME 04101
Tel: 603.761.1111

OCEAN AVENUE ELEMENTARY
SCHOOL
PORTLAND, ME

ELECTRICAL DETAILS
SHEET TITLE: 331610
WBRC JOB FILE: 331610
PROJECT No.: 331610
SCALE: AS NOTED
DATE: 08.00.00
SHEET No.: E-502



J1	GYM OCCUPANCY SENSOR WIRING DIAGRAM	NTS
J5	FIRE ALARM SYSTEM RISER DIAGRAM	NTS
E5	GYM/CAFETERIA SOUND SYSTEM RISER DIAGRAM	NTS
E1	OBSERVATION AUDIO MONITORING SYSTEM	NTS
A1	DOOR ENTRY CONTROL SYSTEM	NTS
A5	INTEGRATED PHONE/PA/INTERCOM SYSTEM RISER DIAGRAM	NTS
A12	SECURITY SYSTEM RISER DIAGRAM	NTS