

**NI CERAMIC TILE WAINGSCOT INFORMATION**

NI	1/4" = 1'-0"	--
----	--------------	----

**N7 PICTURE RAIL**

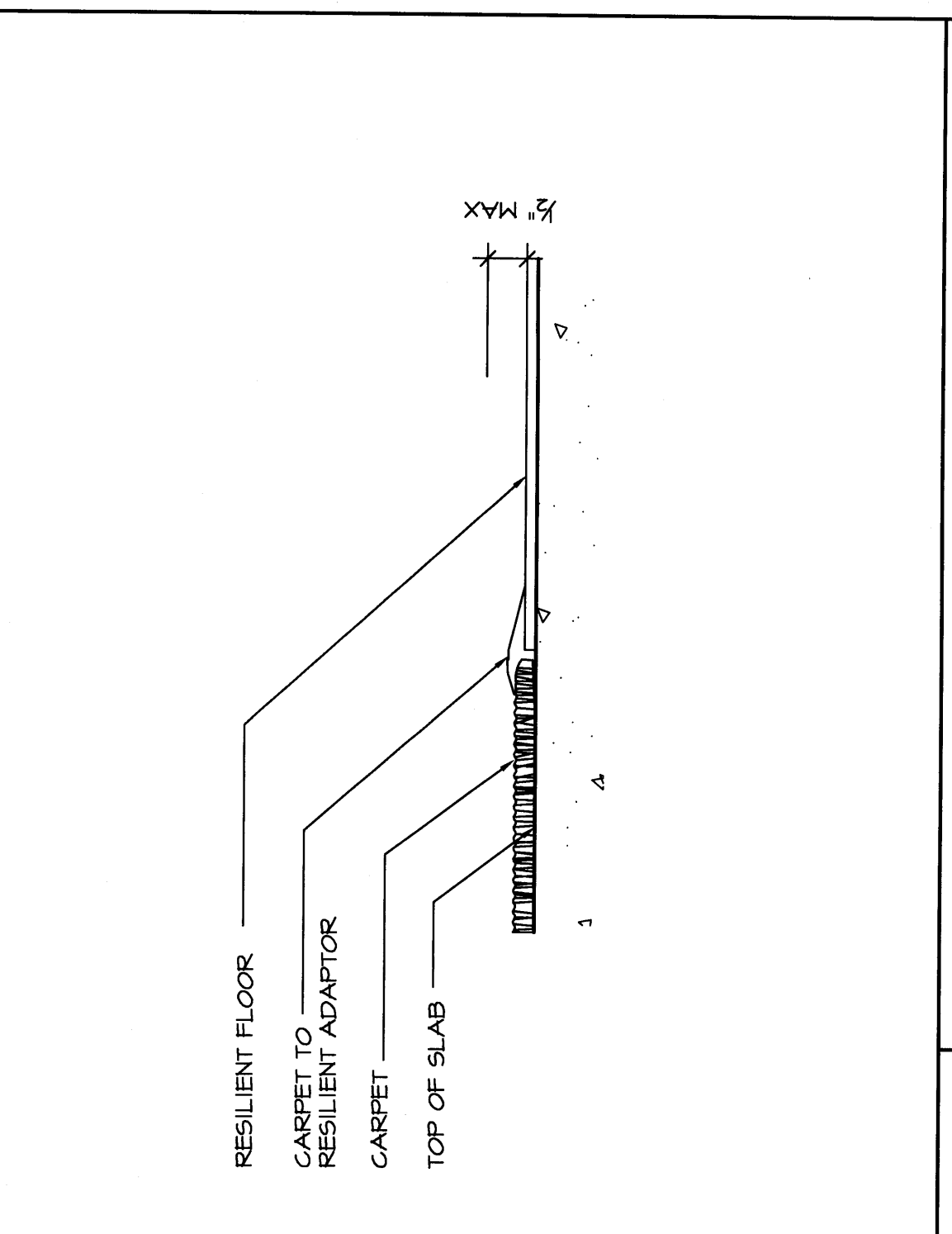
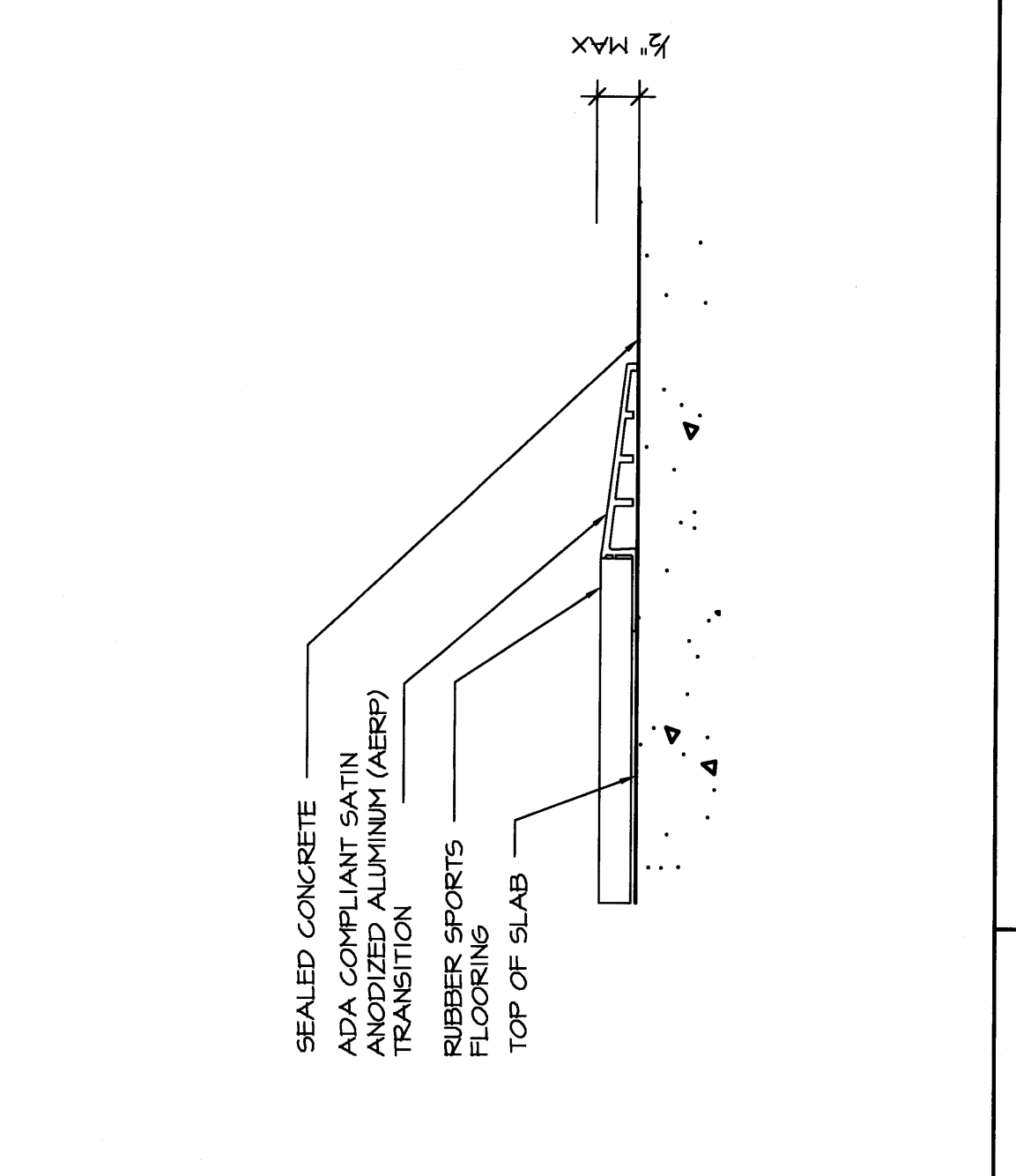
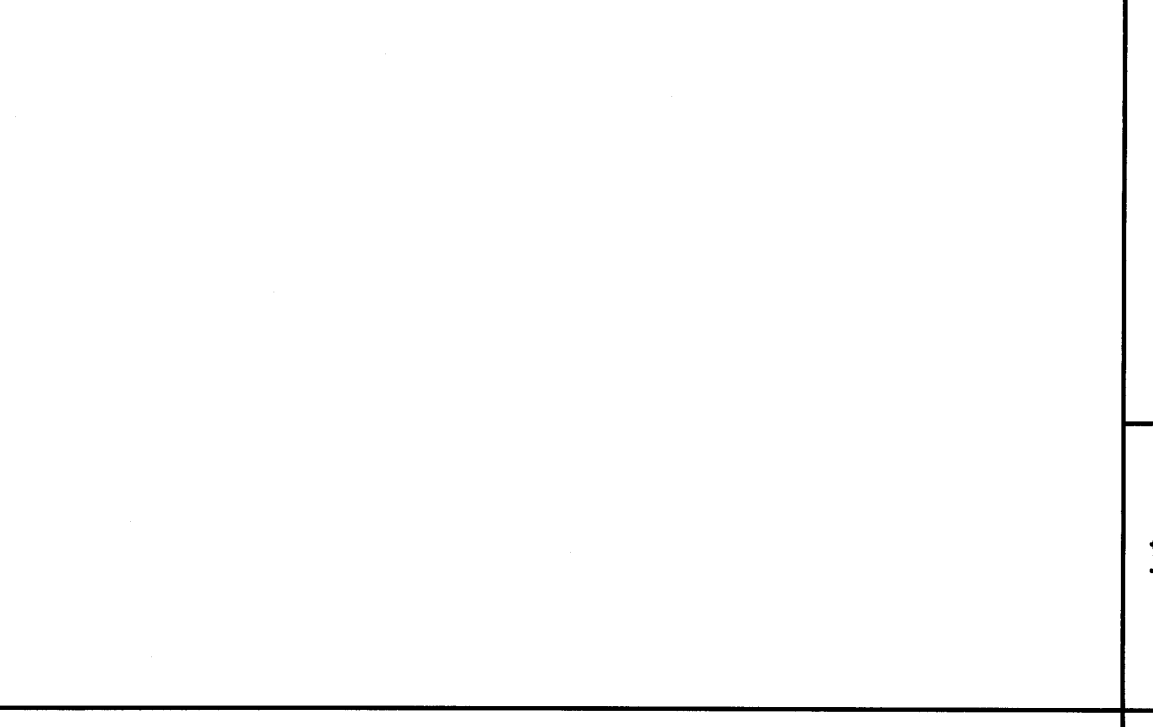
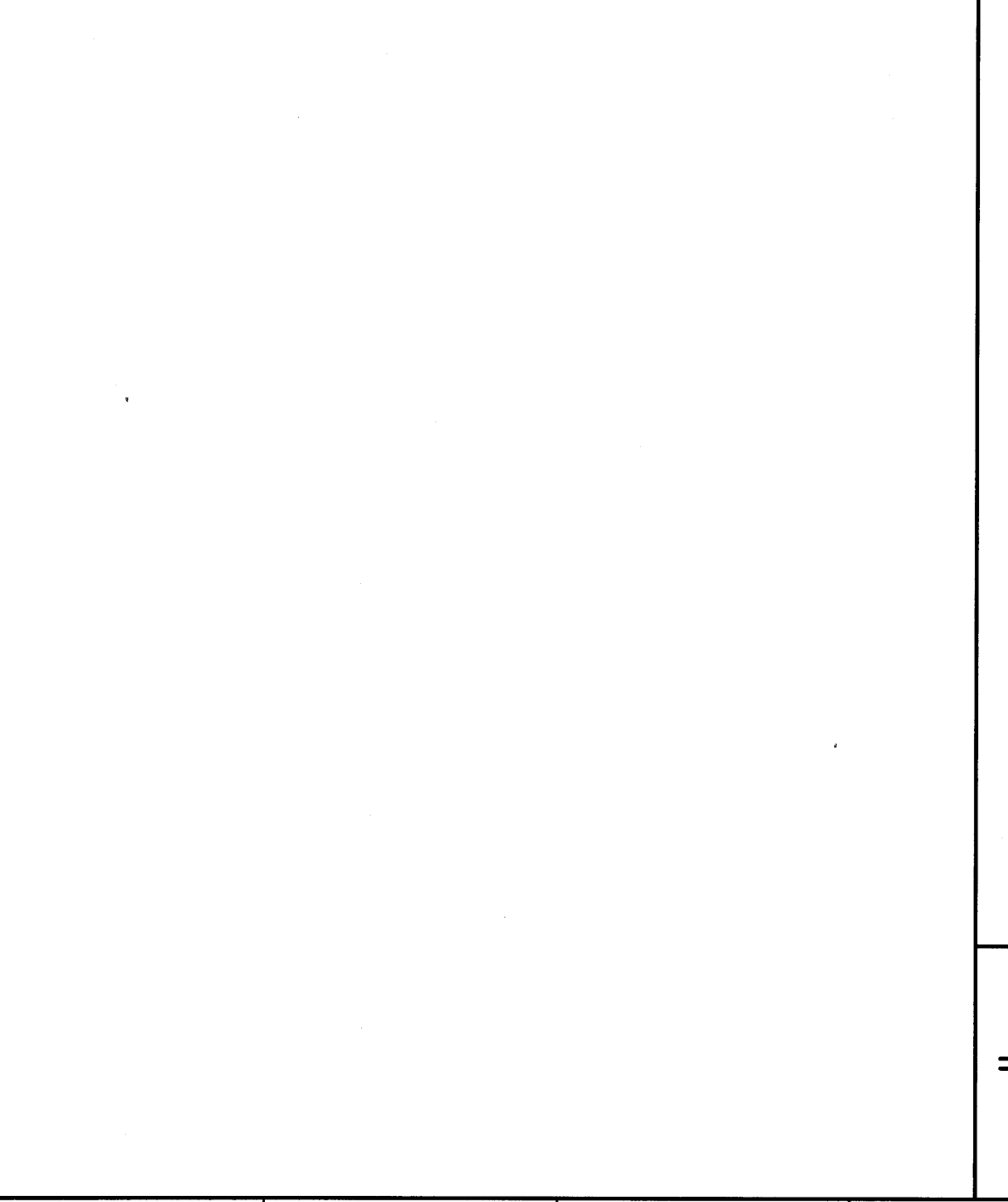
N7	1'-0" = 1'-0"	--
----	---------------	----

**NI1**

NI1	6" = 1'-0"	--
-----	------------	----

**NI4 RESILIENT TO SCONG FLOORING TRANSITION**

NI4	6" = 1'-0"	--
-----	------------	----

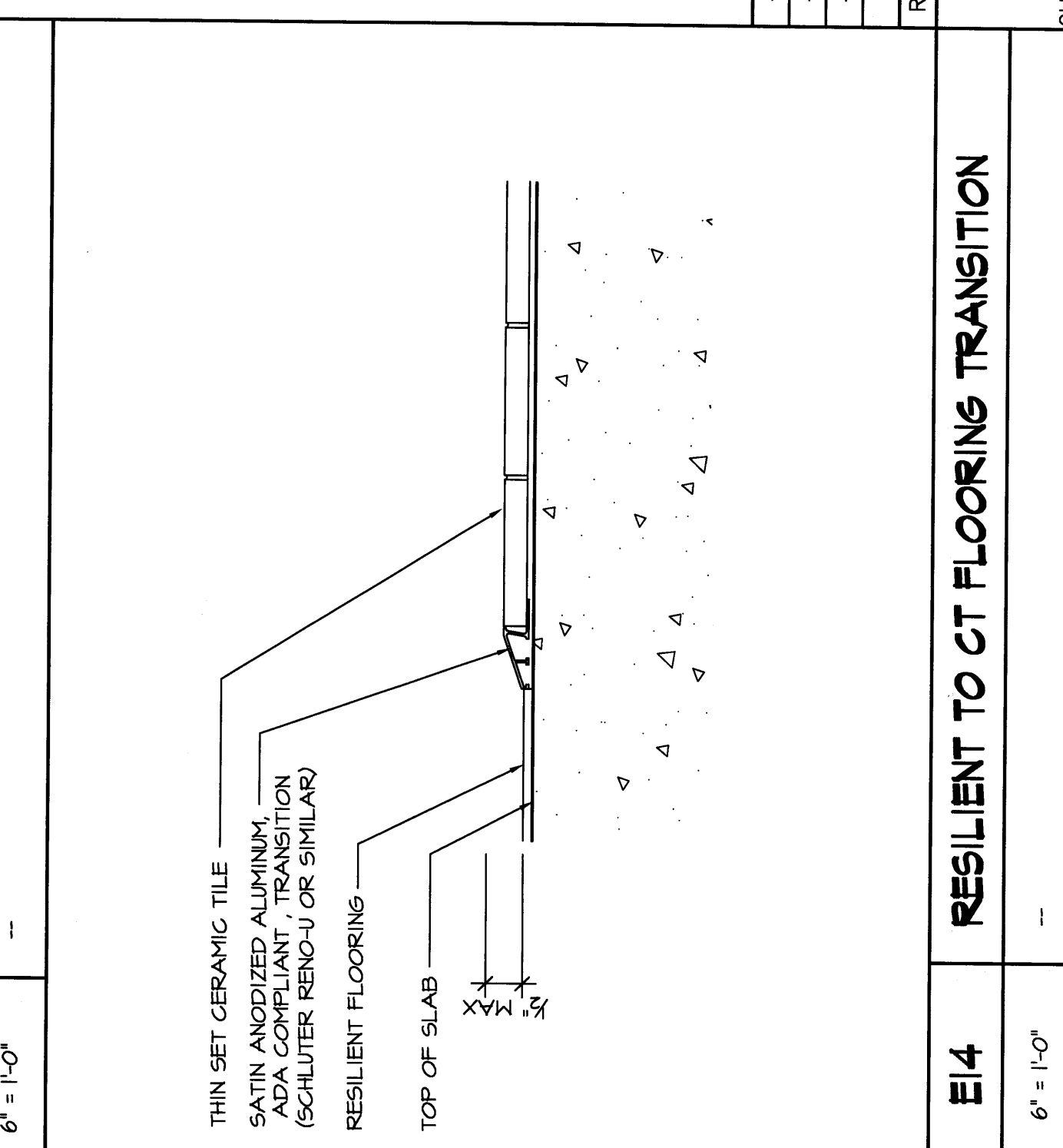
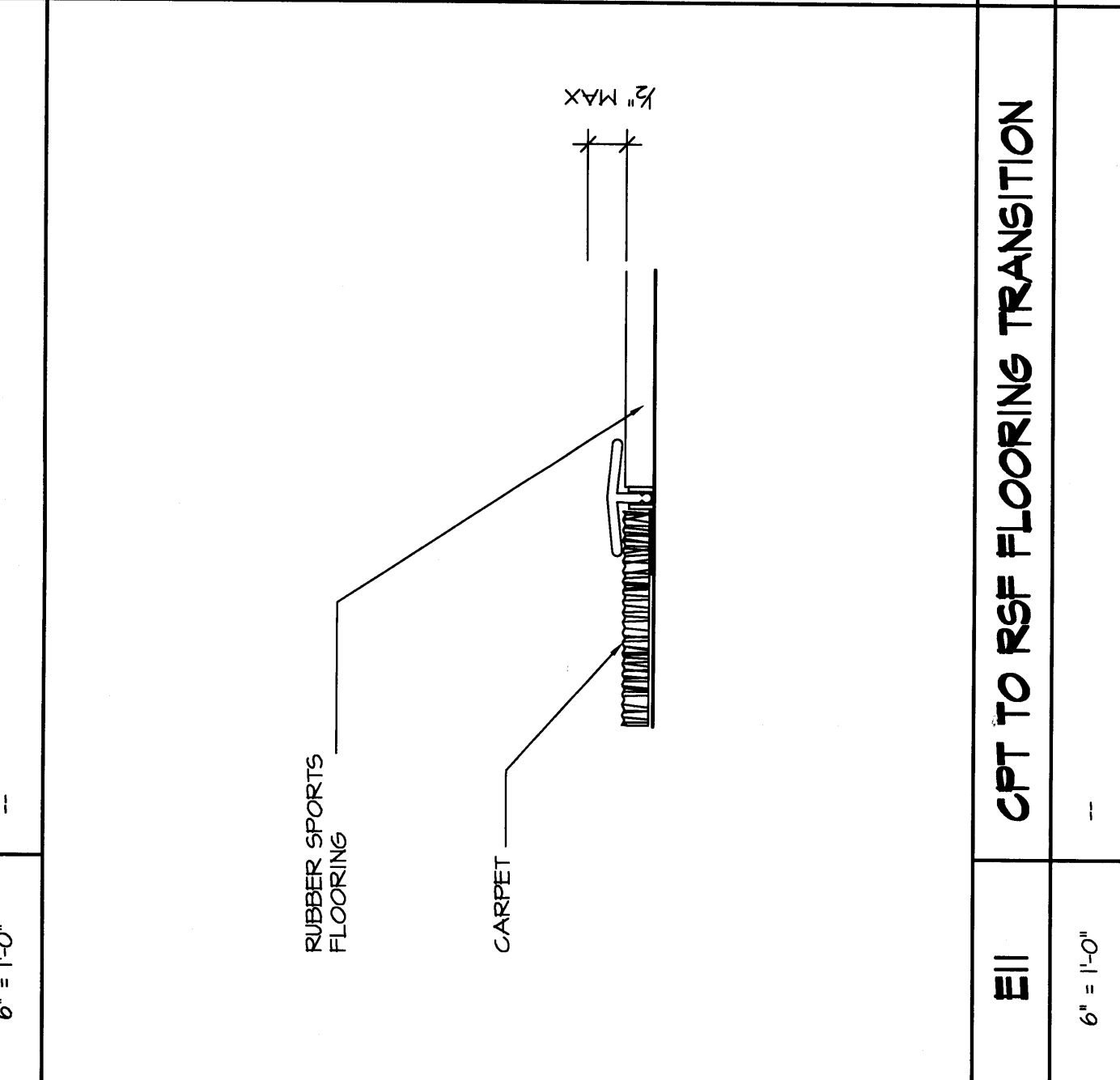
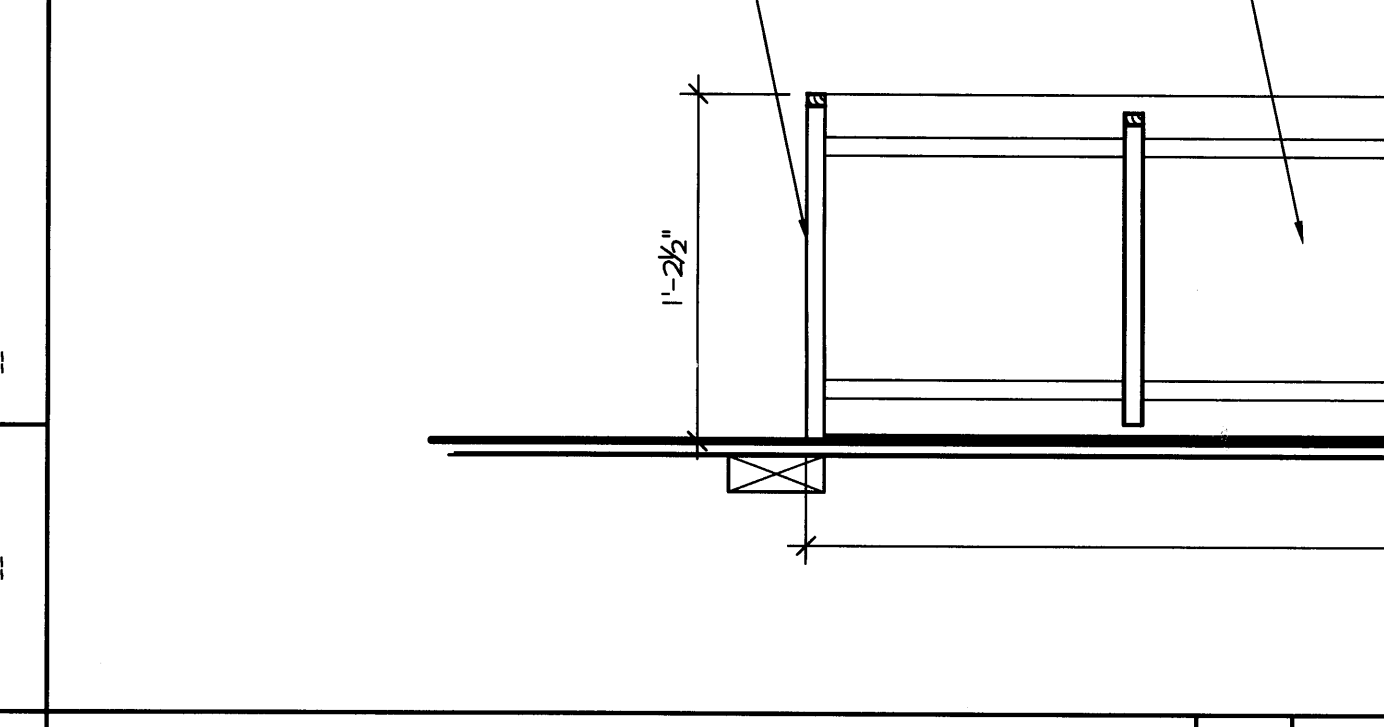
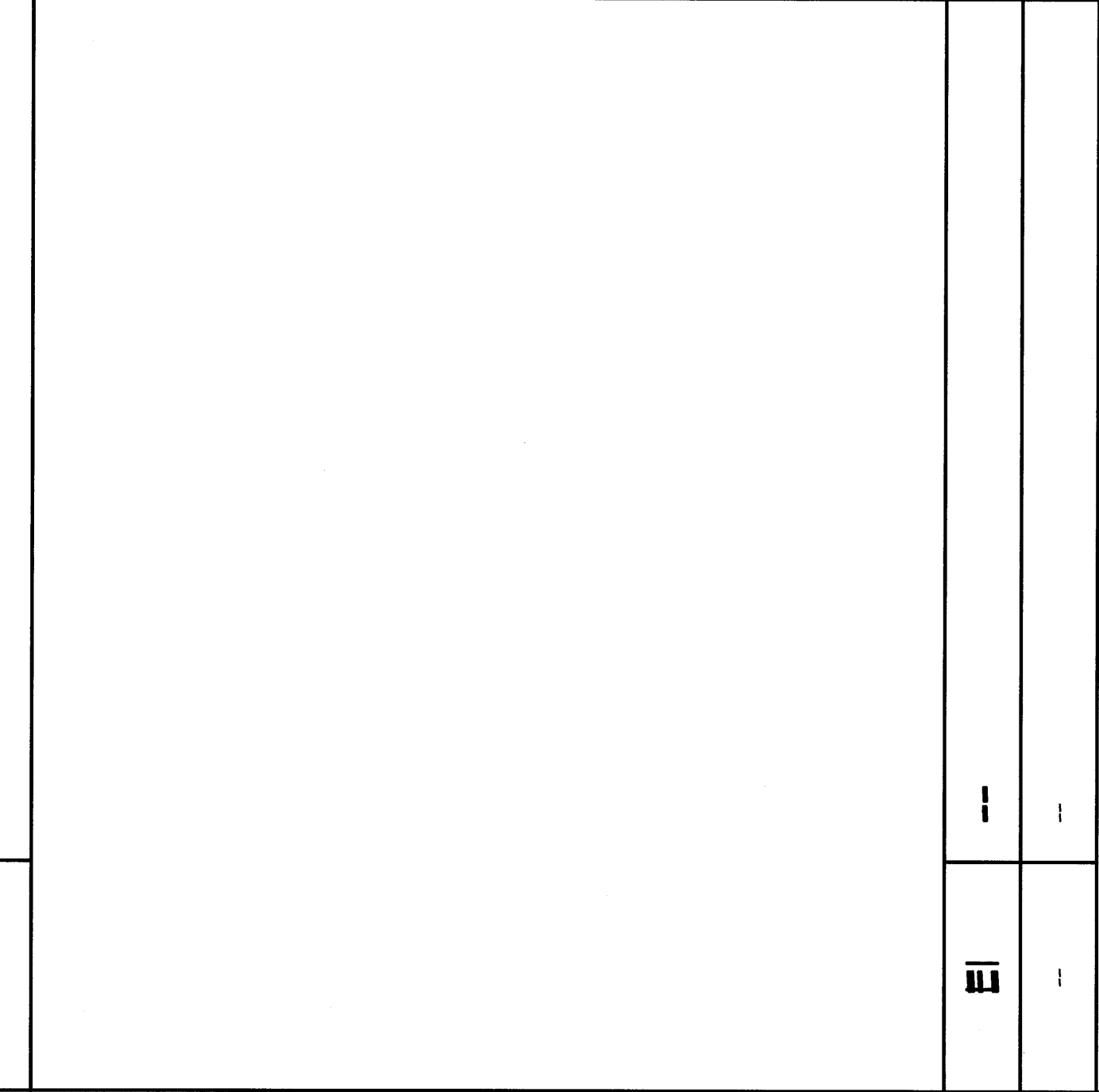


**J4**

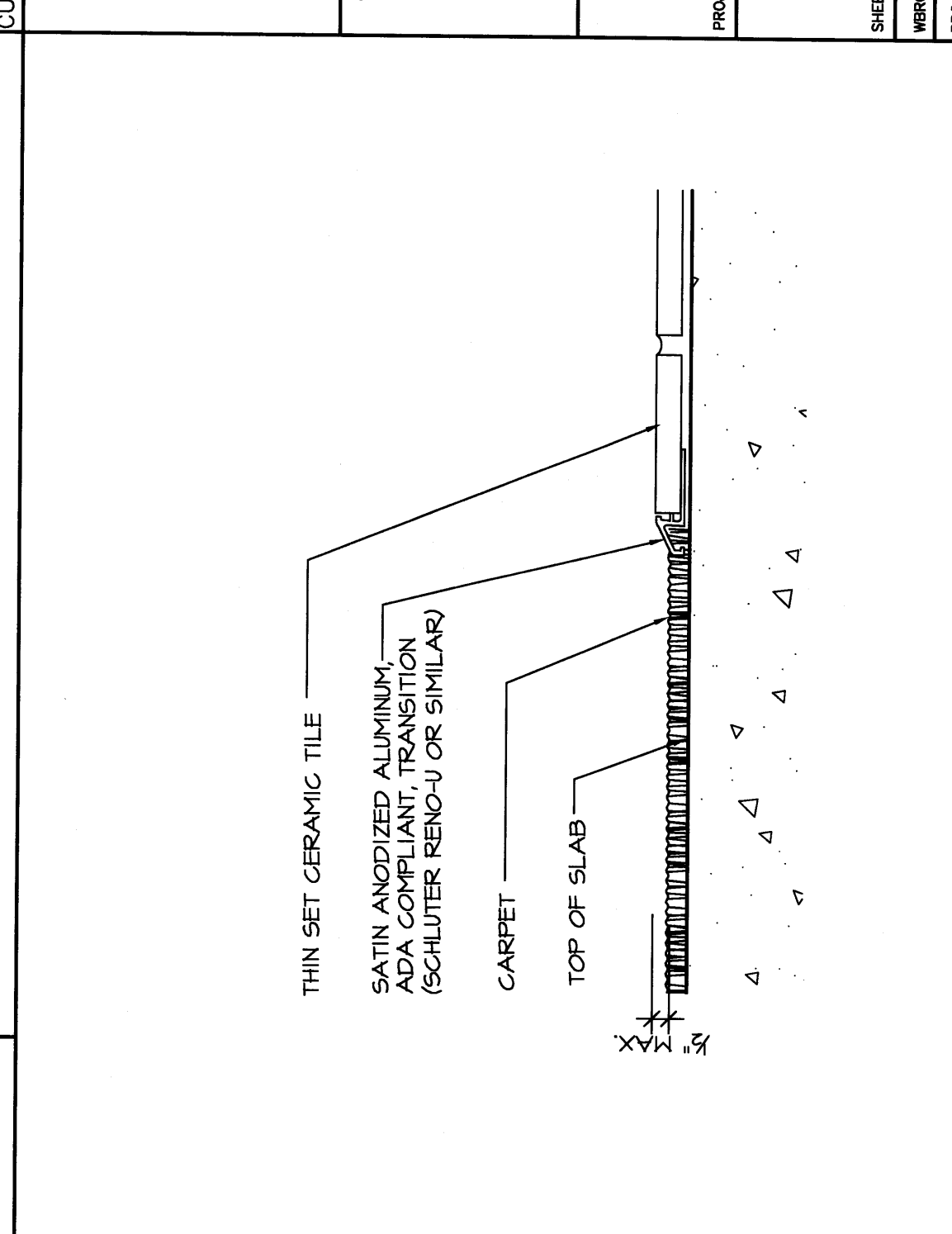
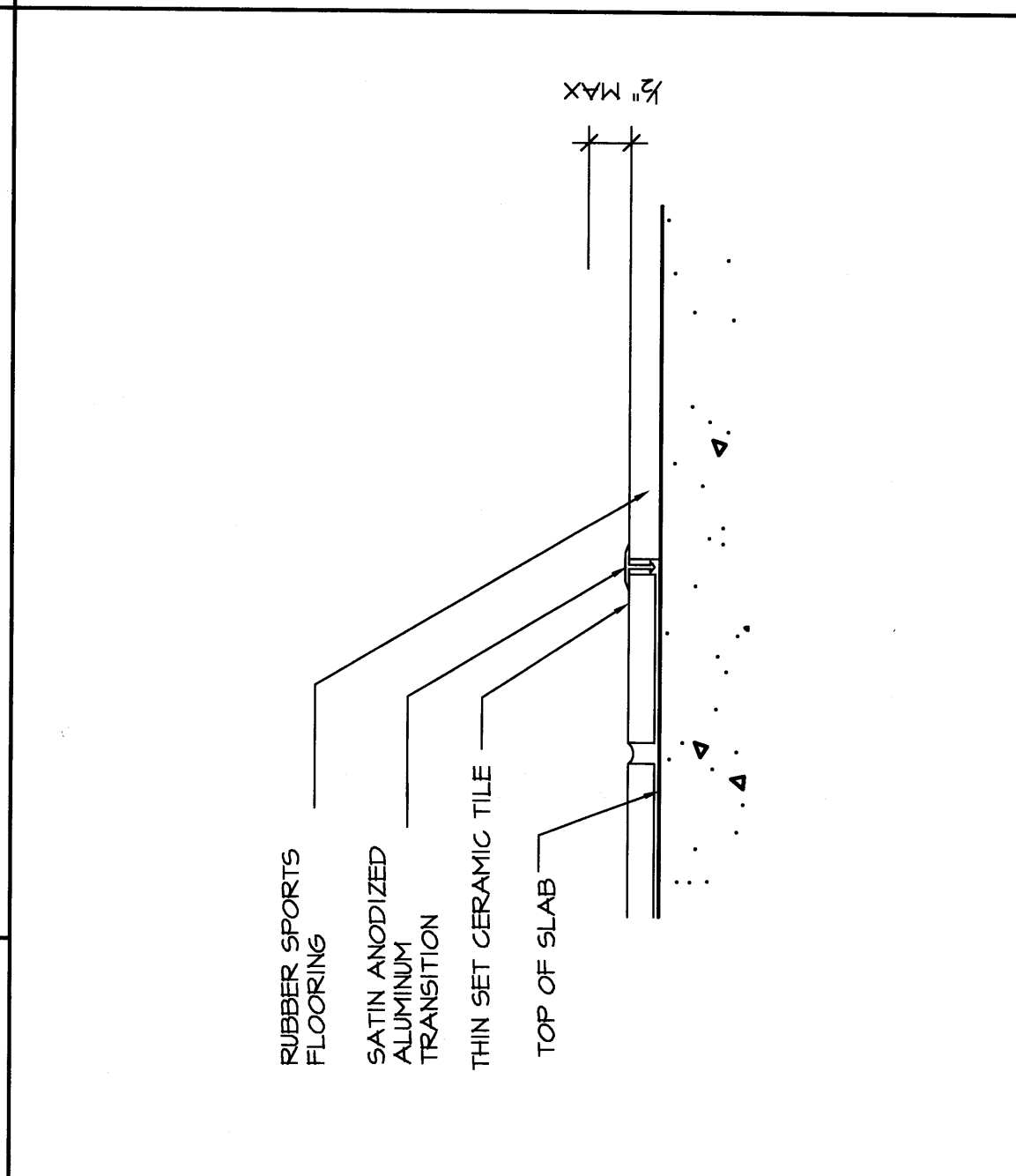
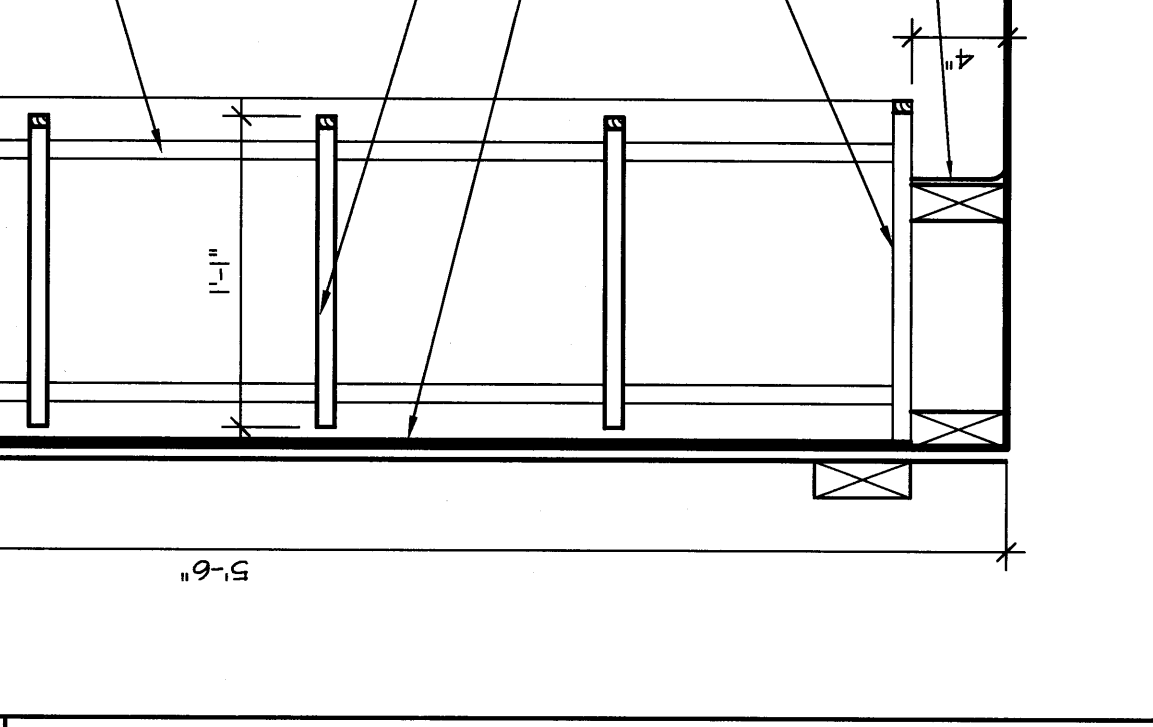
**J7**

**J11**

**J14**



**E4**



**A1**

**A7 BOOKCASE**

**A11**

**A14**

**A4**

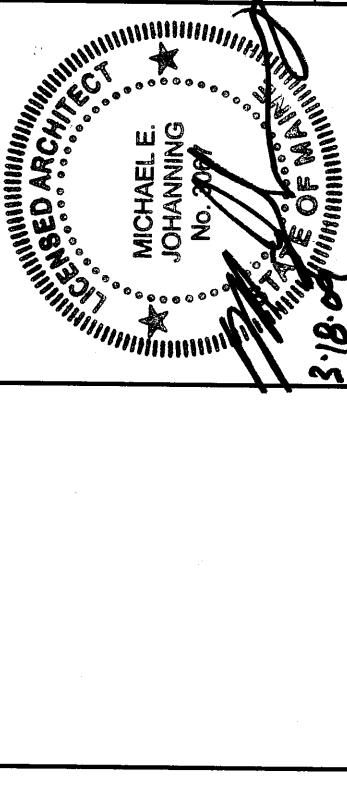
**A7**

**A11**

**A14**

REV.	DESCRIPTION	DATE
0	00.00.00	

**PERMIT APPLICATION**  
**SUBMISSION 3-18-09**  
 CURRENT ISSUE STATUS:



**OCEAN AVENUE ELEMENTARY SCHOOL**  
 PORTLAND, ME

**FINISH DETAILS**

SHEET TITLE:	331610-AF502
WBRC DO FILE:	331610-AF502
PROJECT No.:	AS NOTED
SCALE:	MEJ
PROJECT MANAGER:	JLS
DRAWN BY:	MEJ
CHECKED BY:	MEJ
SHEET No.:	AF502