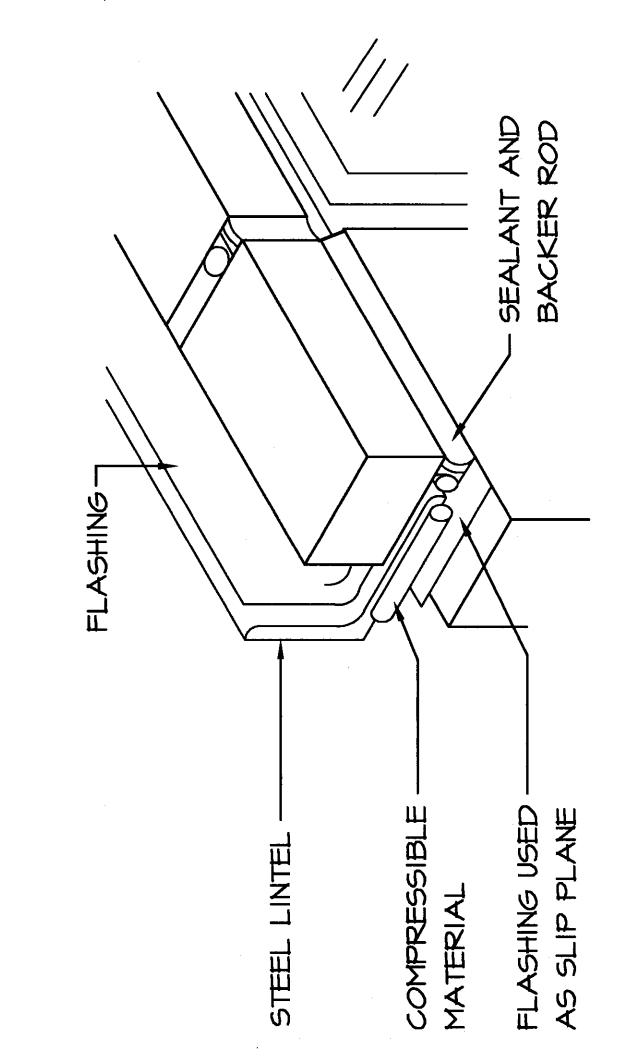
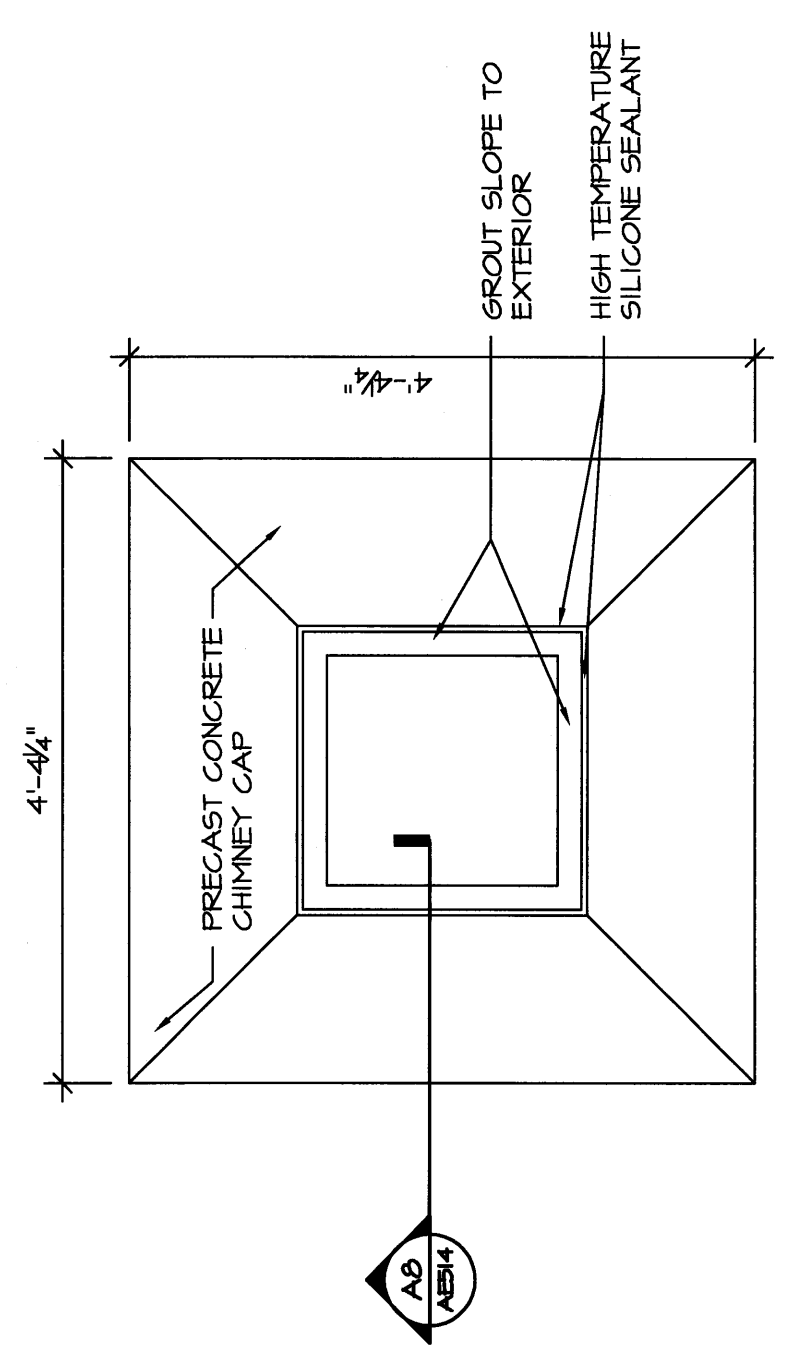


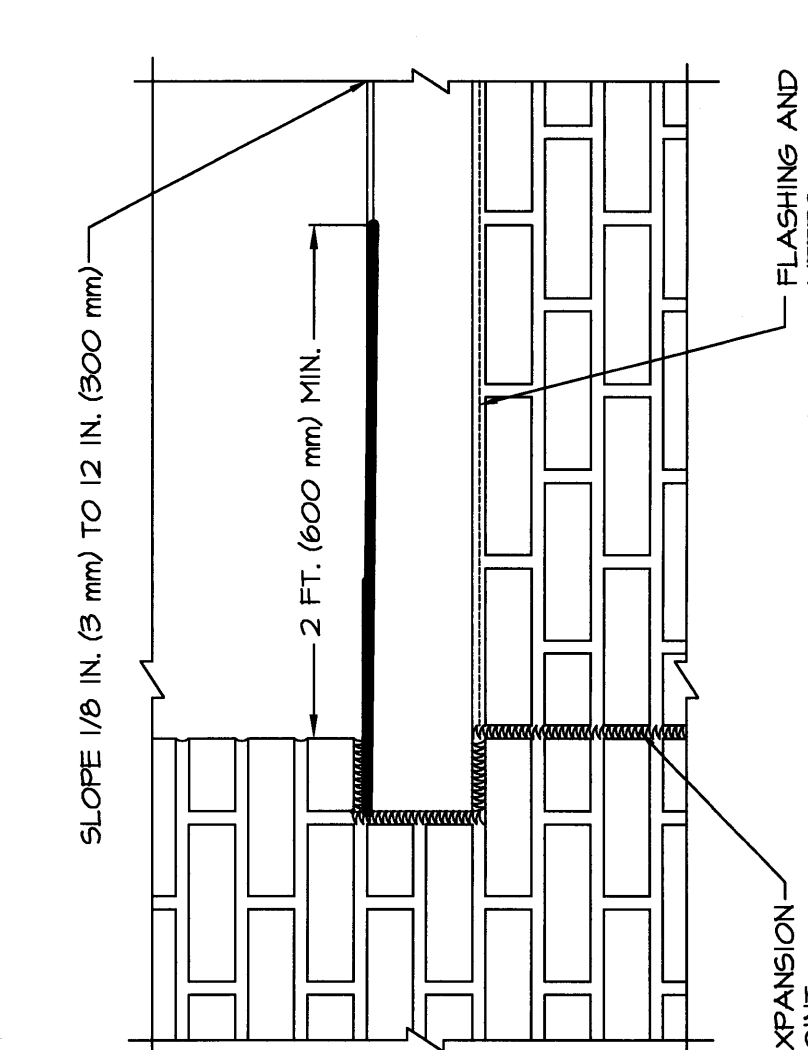
**N15** EXPANSION JOINT AT LOOSE LINTEL  
1/2" = 1'-0"



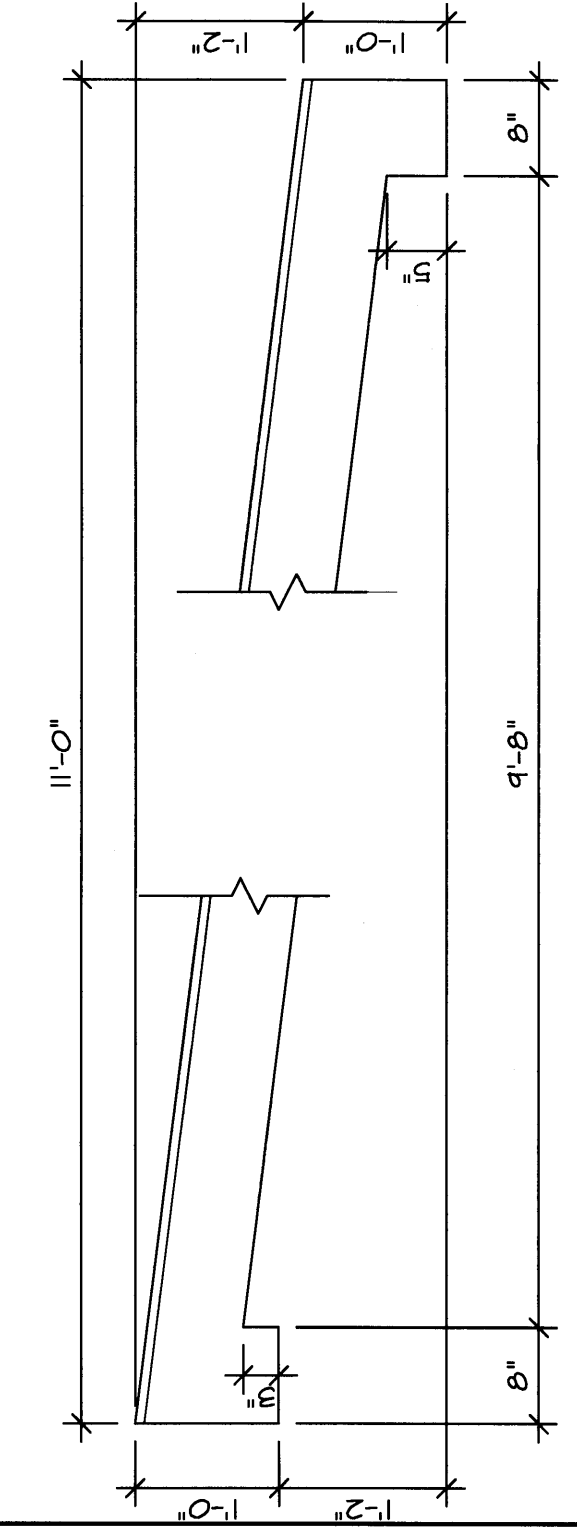
**N11** EXPANSION JOINT AT LOOSE LINTEL  
1/2" = 1'-0"



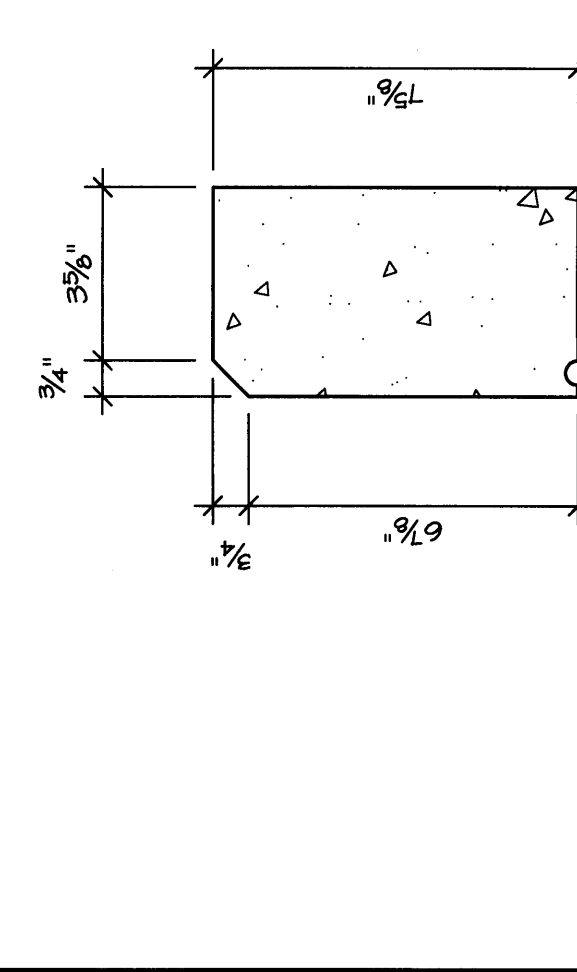
**J15** CHIMNEY CAP PLAN DETAIL  
3/4" = 1'-0"



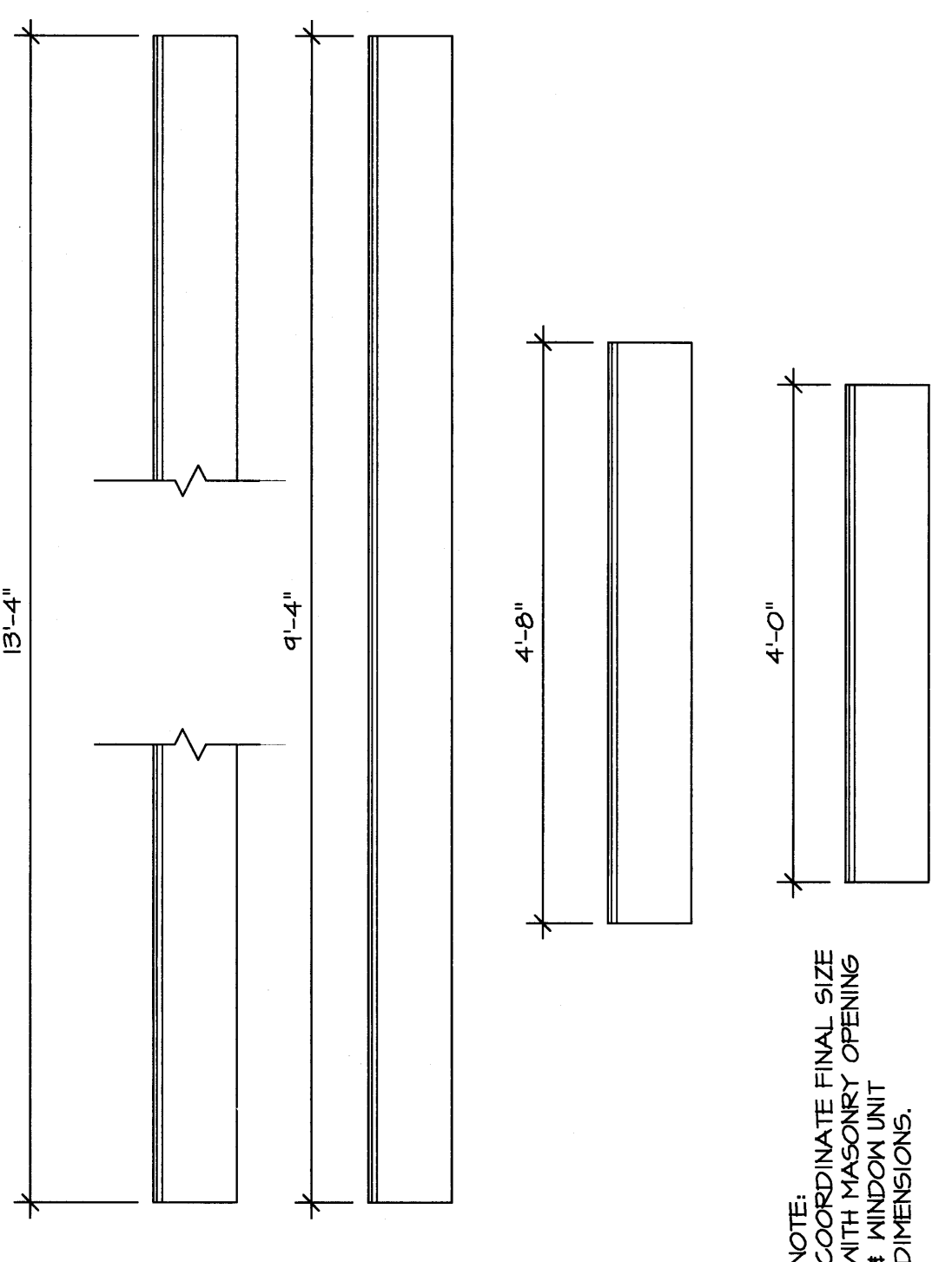
**J11** EXPANSION JOINT AT CONCRETE SILL  
1/2" = 1'-0"



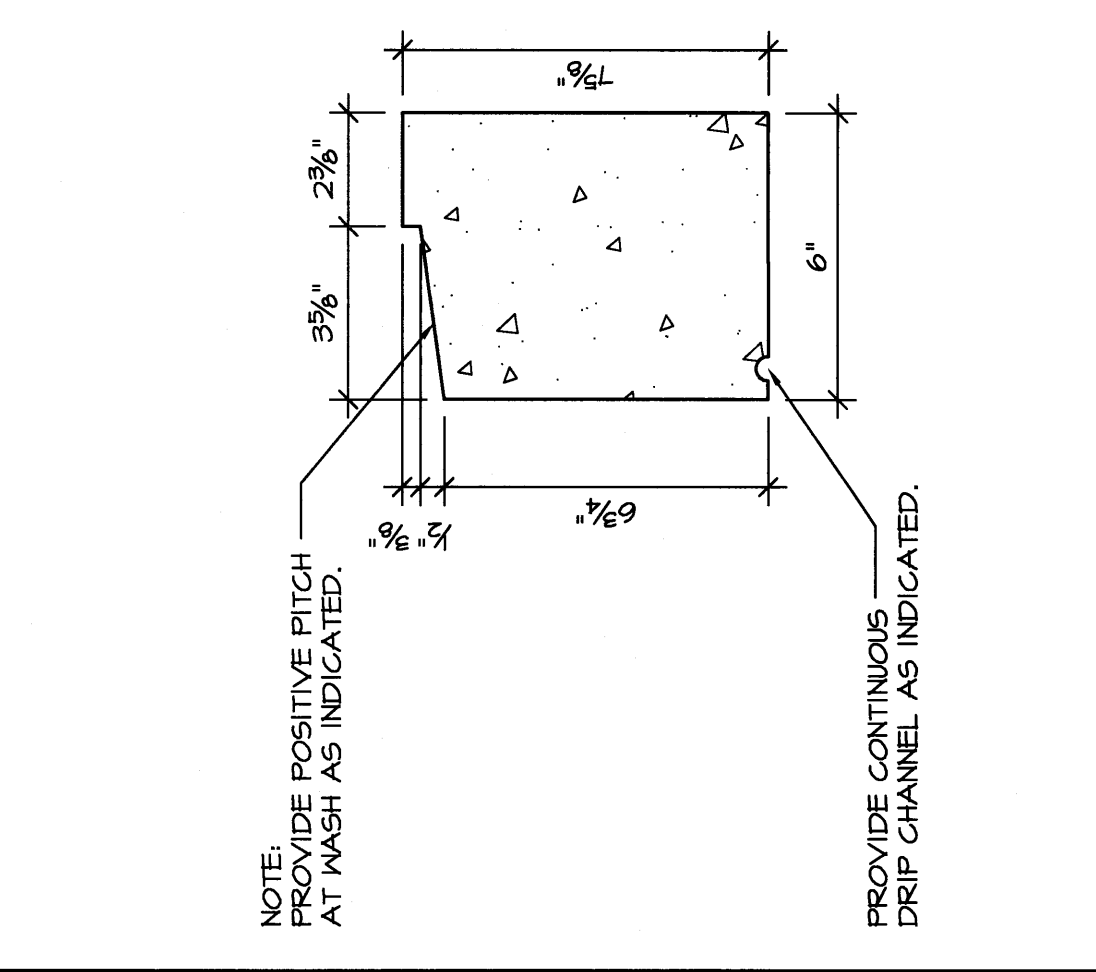
**E15** PRECAST CONCRETE HEADER ELEVATION  
3/4" = 1'-0"



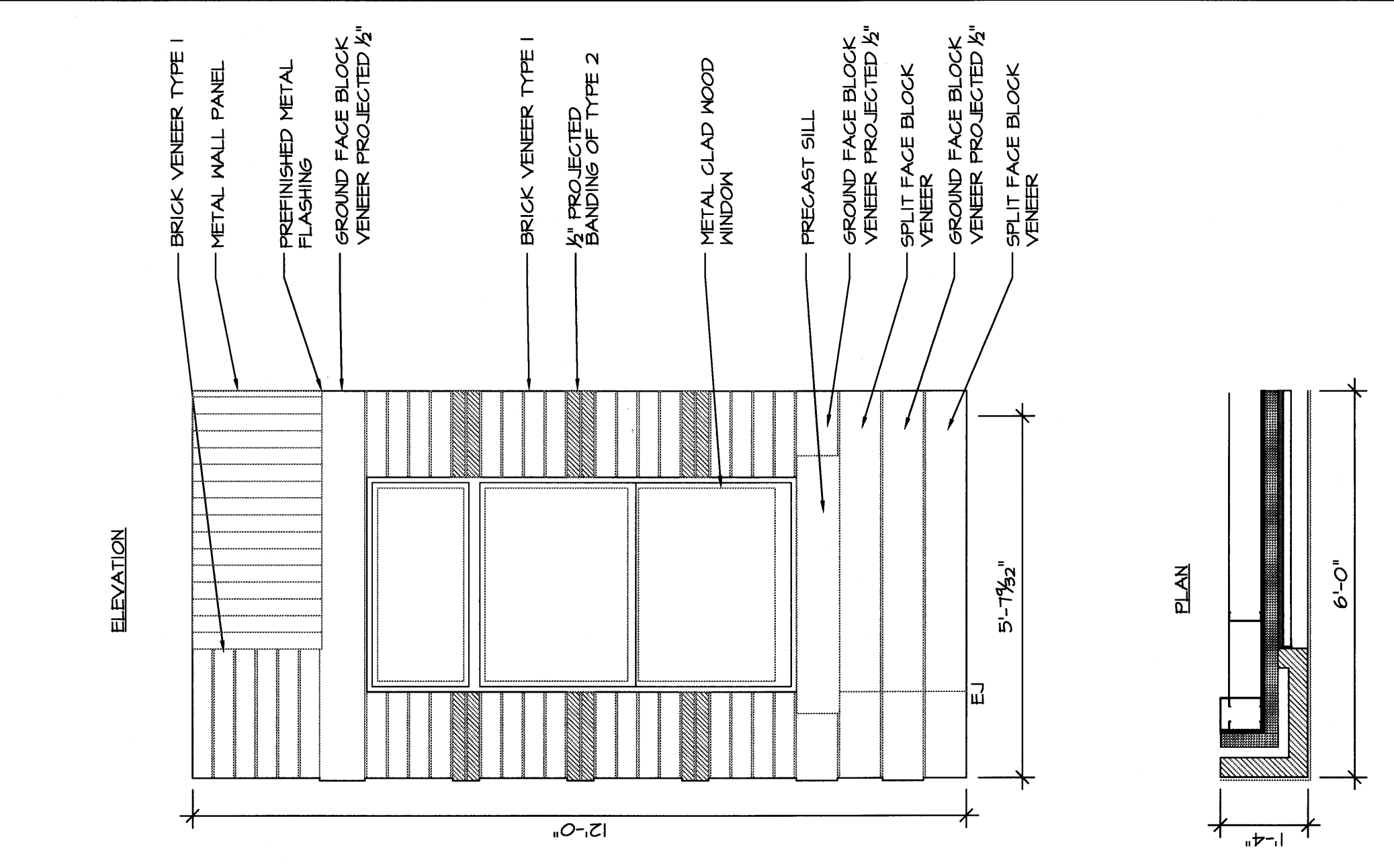
**E11** PRECAST CONCRETE HEADER SECTION  
3/4" = 1'-0"



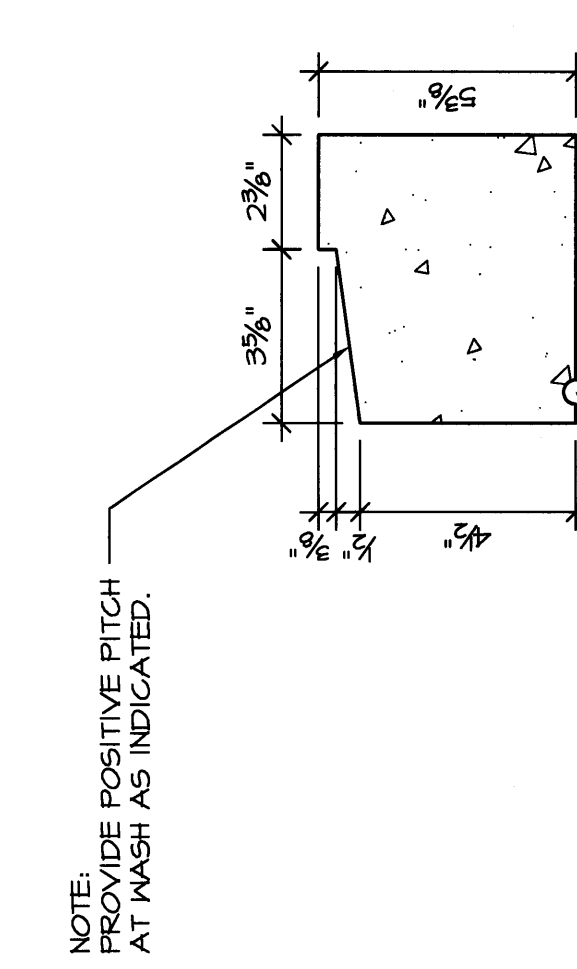
**A15** PRECAST CONCRETE SILL ELEVATION  
3/4" = 1'-0"



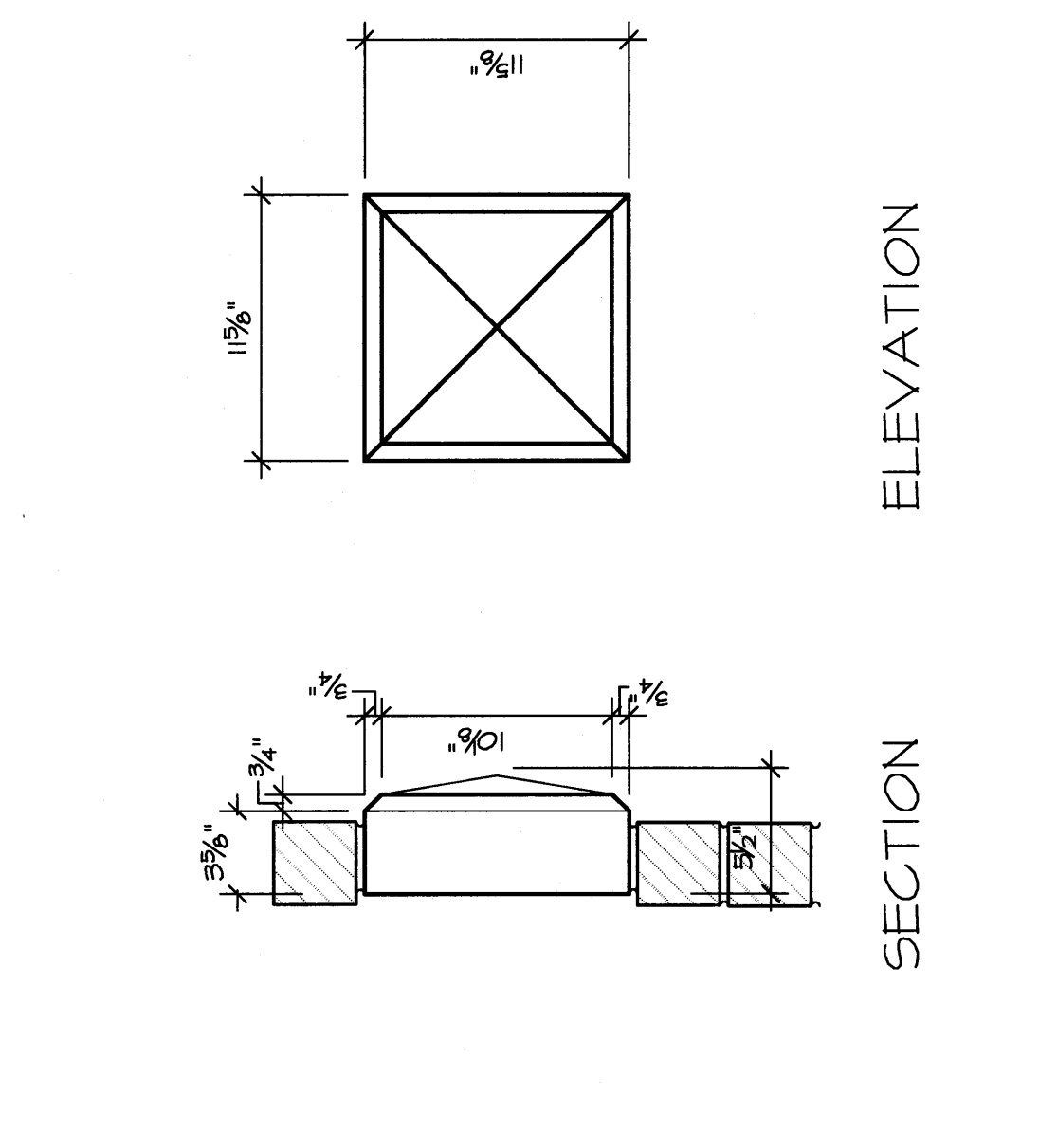
**A11** PRECAST CONCRETE SILL SECTION  
3/4" = 1'-0"



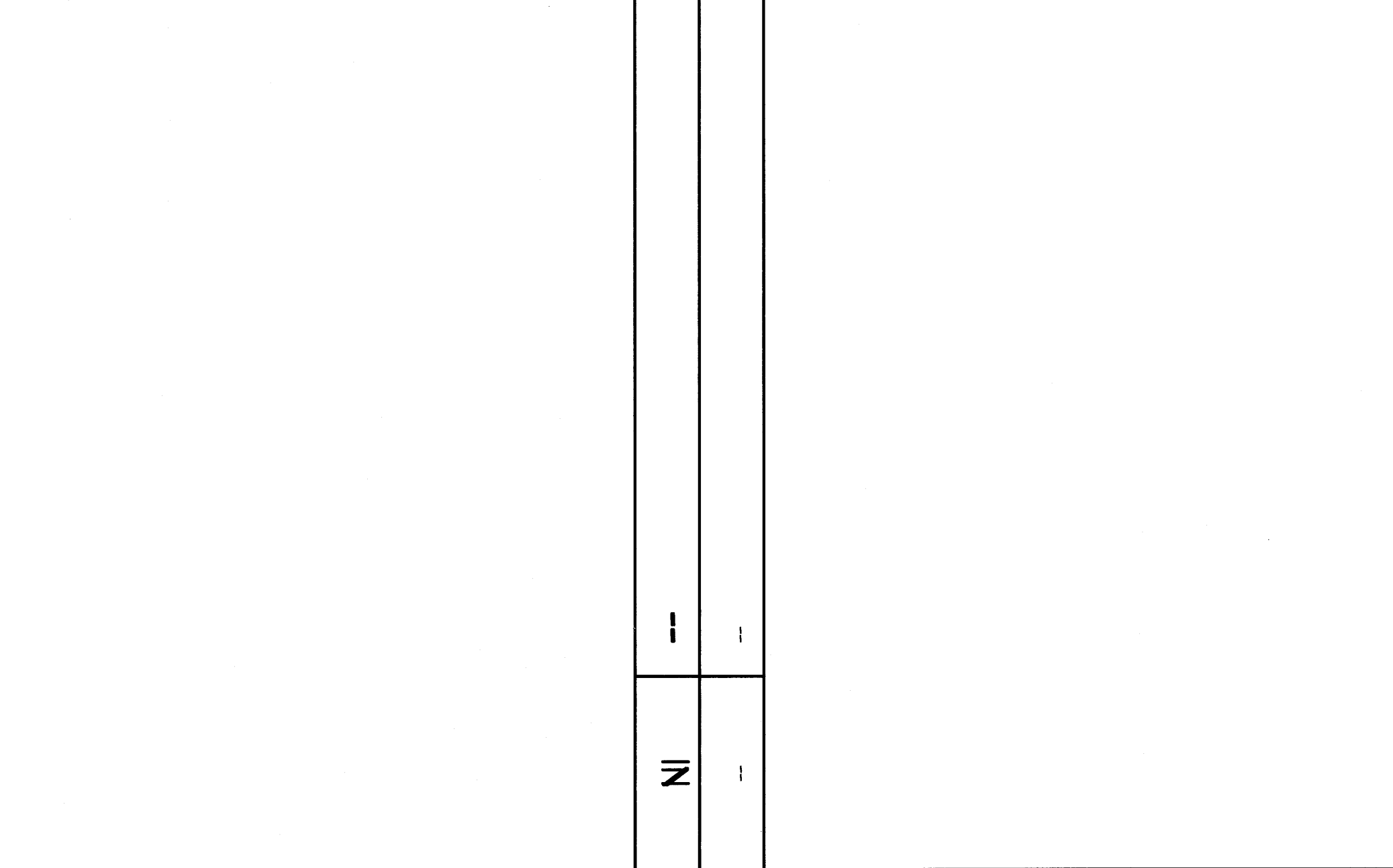
**J6** MOCK UP DETAIL  
1/2" = 1'-0"



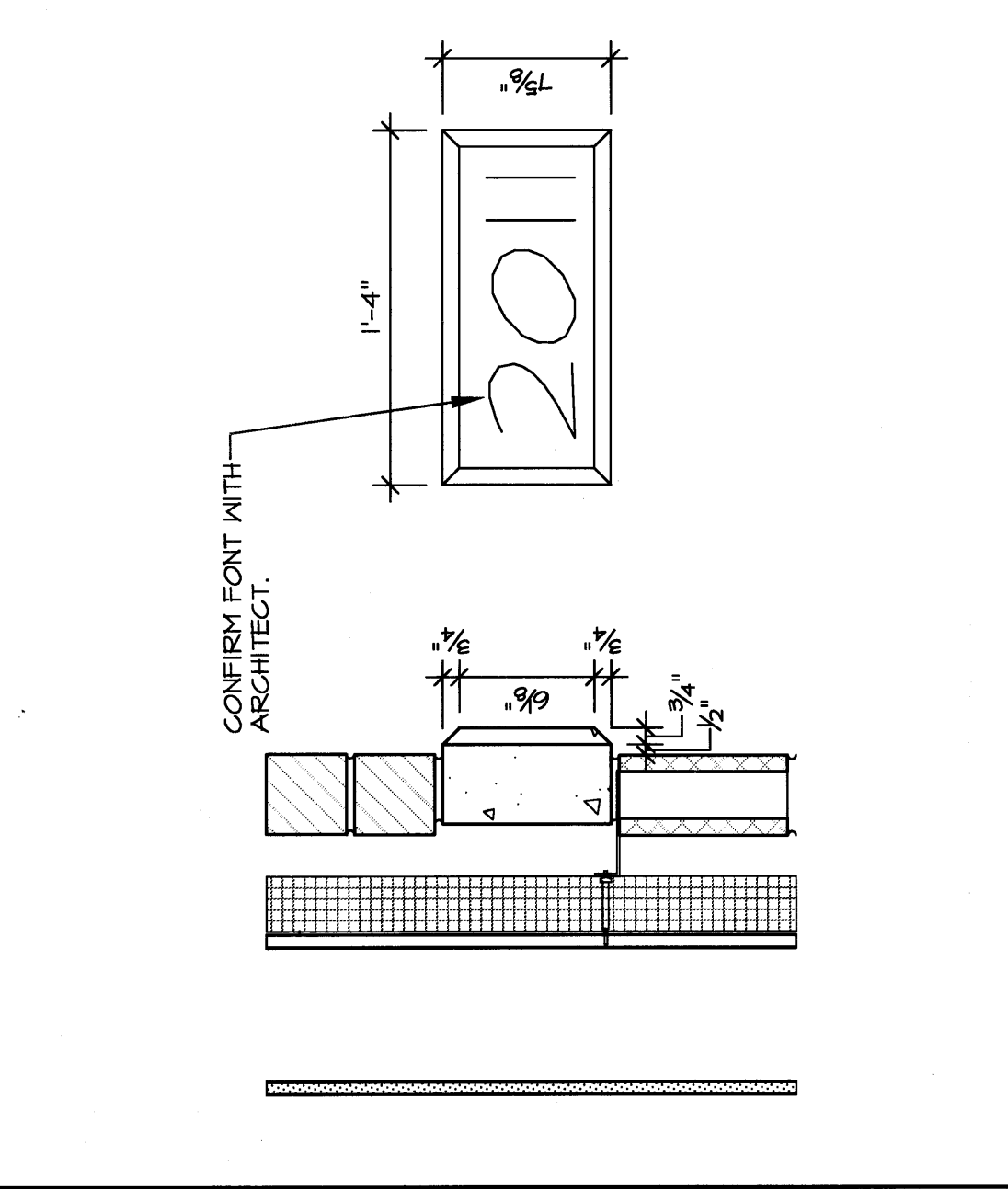
**E4** PRECAST CONCRETE SILL SECTION  
3/4" = 1'-0"



**A4** PRECAST CONCRETE DETAIL BLOCKS  
1/2" = 1'-0"



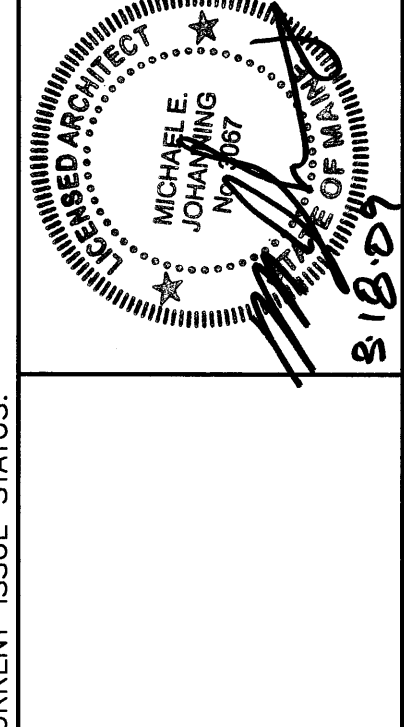
**J1** PRECAST CONCRETE BLOCK  
1/2" = 1'-0"



**A1** PRECAST CONCRETE BLOCK  
1/2" = 1'-0"

REV.	DESCRIPTION	DATE
0		00.00.00

PERMIT APPLICATION  
SUBMISSION 3-18-09  
CURRENT ISSUE STATUS:



**WBRC**  
ARCHITECTS - ENGINEERS  
331610  
WWW.WBRC.COM  
MICHAEL E. JOHNSON  
REGISTERED PROFESSIONAL ENGINEER  
STATE OF MICHIGAN  
LICENSE NO. 331610

OCEAN AVENUE ELEMENTARY  
SCHOOL  
PROJECT:

PRE-CAST DETAILS

SHEET TITLE:	331610-AE514
SCALE:	AS NOTED
PROJECT MANAGER:	MEJ
DRAWN BY:	STJ
CHECKED BY:	MEJ
SHEET NO.:	1
TOTAL SHEETS:	1