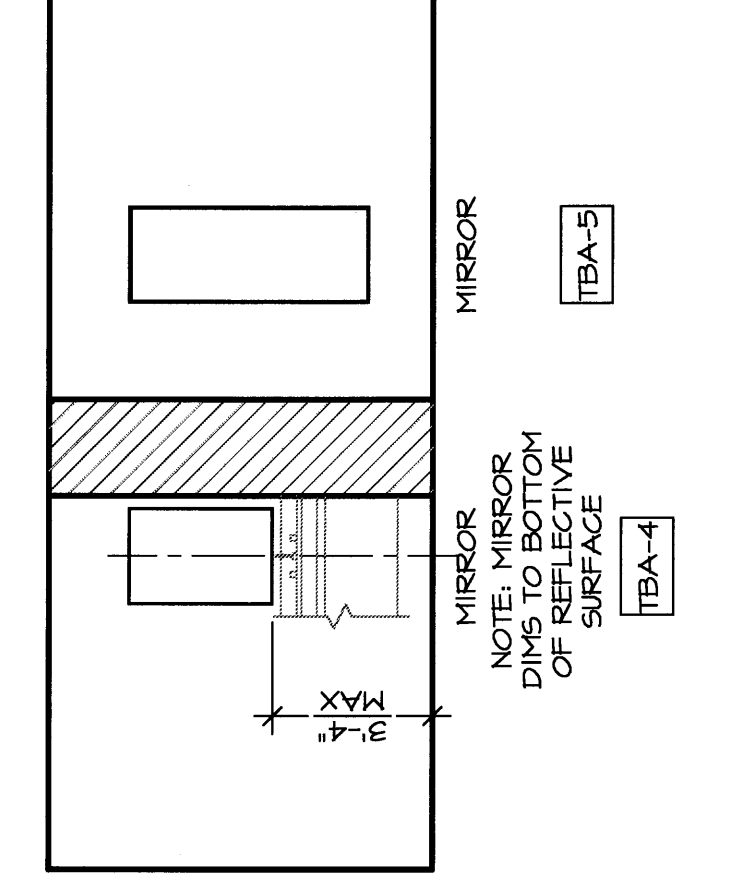
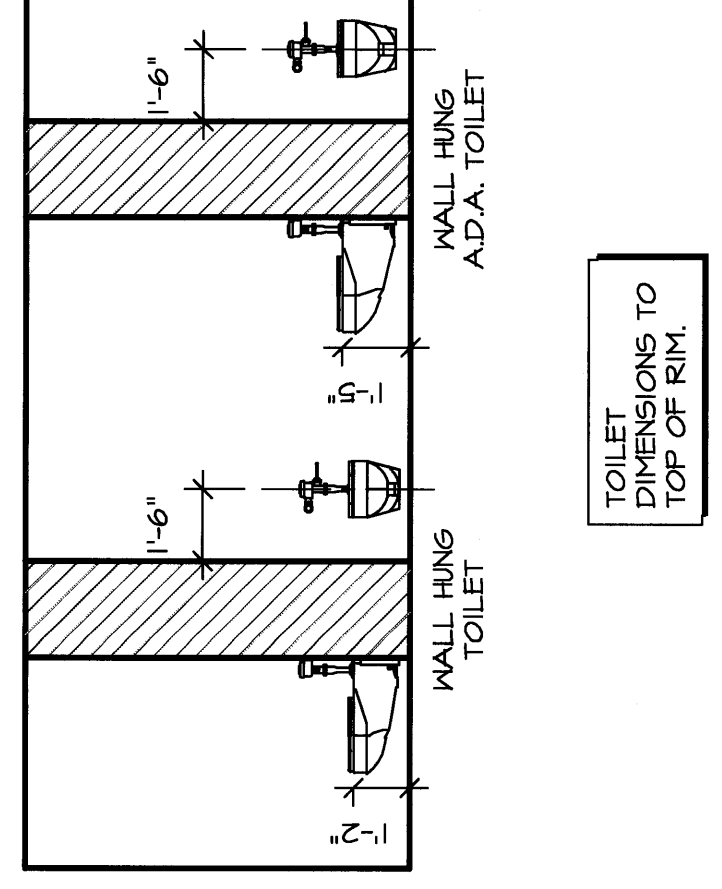
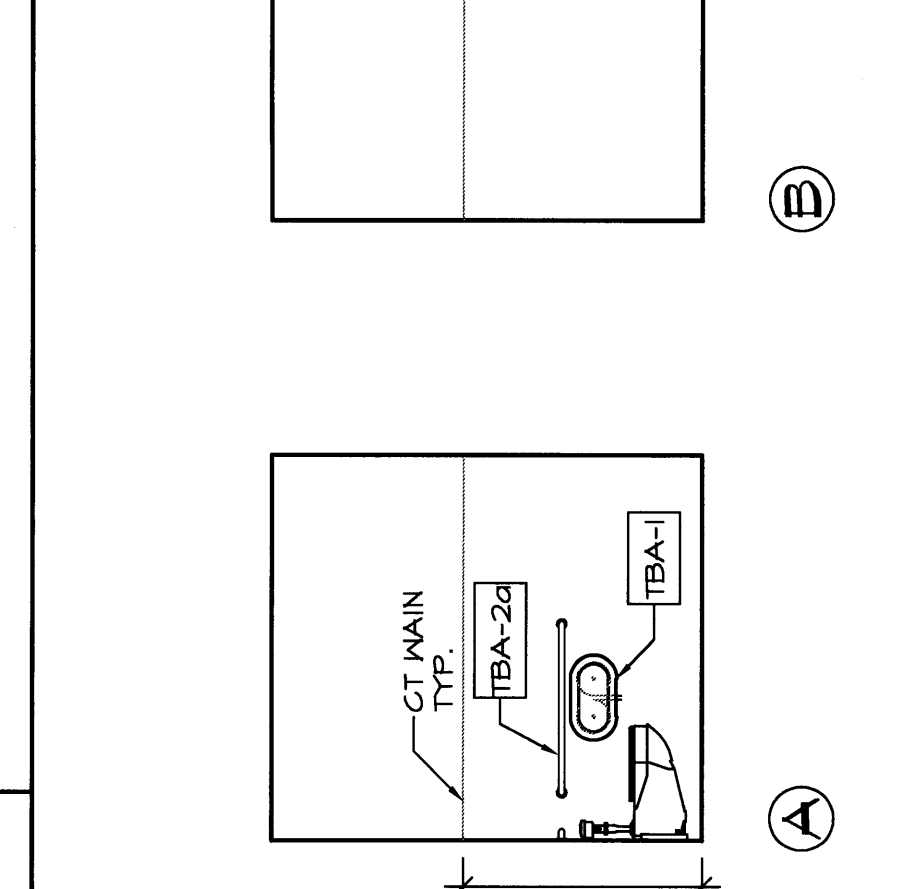


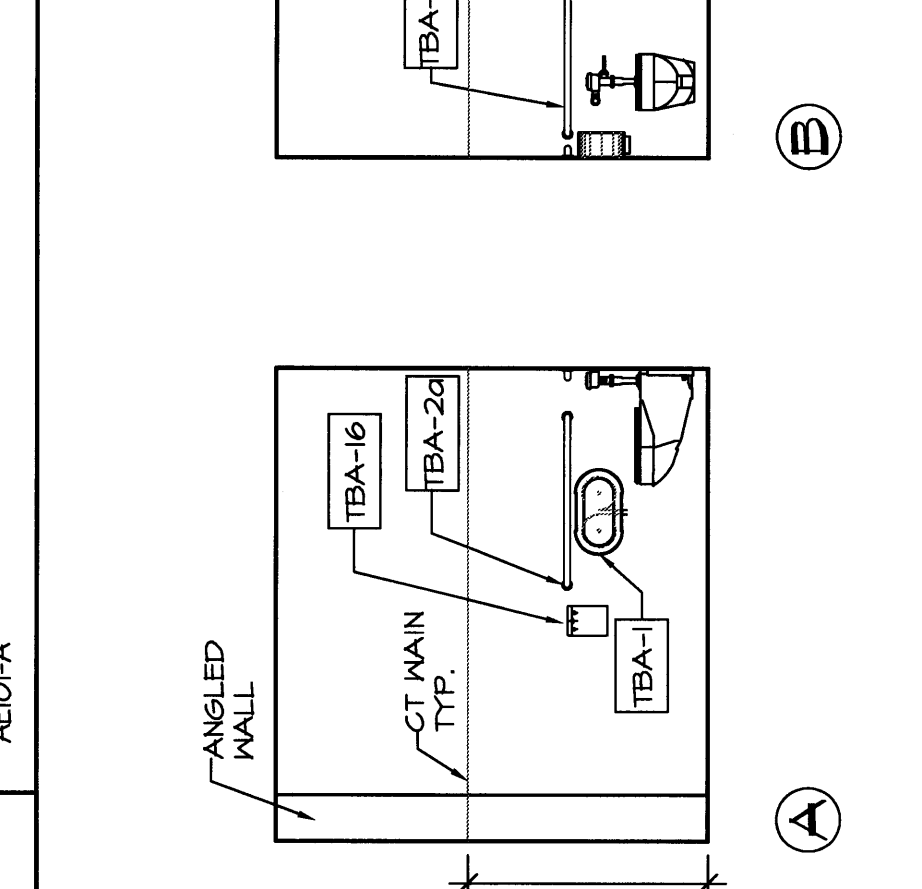
NOTE: MOUNTING HEIGHTS SHOWN ARE CLEARANCES REQUIRED FROM FINISHED FLOOR AND MALL MATERIALS.



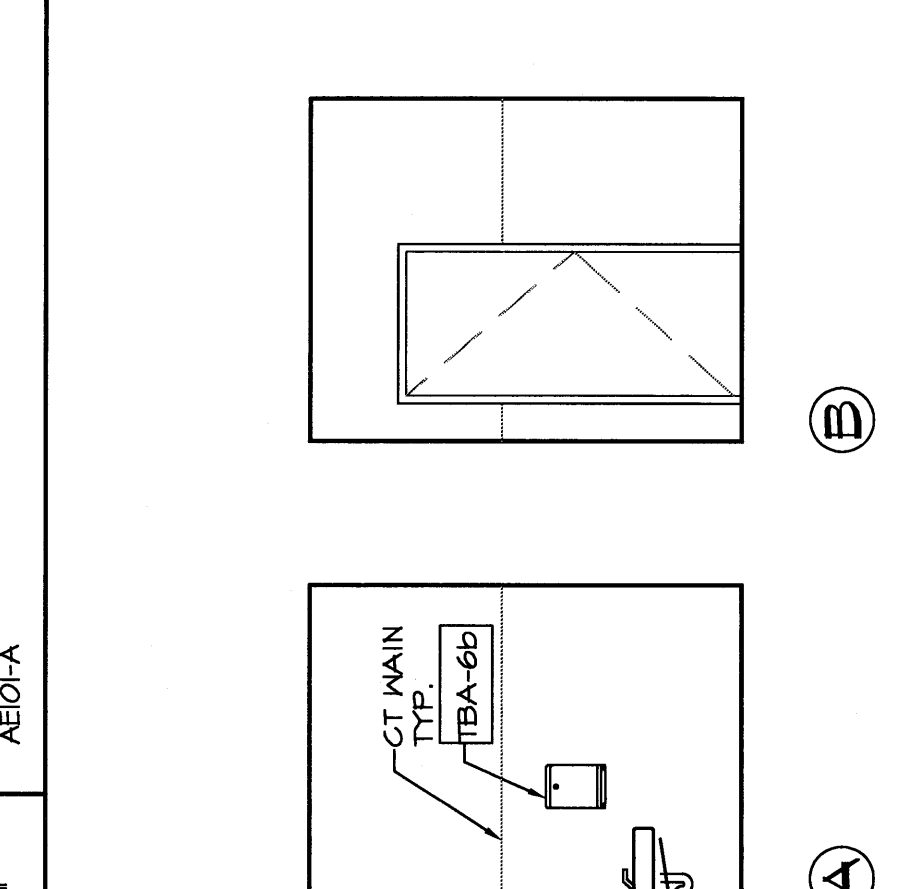
TI



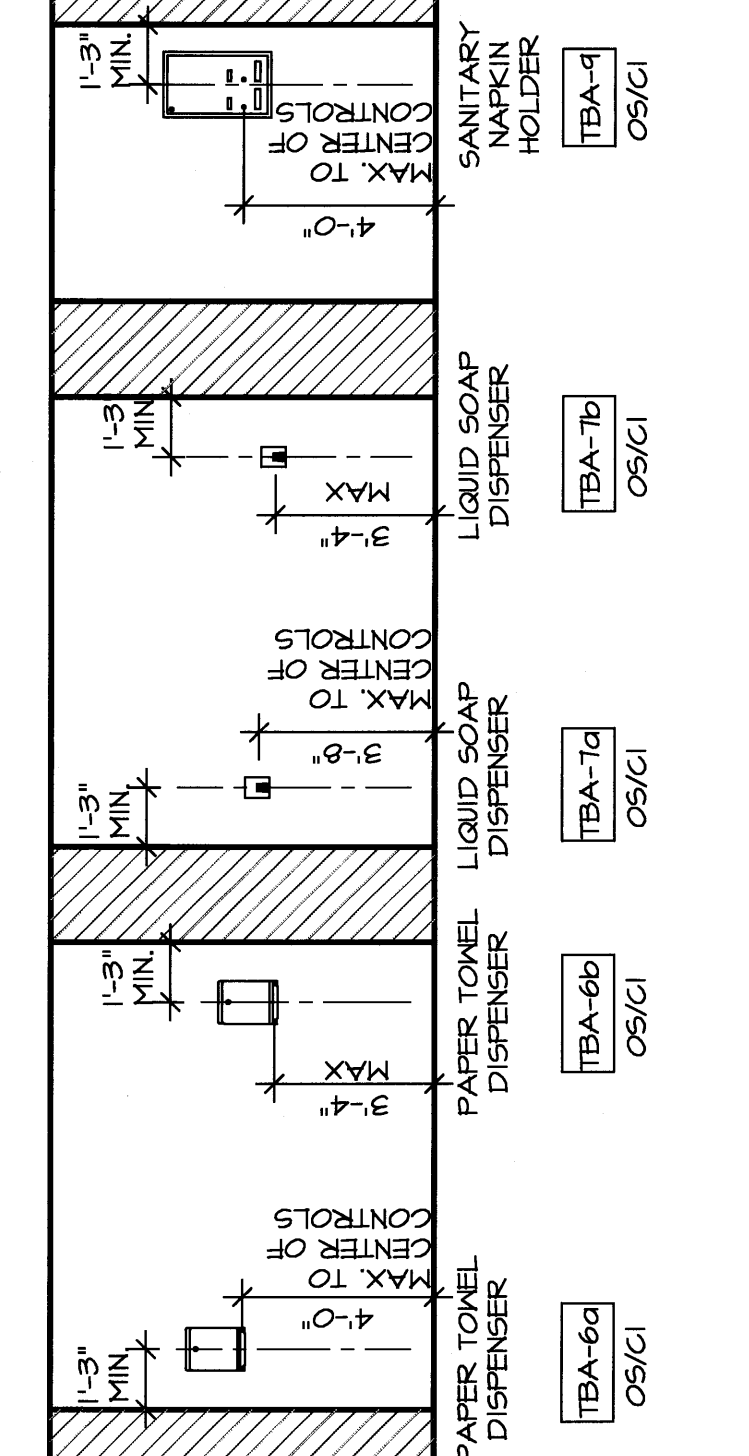
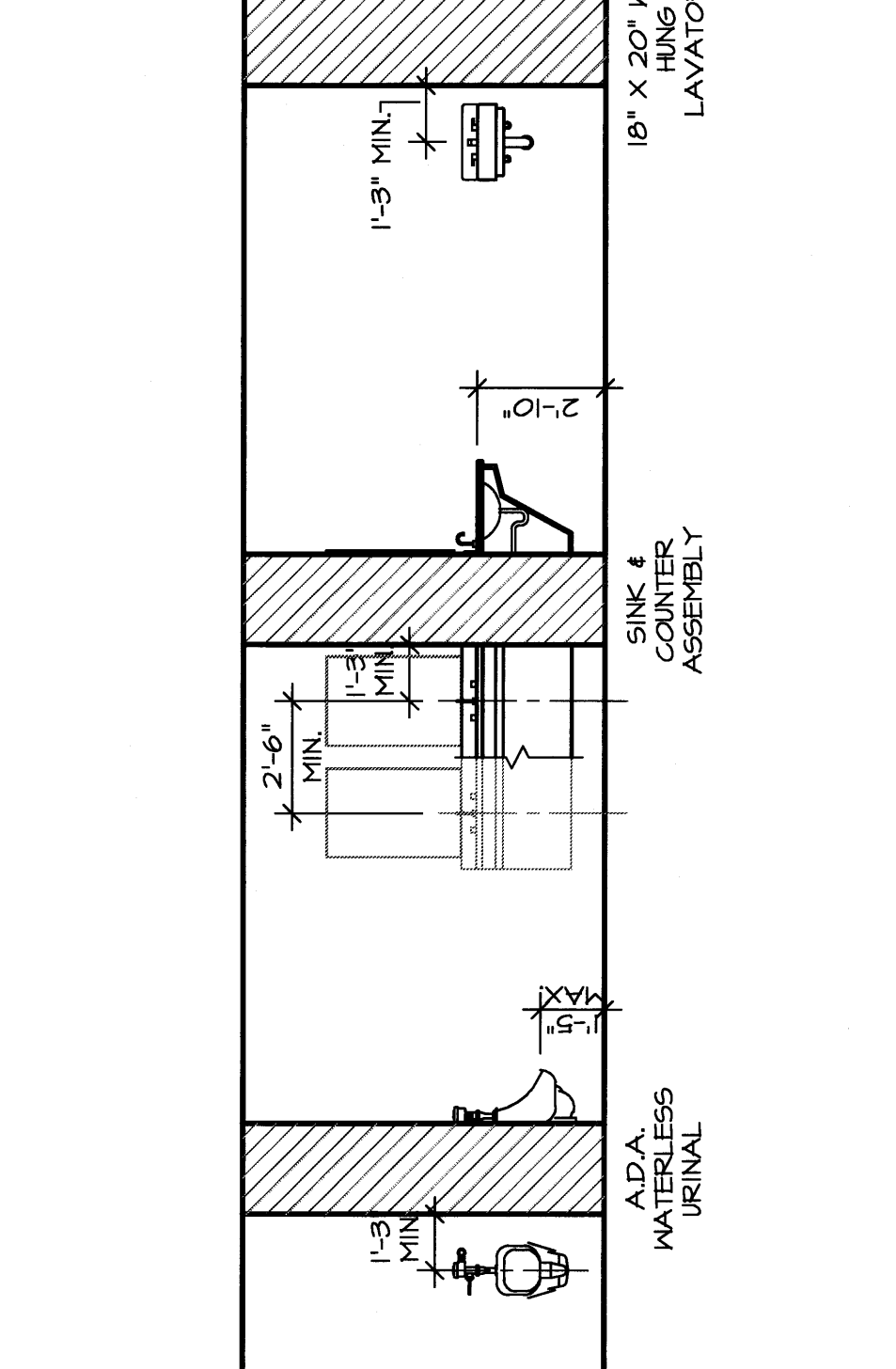
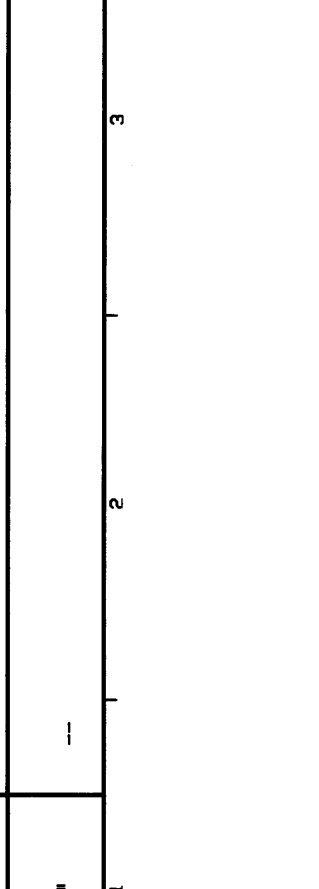
HI



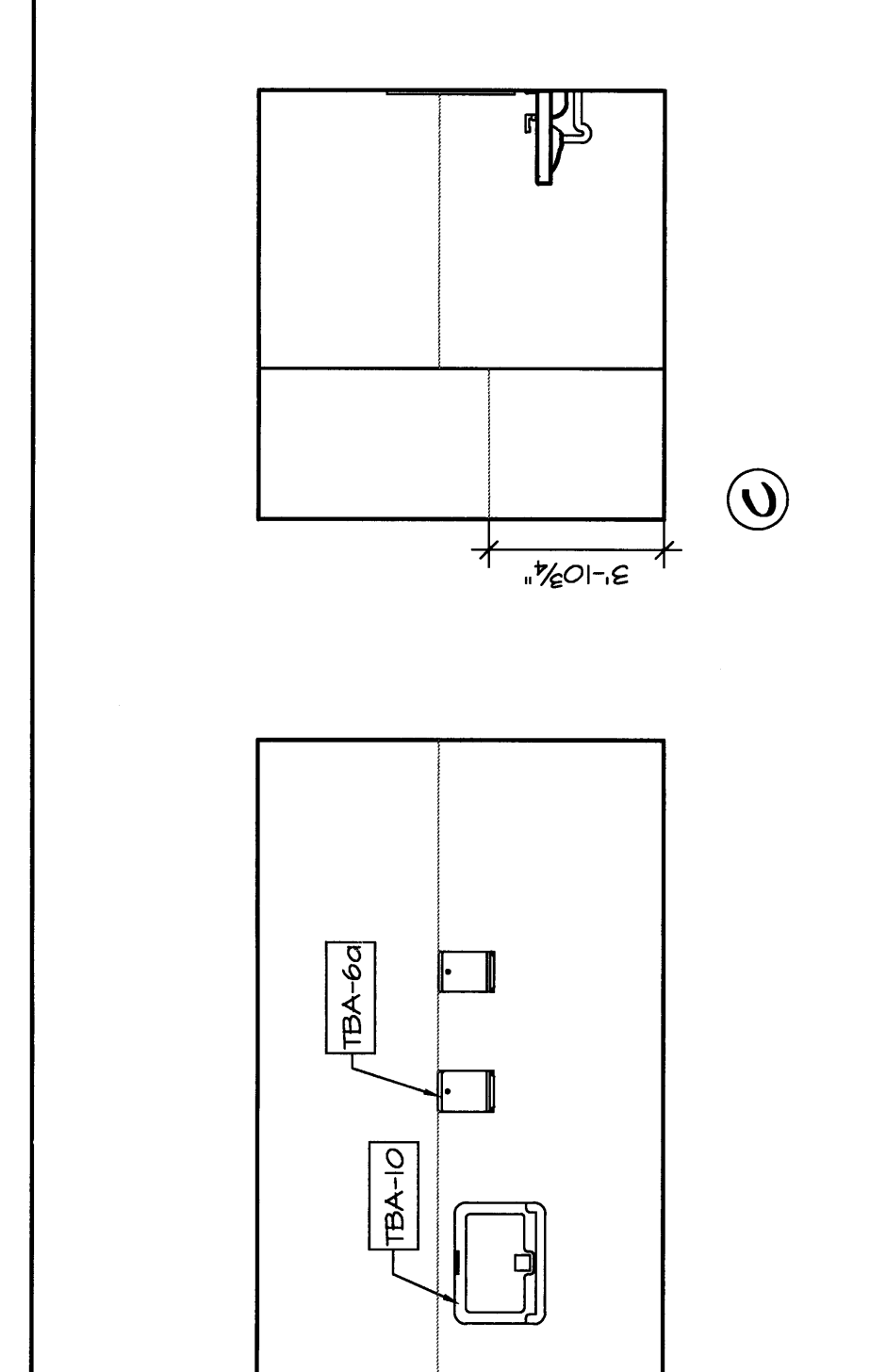
DI



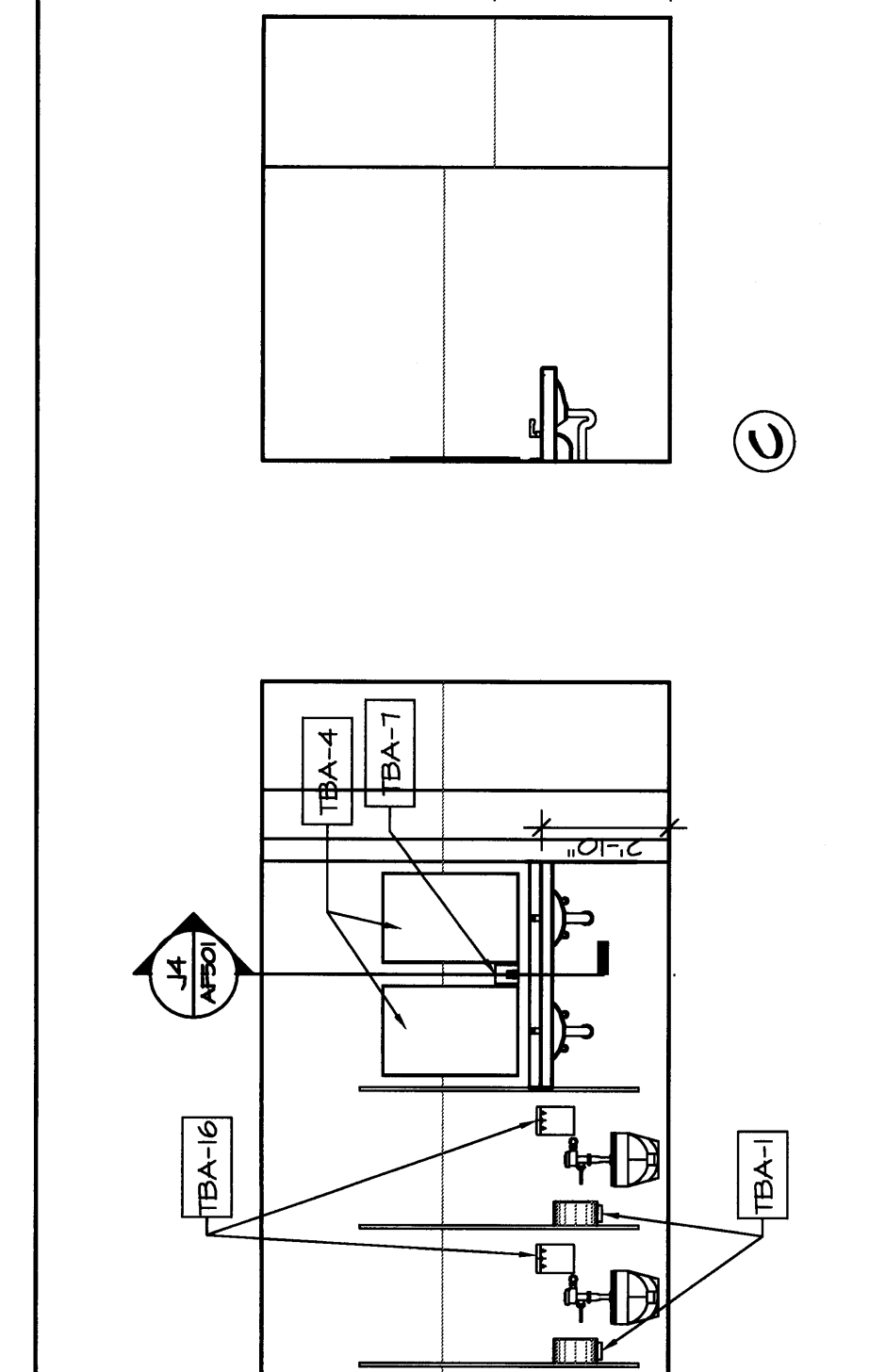
AI



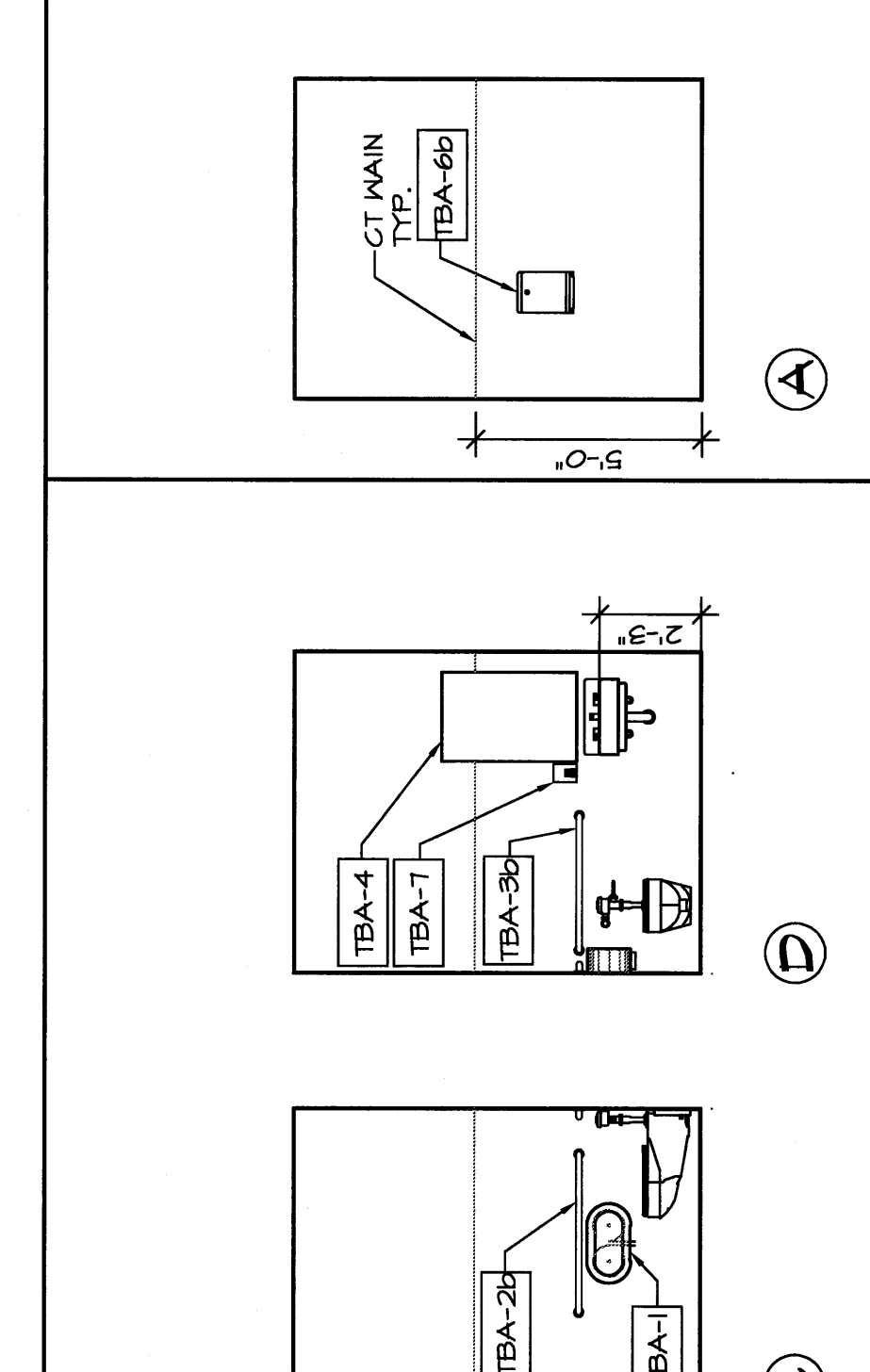
TI



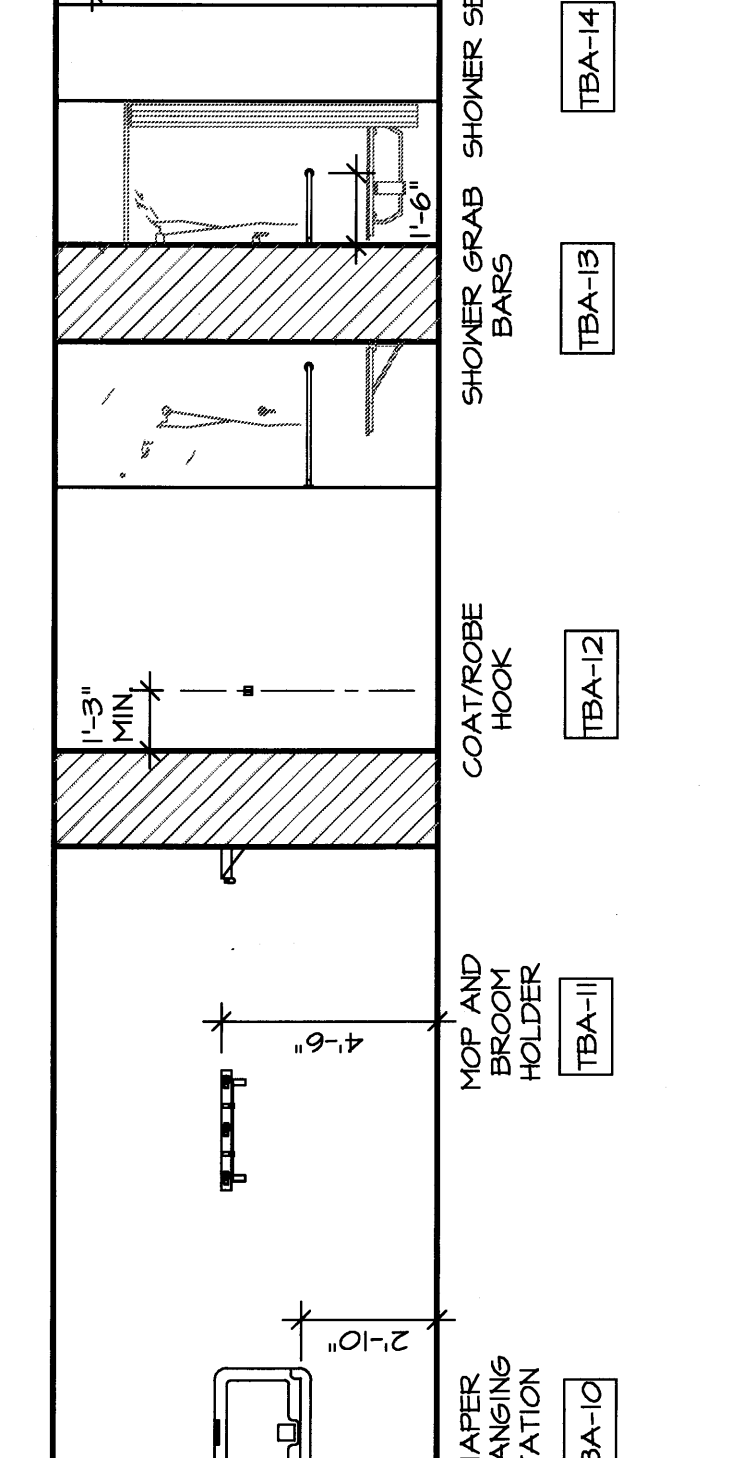
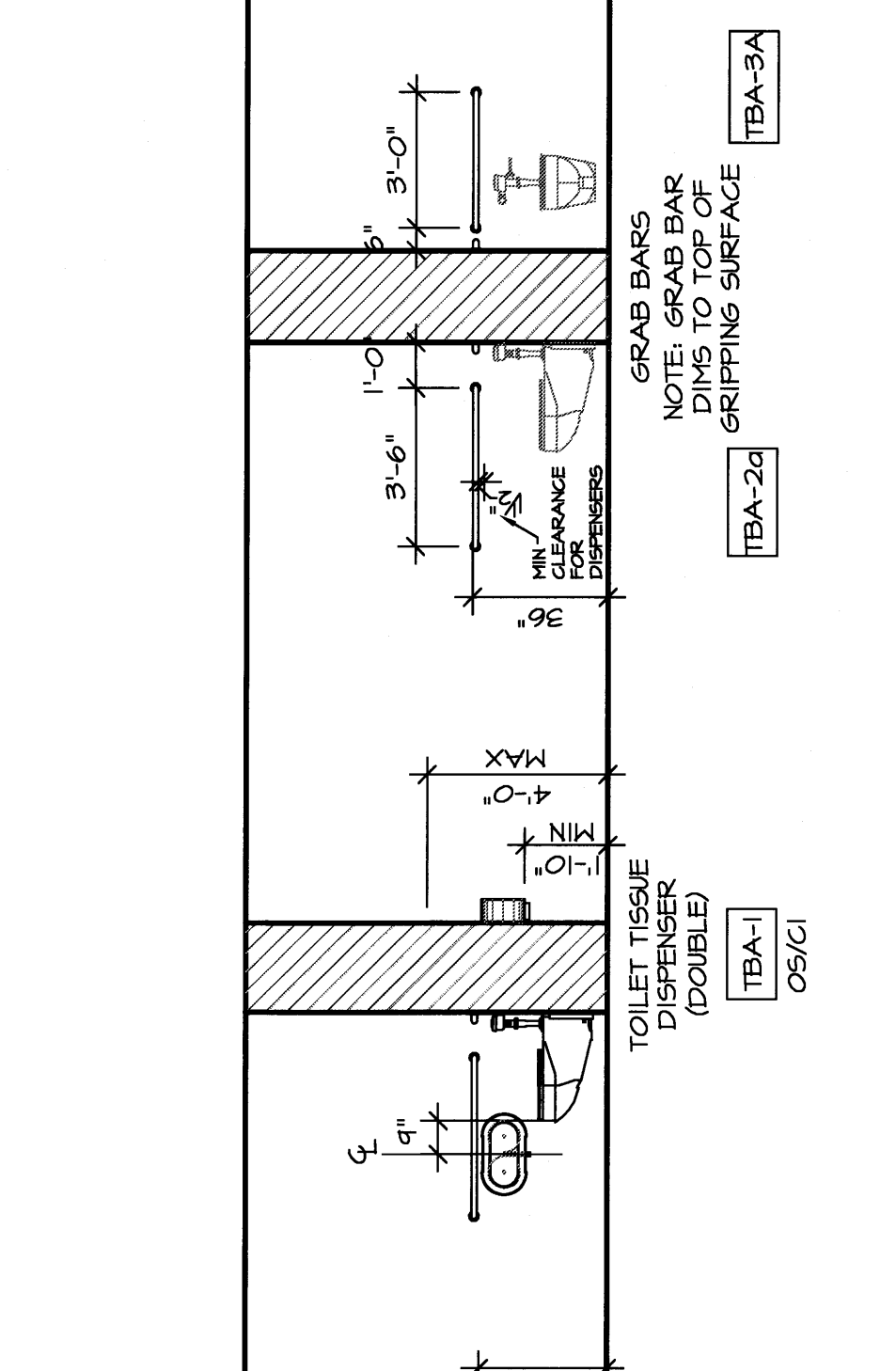
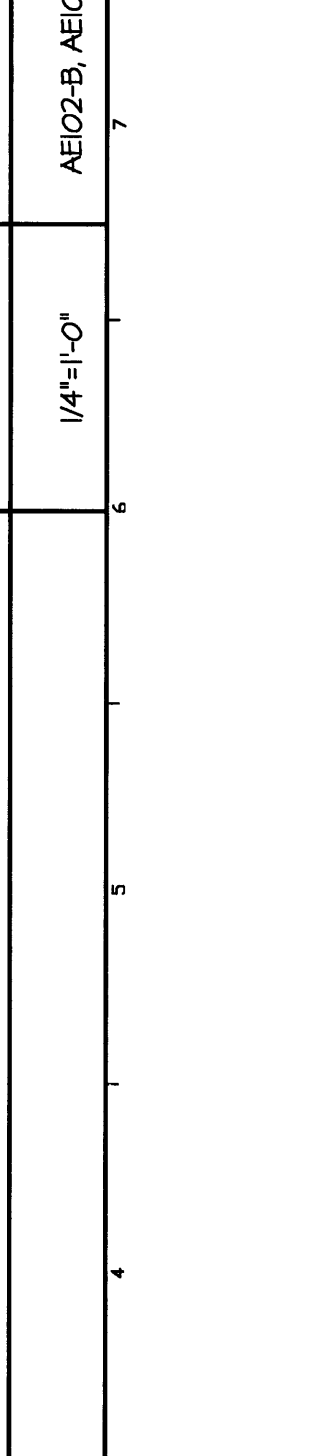
HI



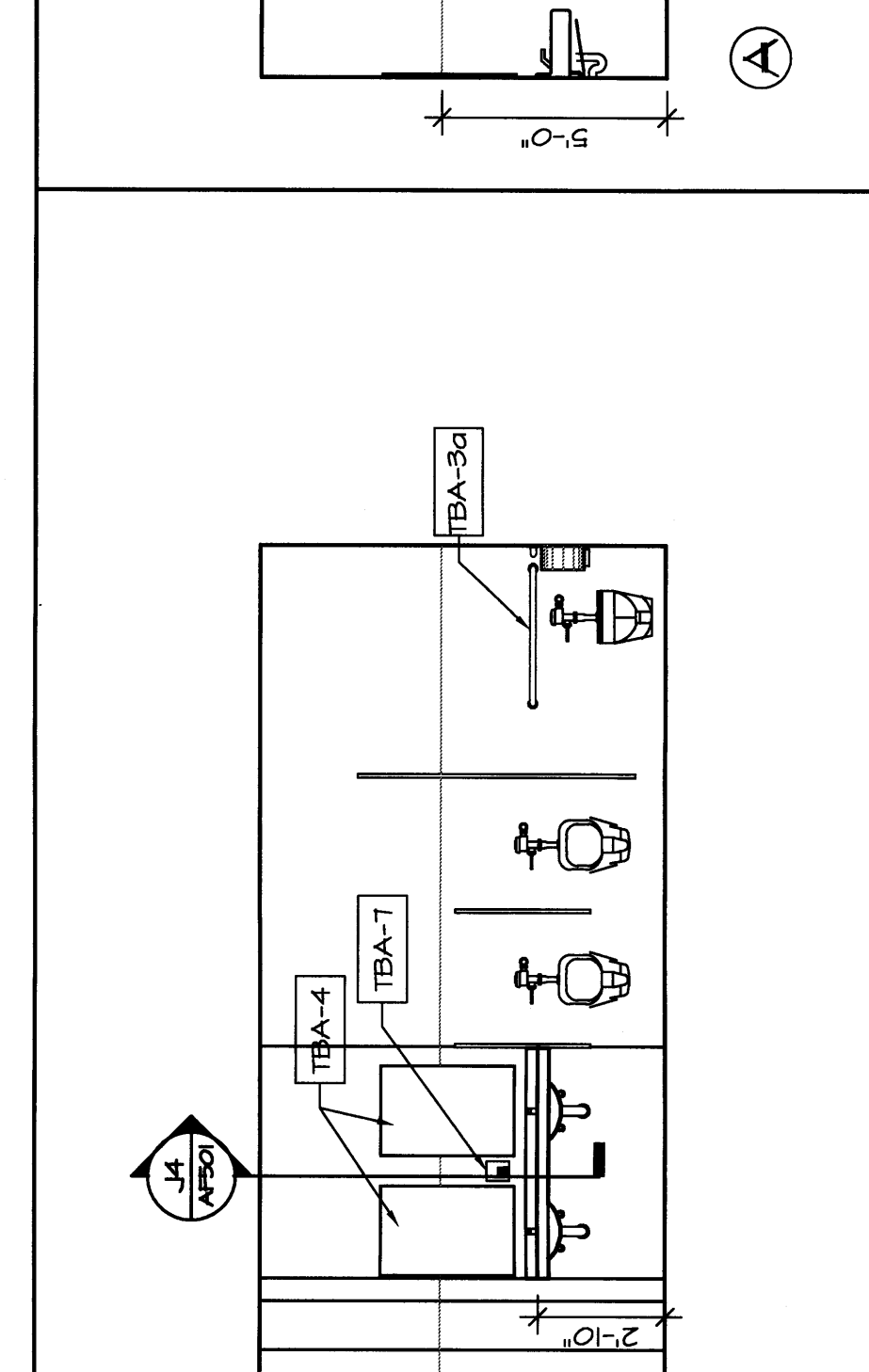
DI



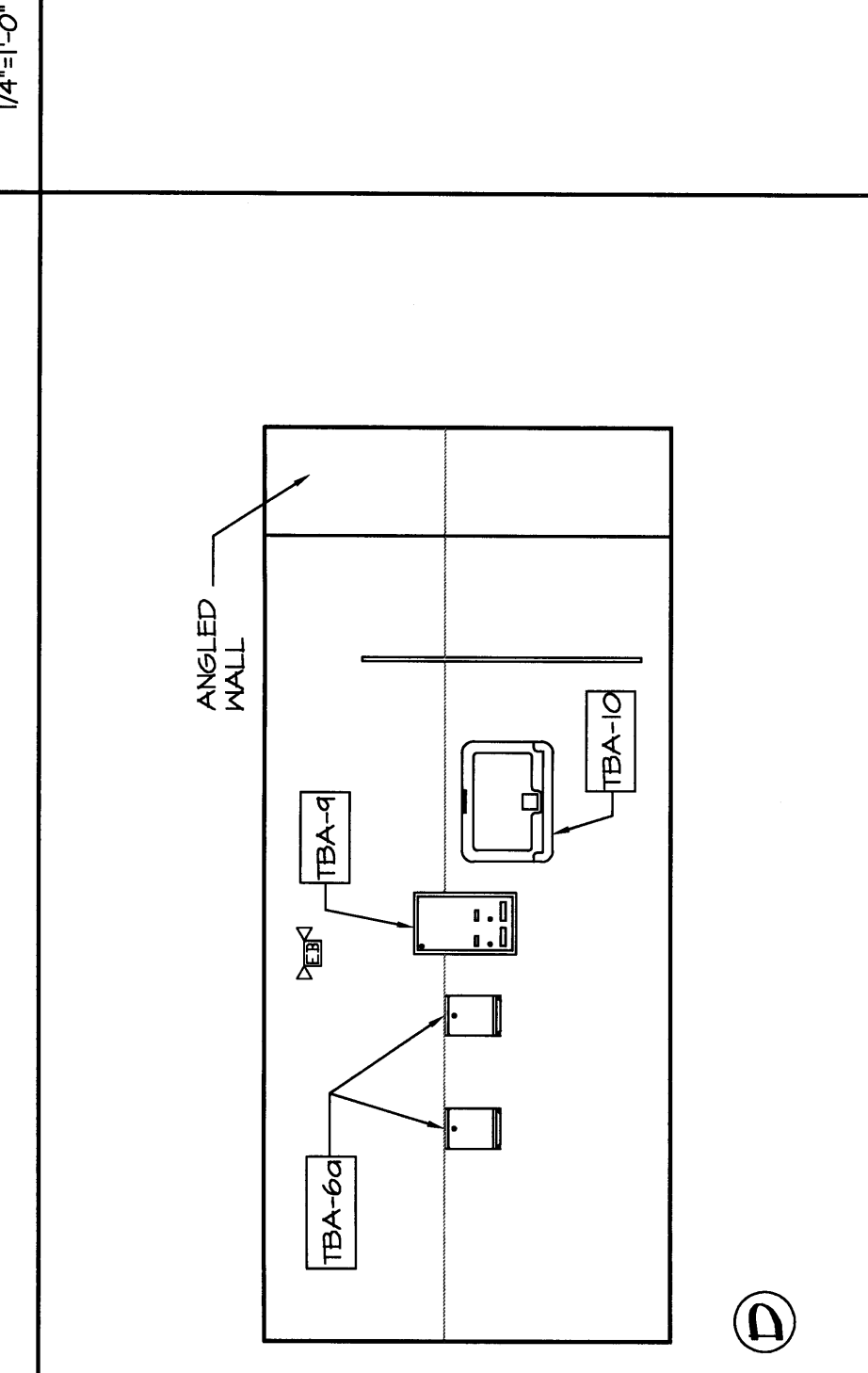
AI



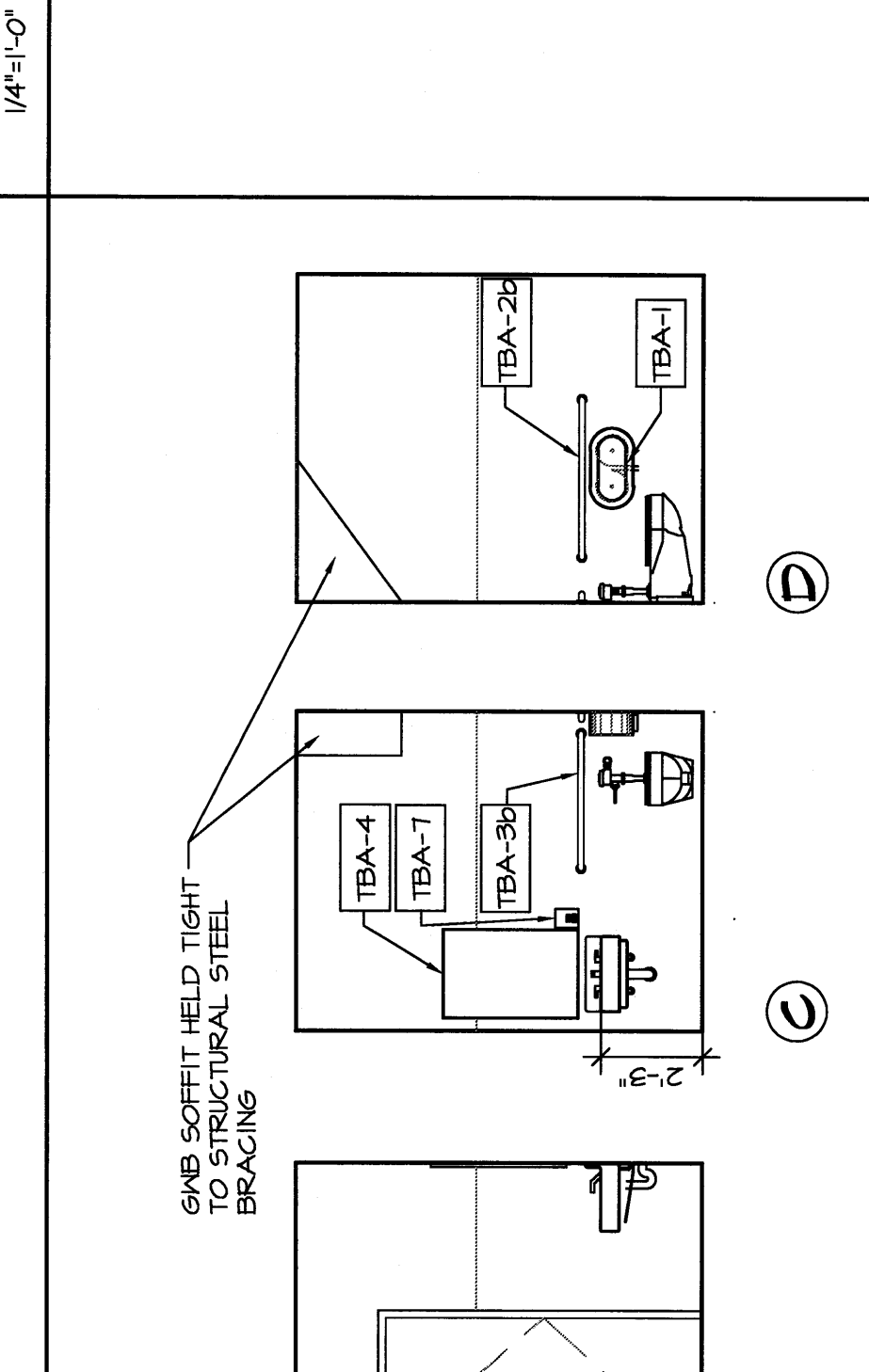
TI



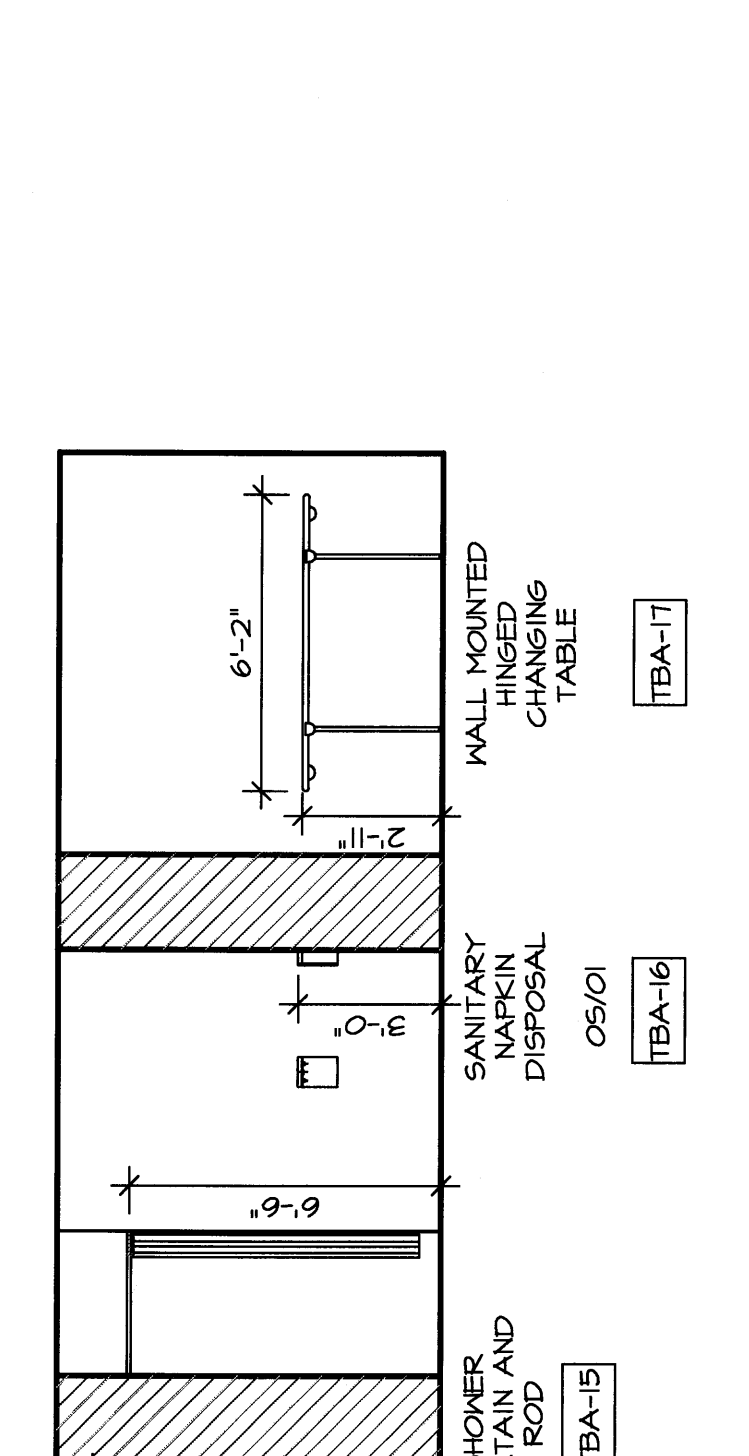
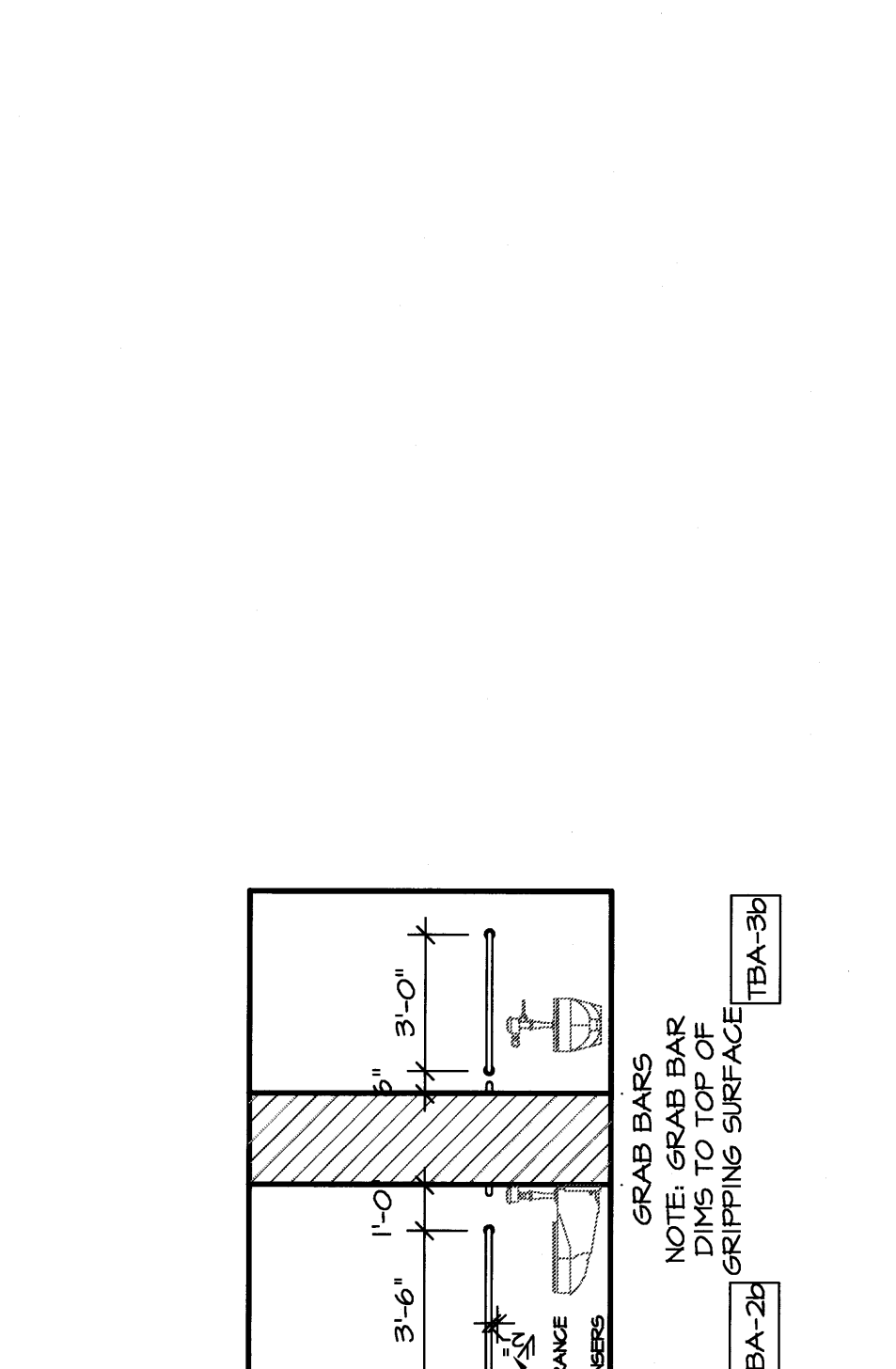
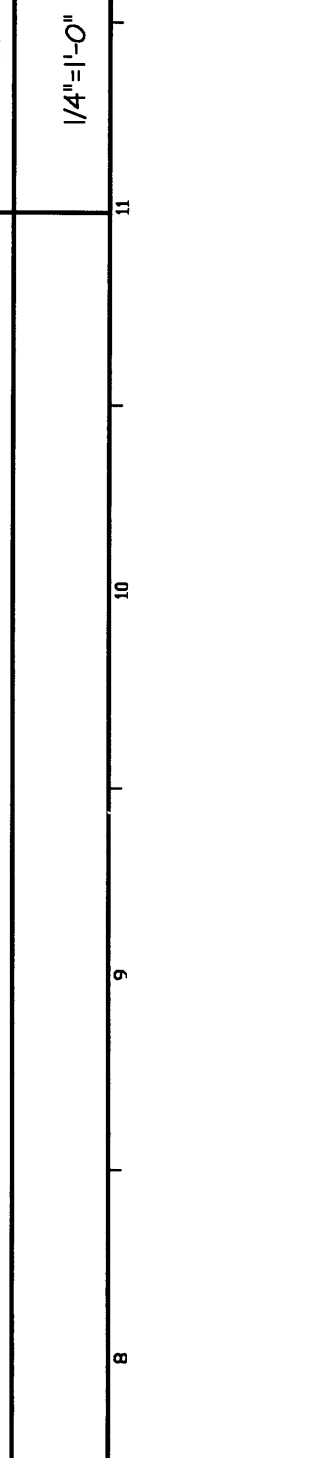
HI



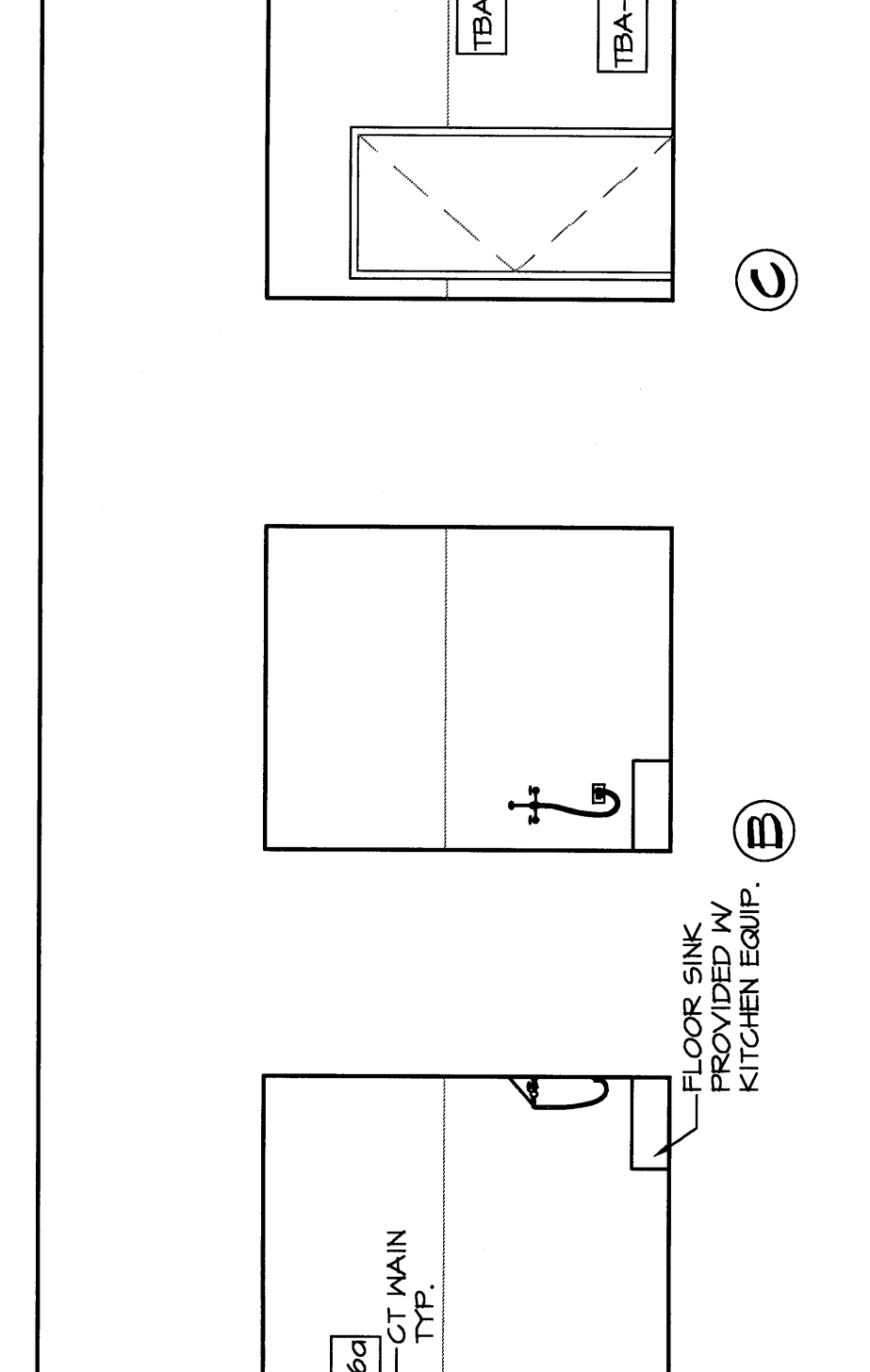
DI



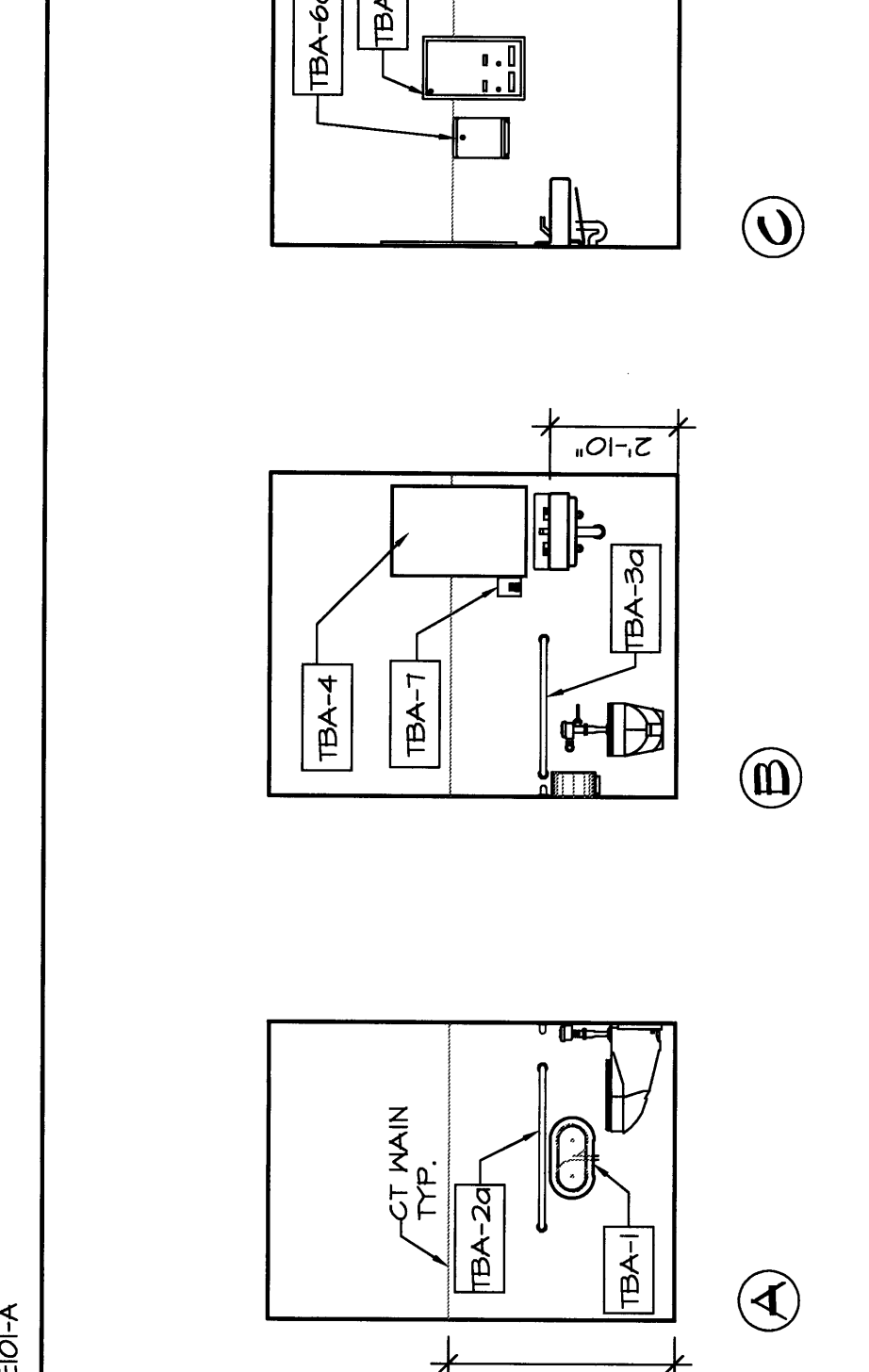
AI



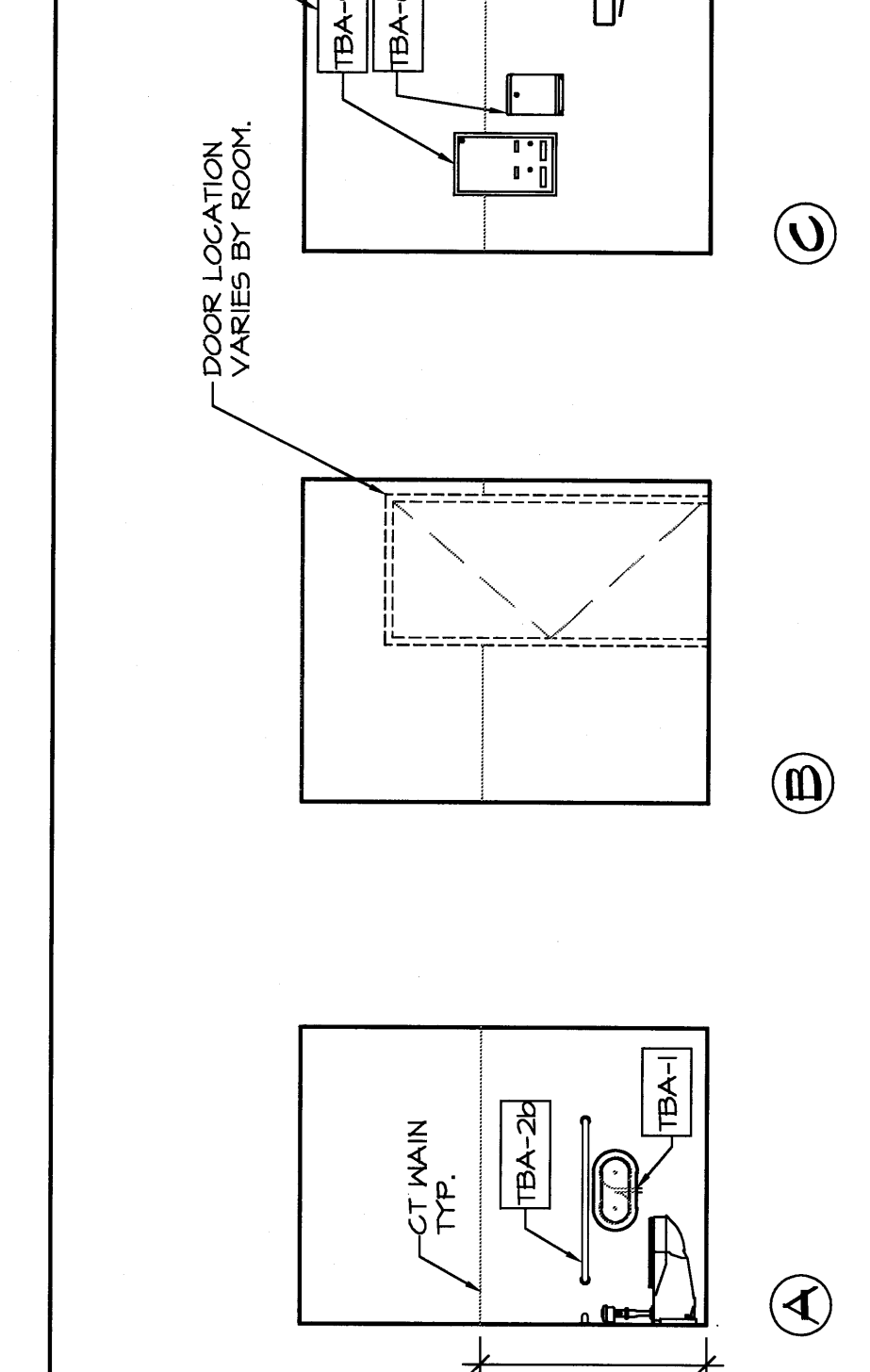
TI



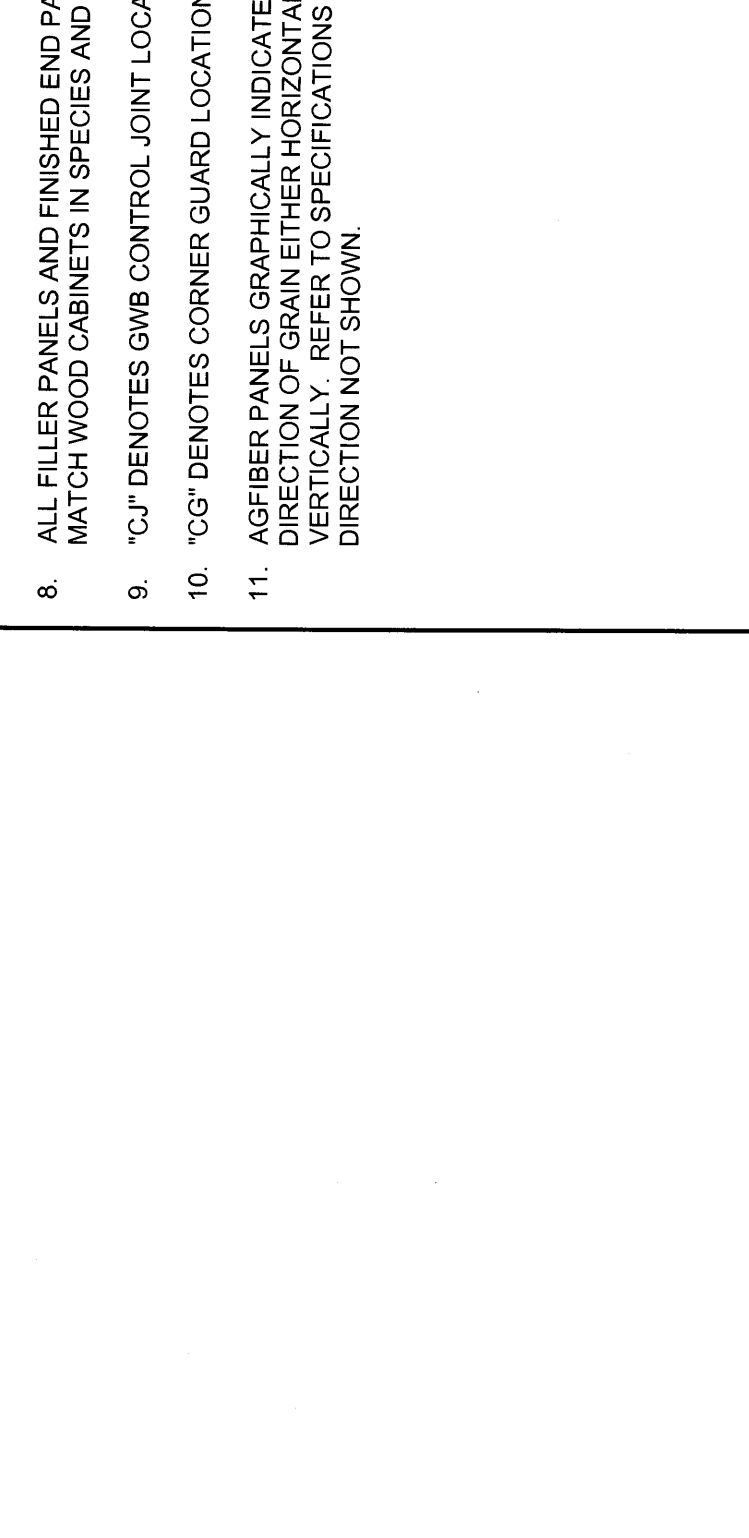
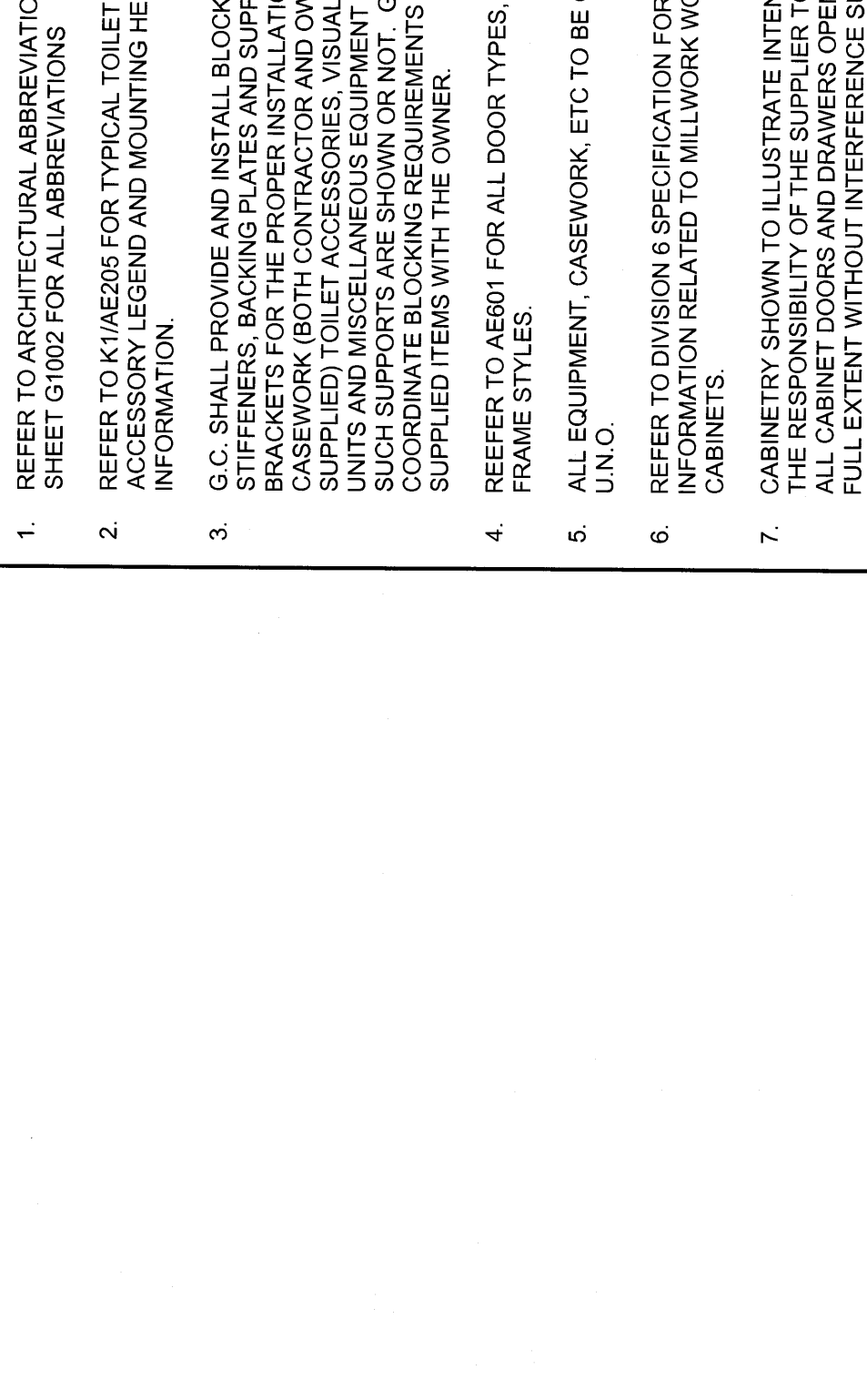
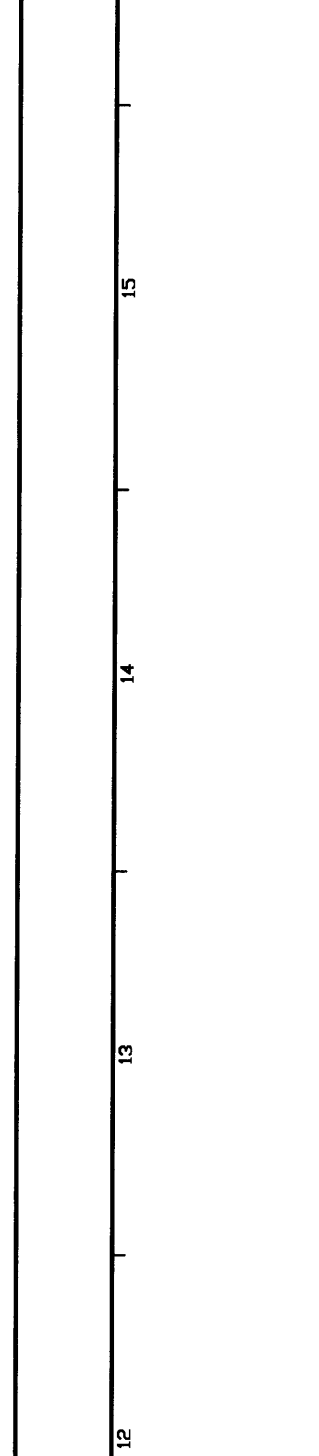
HI



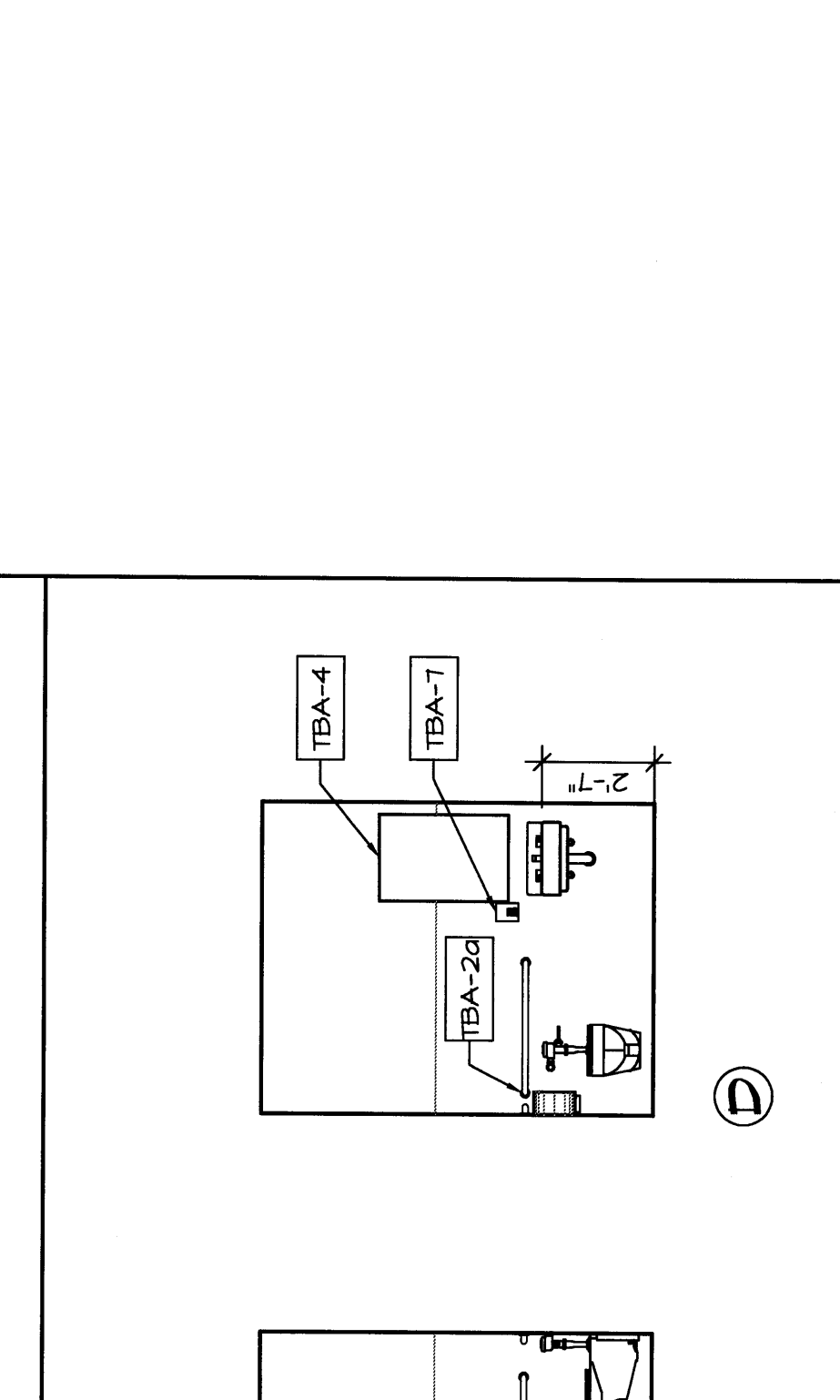
DI



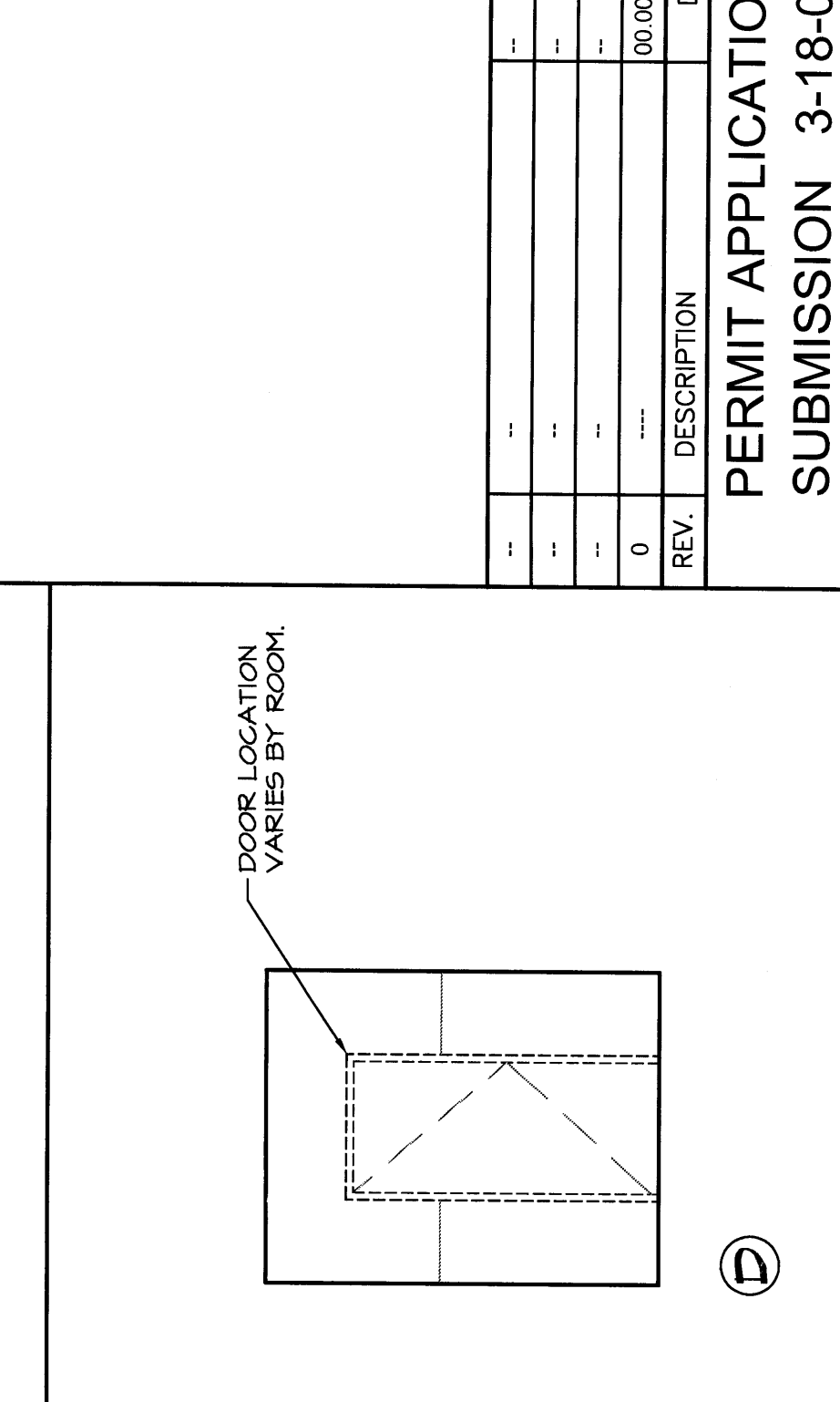
AI



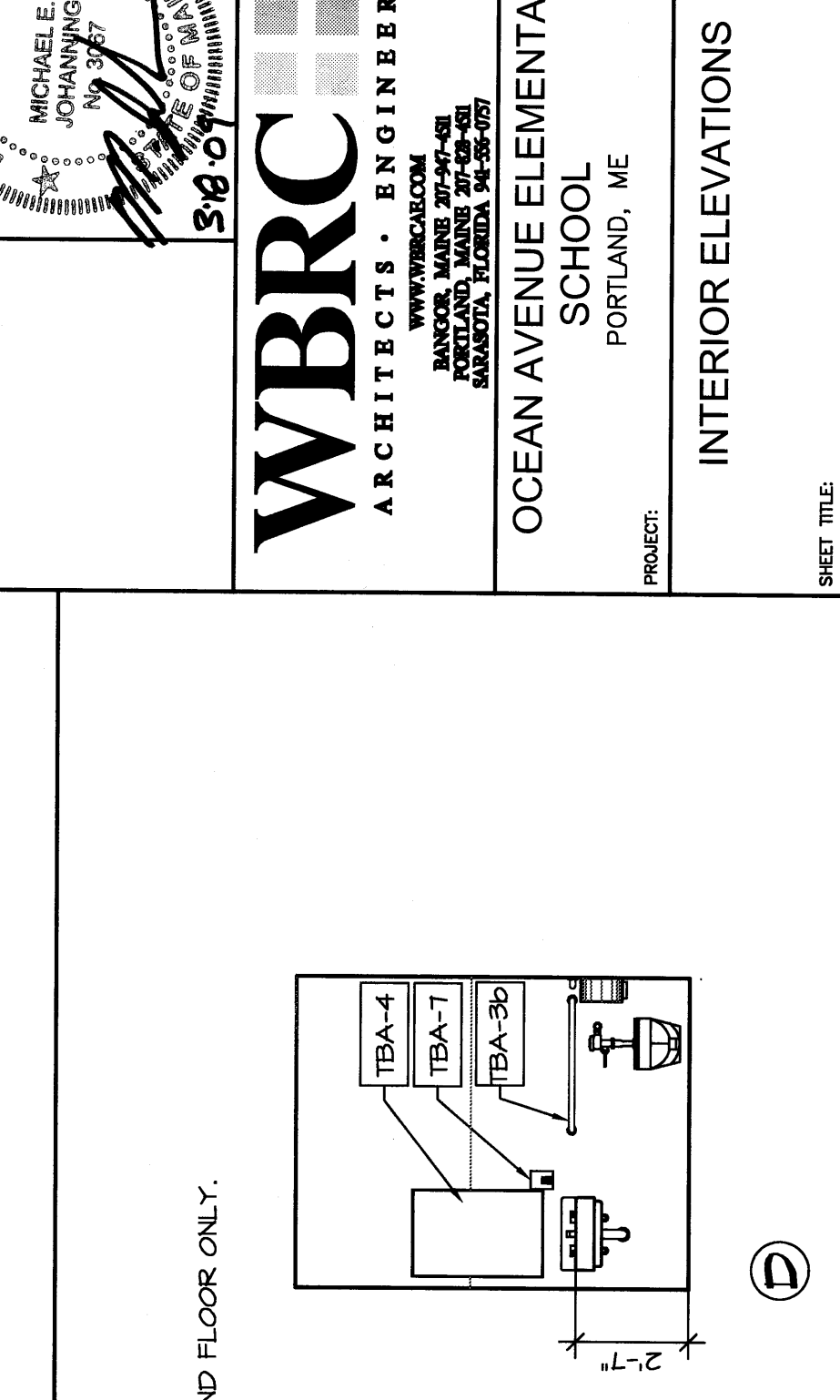
TI



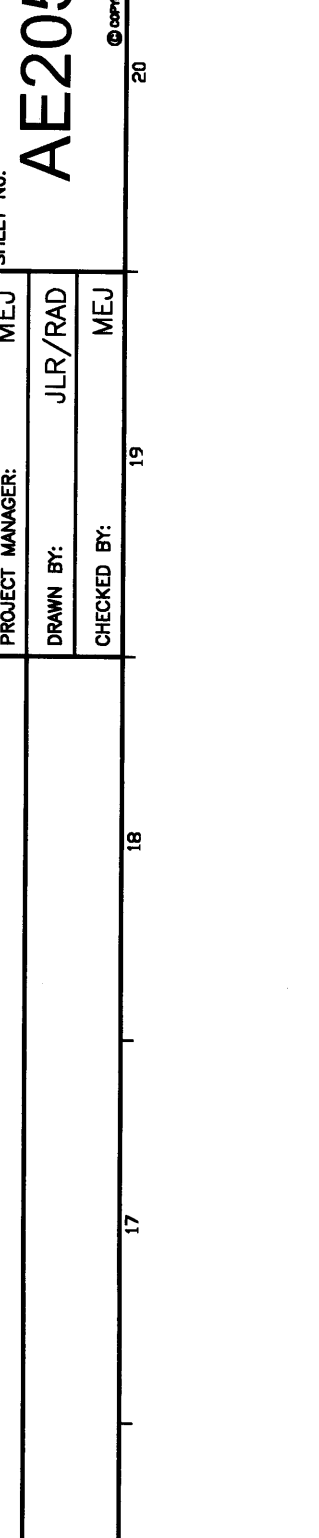
HI



DI



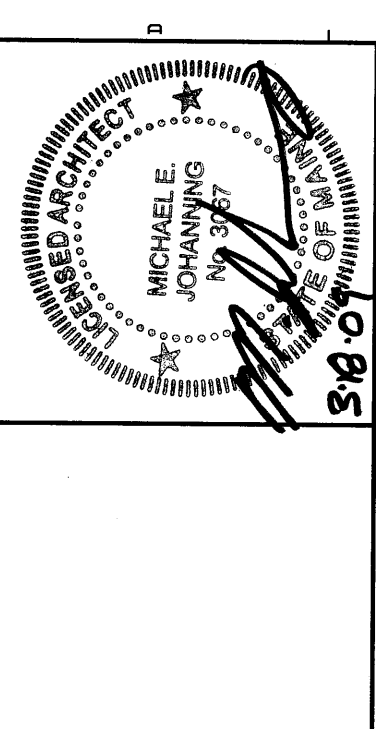
AI



GENERAL INTERIOR ELEVATION NOTES:

- REFER TO ARCHITECTURAL ABBREVIATIONS ON SHEET G1002 FOR ALL ABBREVIATIONS
- REFER TO K1/AE205 FOR TYPICAL TOILET ACCESSORY LEGEND AND MOUNTING HEIGHT INFORMATION
- G.C. SHALL PROVIDE AND INSTALL BLOCKING AND BRACKETS FOR THE PROPER INSTALLATION OF CASEWORK BOTH CONTRACTOR AND OWNER. ALL UNITS AND MISCELLANEOUS VISUAL DISPLAY SUCH SUPPORTS ARE SHOWN OR NOT. G.C. TO COORDINATE BLOCKING REQUIREMENTS OF OWNER SUPPLIED ITEMS WITH THE OWNER.
- REFER TO A601 FOR ALL DOOR TYPES, STYLE AND FINISH STYLES.
- ALL EQUIPMENT, CASEWORK, ETC TO BE CS/CI, UNO.
- REFER TO DIVISION 6 SPECIFICATION FOR DETAILS INFORMATION RELATED TO MILLWORK WOOD CABINETS.
- CABINETS SHOWN TO ILLUSTRATE INTENT. IT IS THE RESPONSIBILITY OF THE CONTRACTOR TO VERIFY ALL CABINET DOORS AND DRAWERS OPEN TO THEIR FULL EXTENT WITHOUT INTERFERENCE SUCH AS HARDWARE.
- ALL FILLER PANELS AND FINISHED END PANELS TO MATCH WOOD CABINETS IN SPECIES AND FINISH.
- *CF DENOTES GMB CONTROL JOINT LOCATIONS.
- *CS DENOTES CORNER GUARD LOCATIONS.
- AGBIBER PANELS GRAPHICALLY INDICATE VERTICALLY. REFER TO SPECIFICATIONS FOR GRAIN DIRECTION NOT SHOWN.

PERMIT APPLICATION SUBMISSION 3-18-09 CURRENT ISSUE STATUS:



WBRC ARCHITECTS - ENGINEERS
OCEAN AVENUE ELEMENTARY SCHOOL
PORTLAND, ME

INTERIOR ELEVATIONS

SHEET TITLE	331610-AE205
PROJECT NO.	331610
SCALE	AS NOTED
DATE	MEJ
PROJECT MANAGER	JULY 2010
DESIGNER	
CHECKED BY	
DATE	

AE205