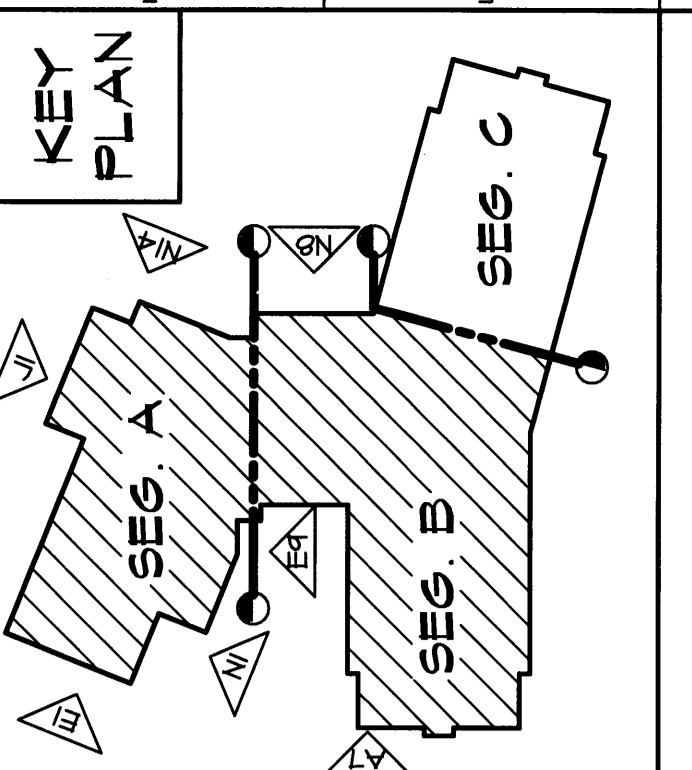
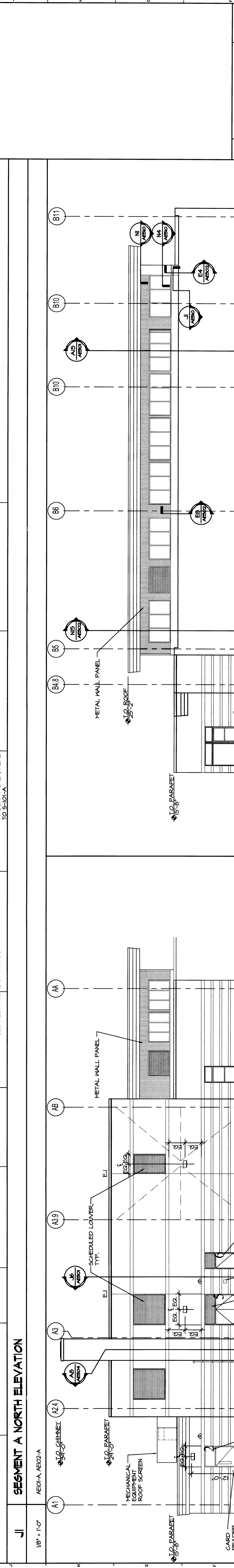


Segment	Scale	Notes
NI	1/8" = 1'-0"	AE01-A, AE02-A
N9	1/8" = 1'-0"	AE01-A, AE01-B, AE02-A, AE02-B
N14	1/8" = 1'-0"	AE01-A, AE02-A

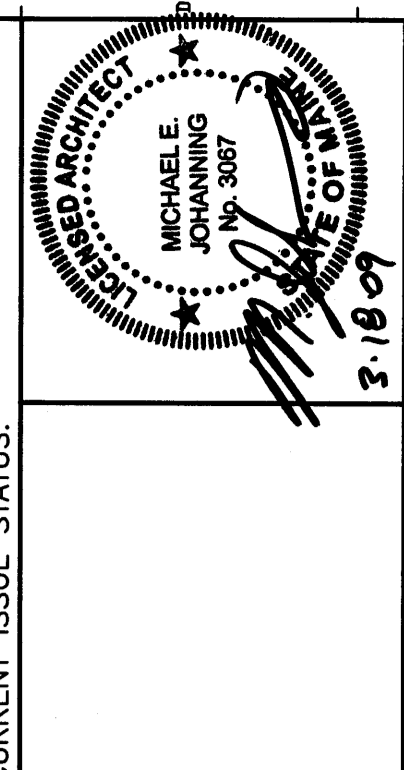


- GENERAL EXTERIOR ELEVATION NOTES:
1. REFER TO JBA0514 FOR MOCK-UP WALL PANE DETAIL.
  2. REFER TO SHEET CG101 FOR FINISH GRADE A BUILDING PERIMETER.
  3. "EJ" DENOTES EXPANSION JOINT LOCATIONS.
  4. ALL BANDING TO BE PROJECTED 1/2" TYPICAL.



Segment	Scale	Notes
EI	1/8" = 1'-0"	AE01-A, AE02-A
E4	1/8" = 1'-0"	AE01-A, AE02-A
E9	1/8" = 1'-0"	AE01-A, AE02-A

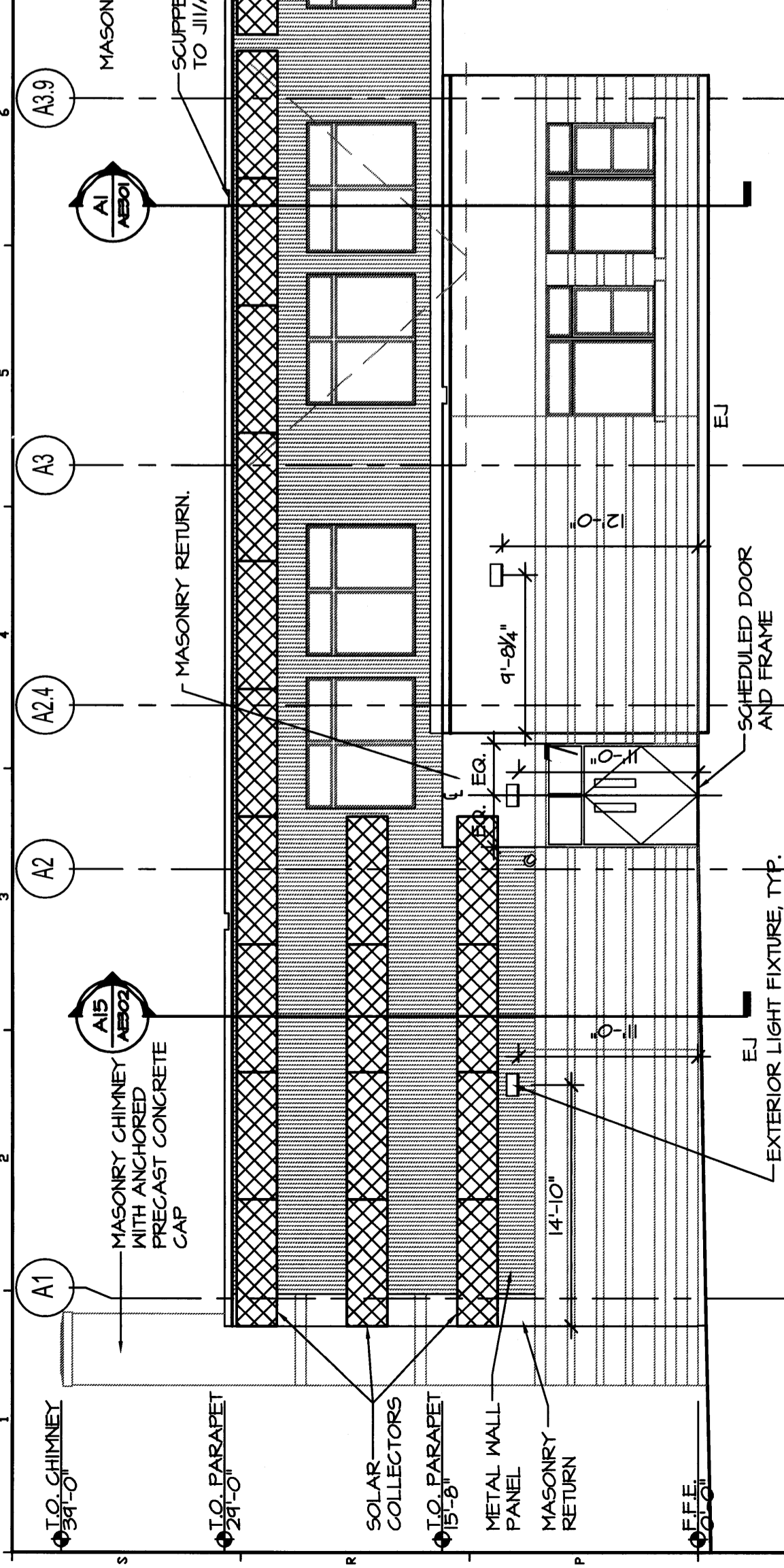
PERMIT APPLICATION  
SUBMISSION 3-18-09  
CURRENT ISSUE STATUS:



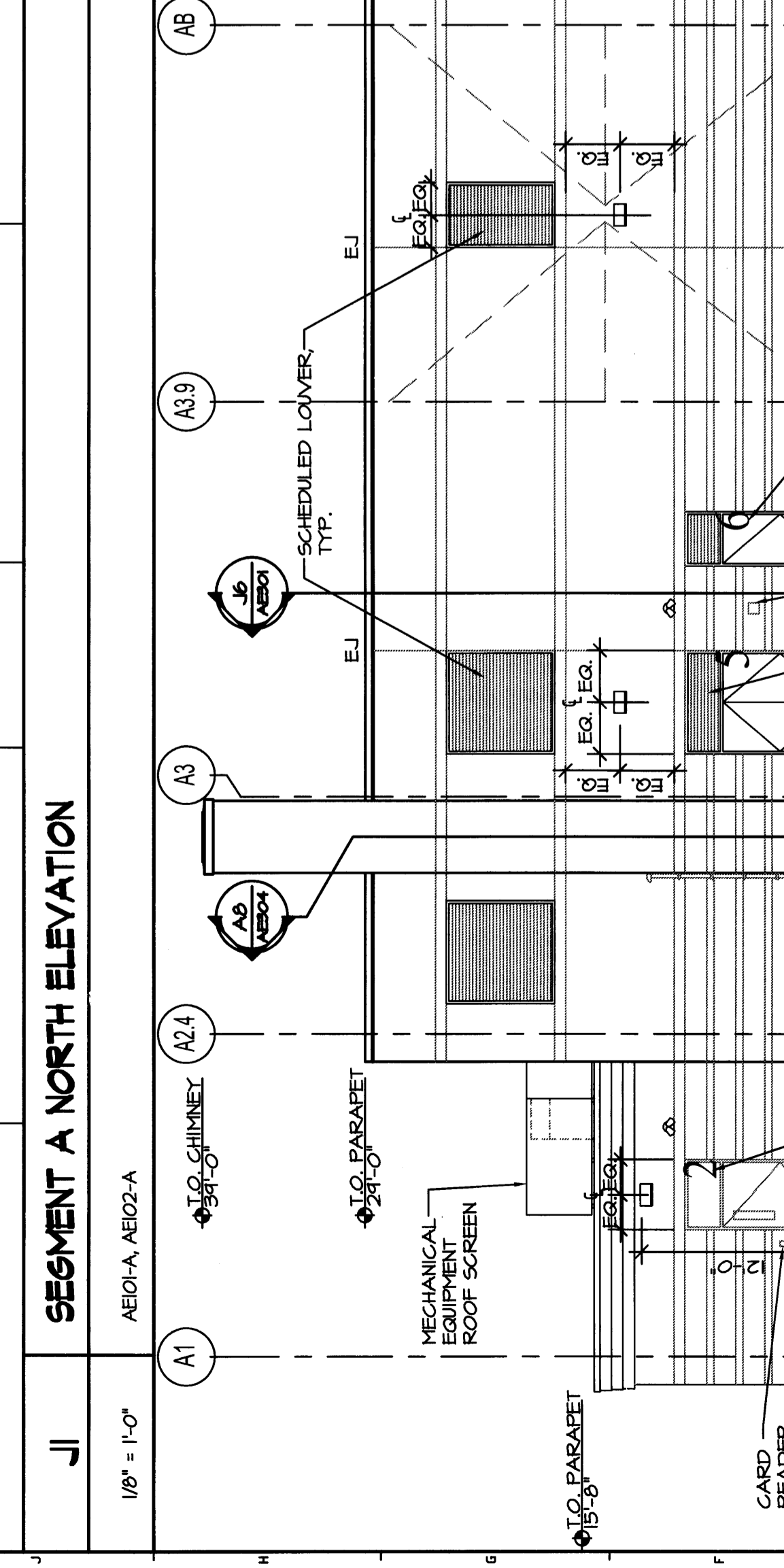
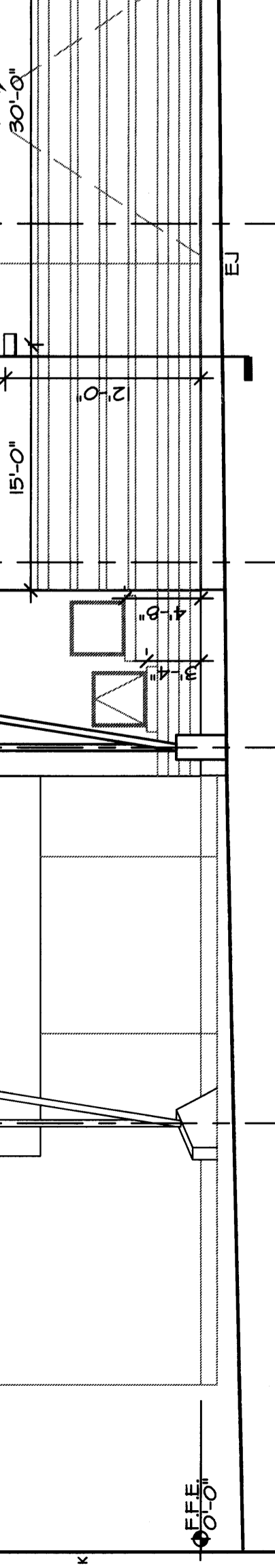
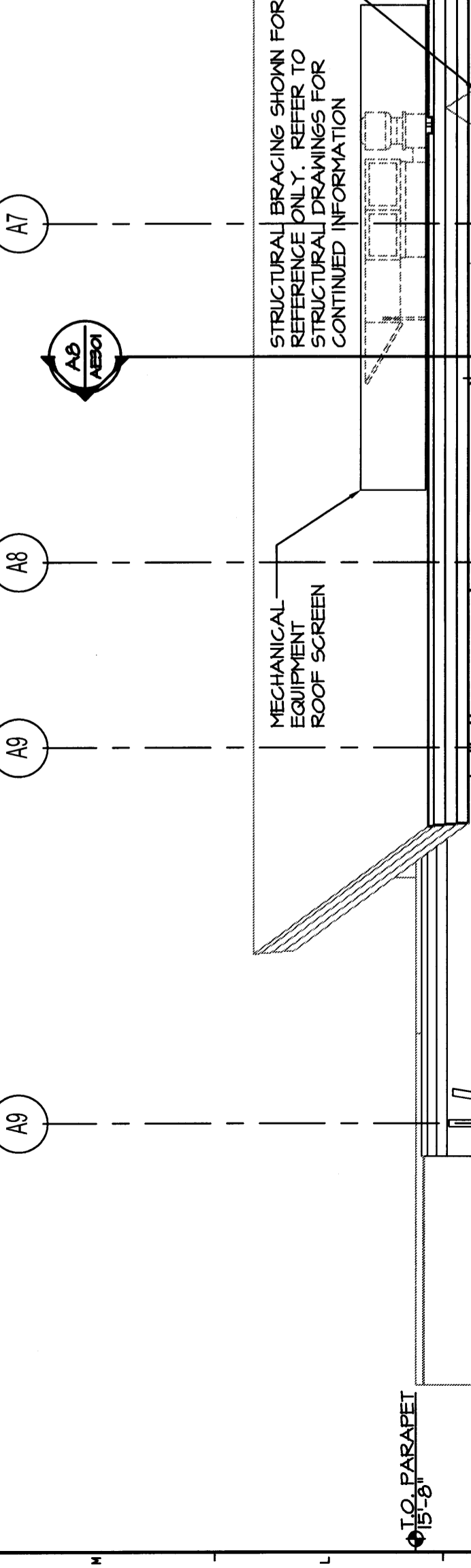
**WBRC**  
ARCHITECTS • ENGINEERS  
100 WINDYBROOK  
PORTLAND, MAINE 04106-2825  
3-18-09

OCEAN AVENUE ELEMENTARY  
SCHOOL  
PORTLAND, ME  
PROJECT:  
EXTERIOR ELEVATIONS

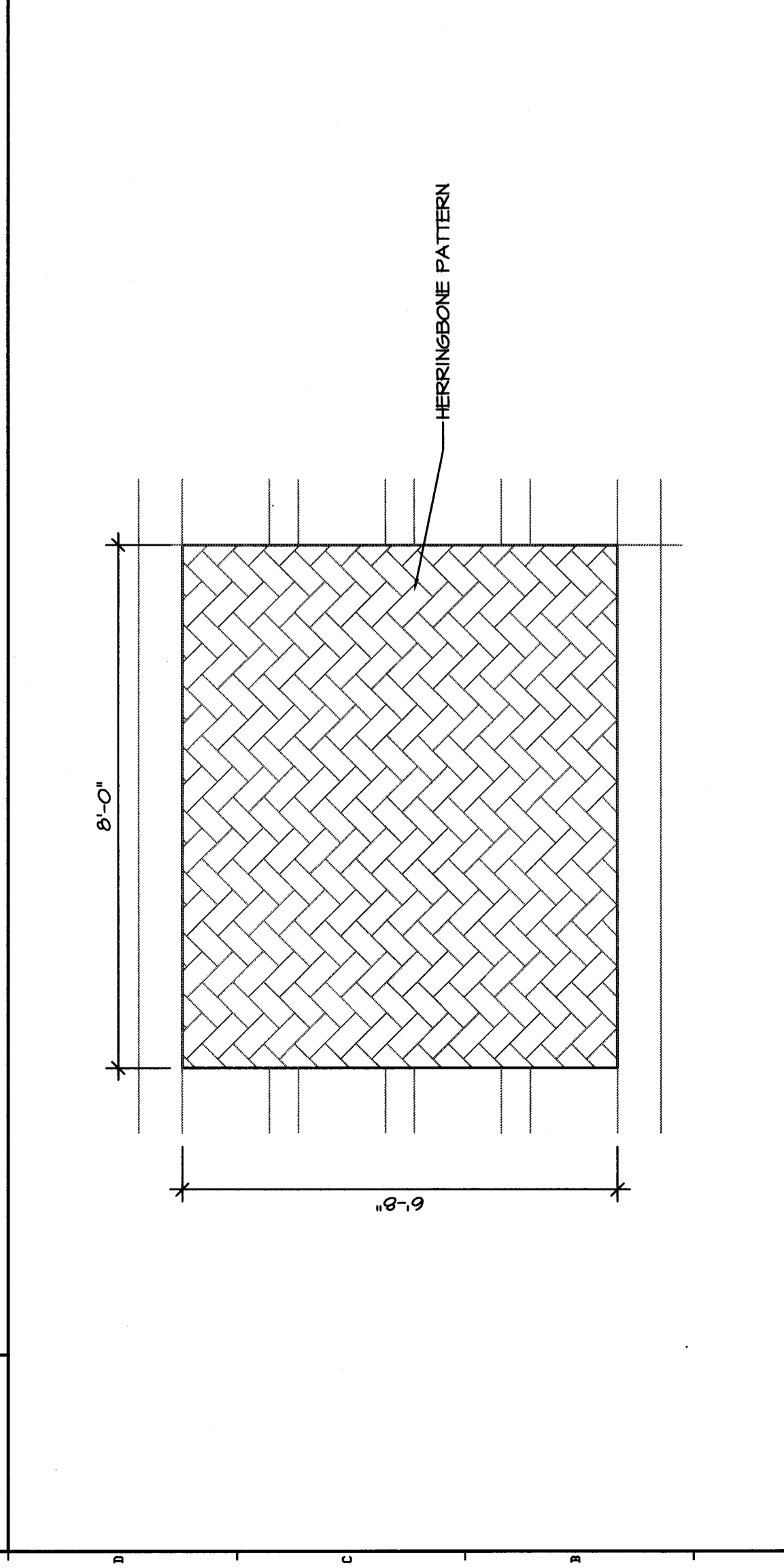
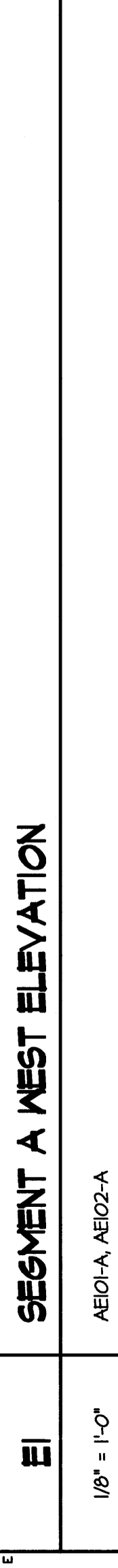
Scale	AS NOTED	DATE
1/8" = 1'-0"		03.03.09



Segment	Scale	Notes
AI	1/2" = 1'-0"	AE01-B, AE02-B



Segment	Scale	Notes
AI	1/2" = 1'-0"	AE01-B, AE02-B



Segment	Scale	Notes
AI	1/2" = 1'-0"	AE01-B, AE02-B