

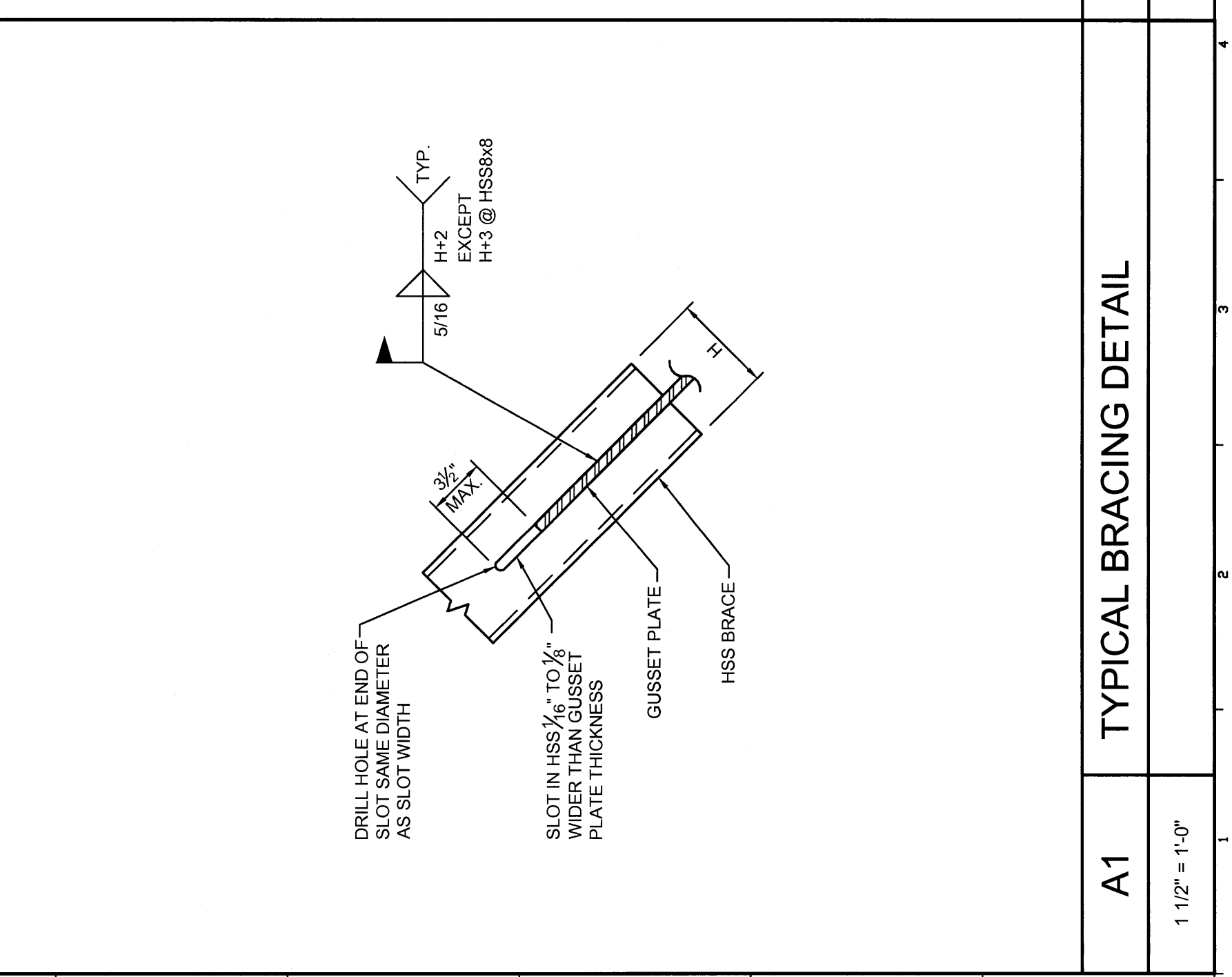
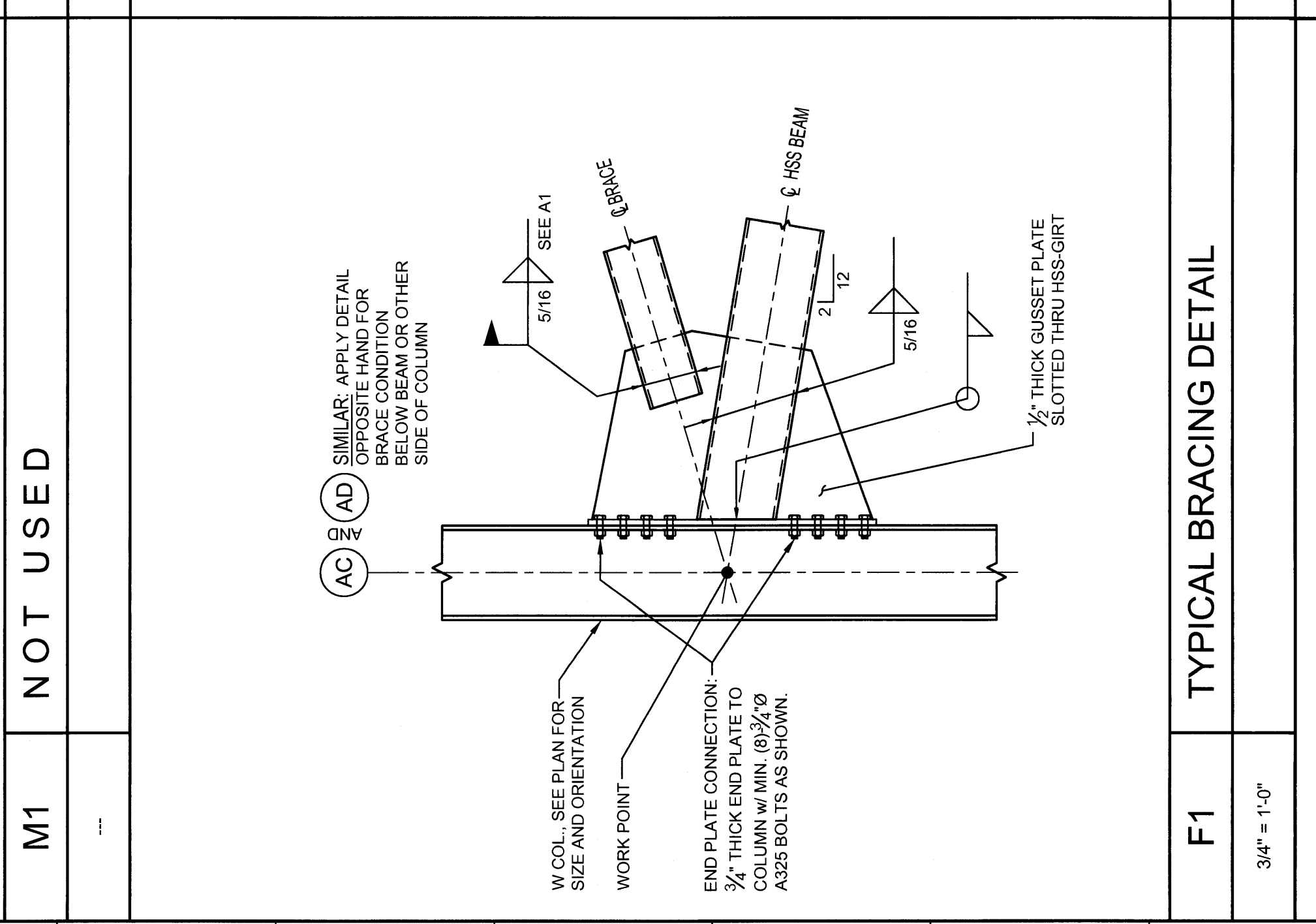
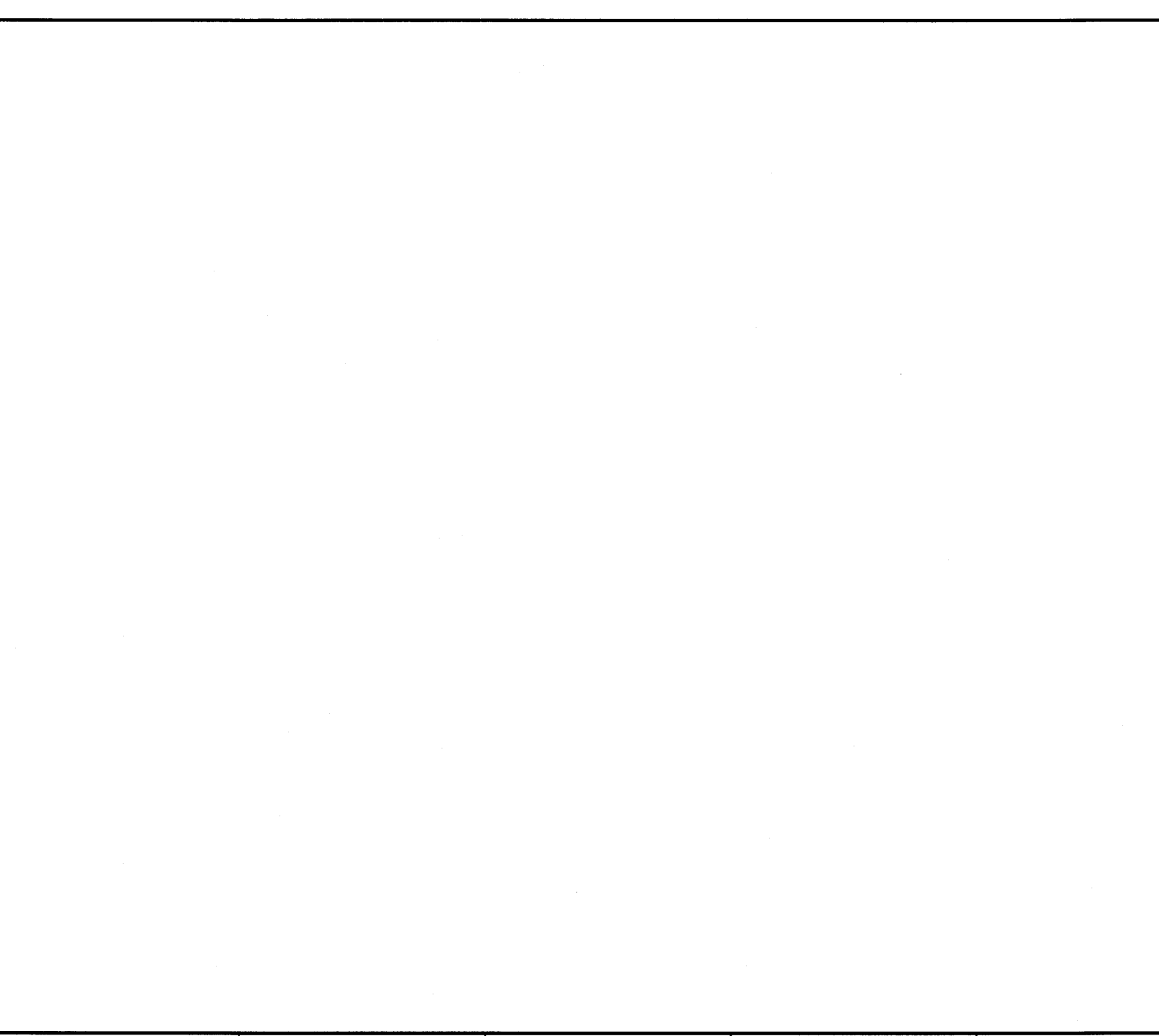
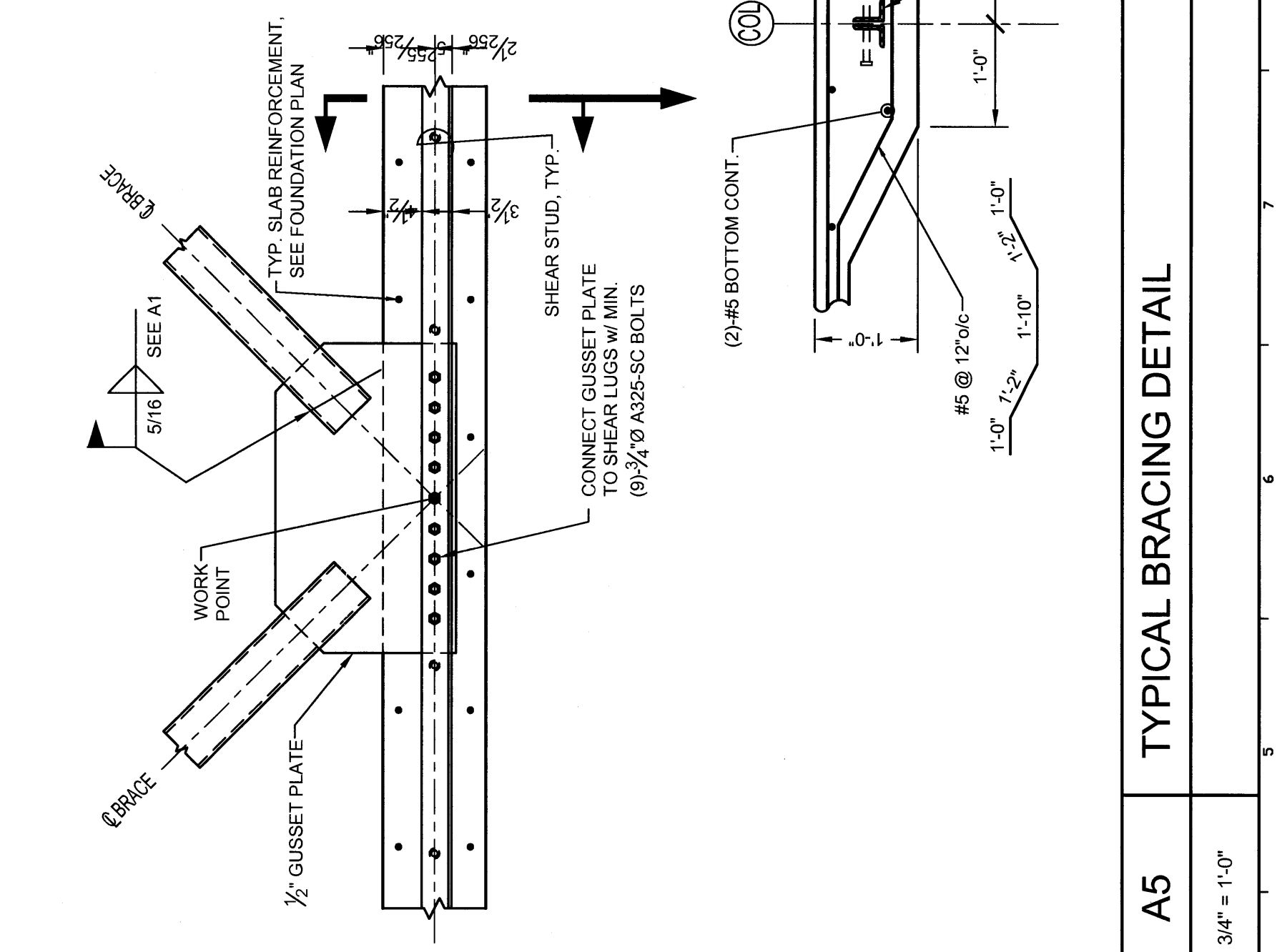
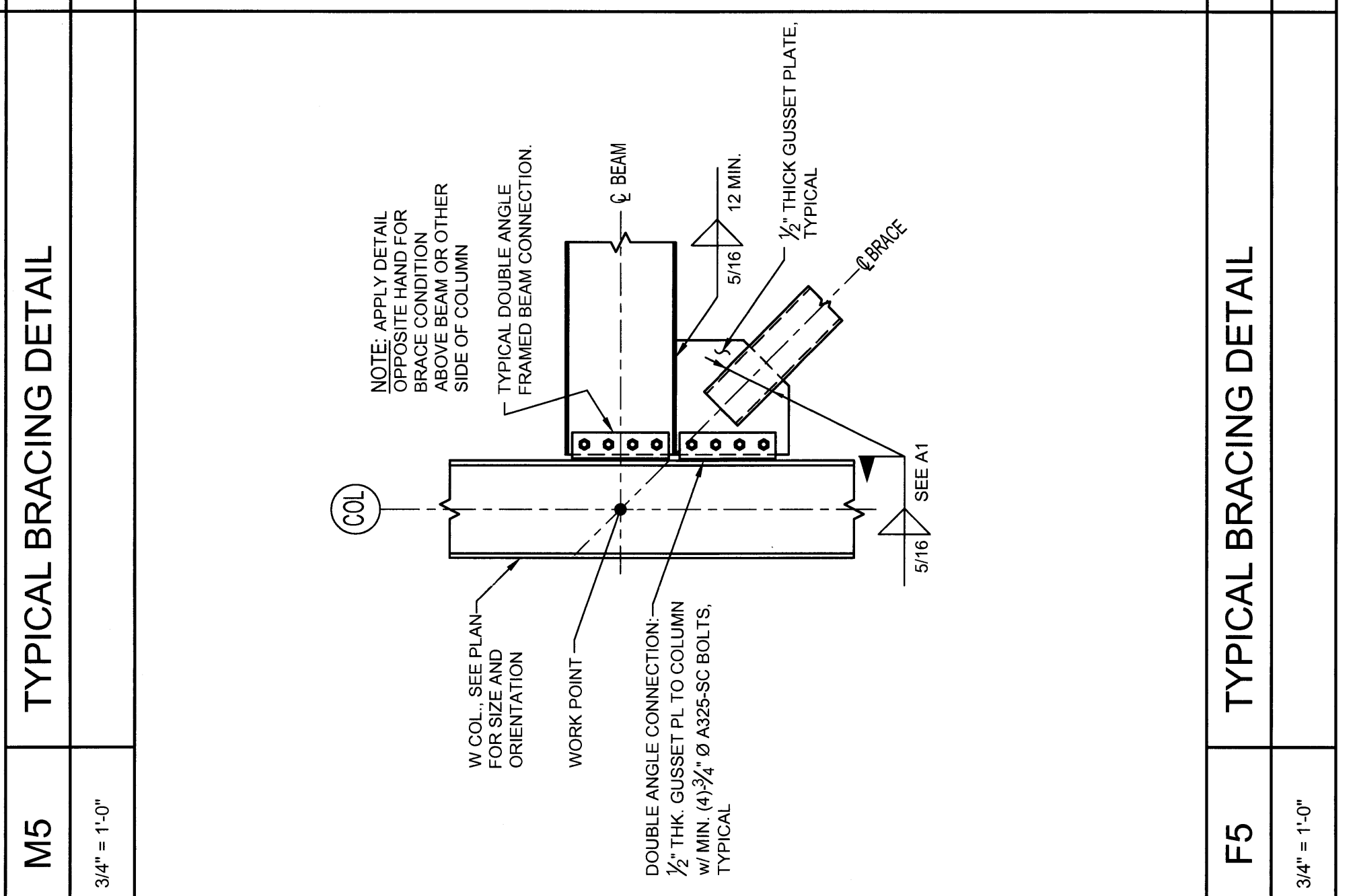
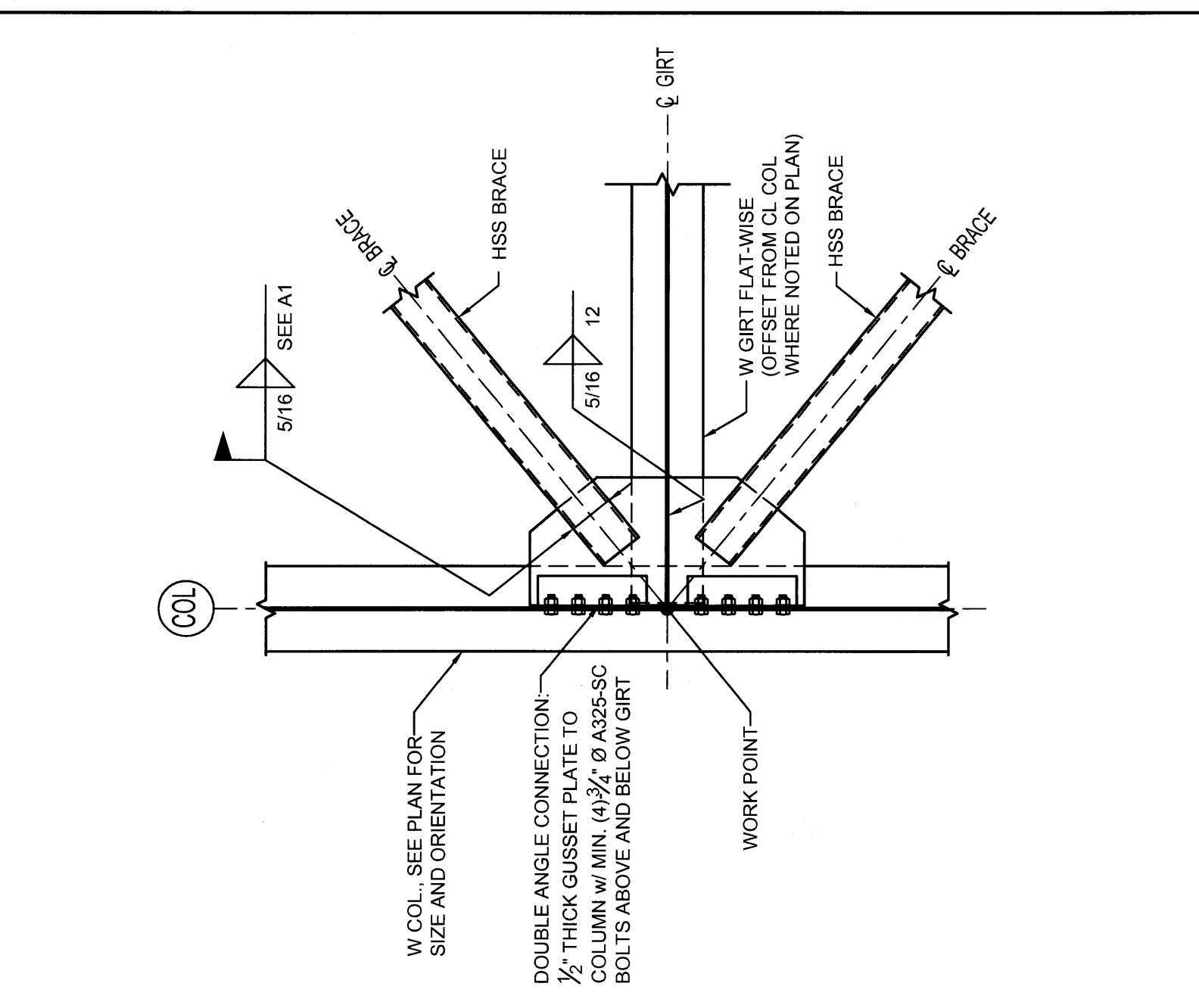
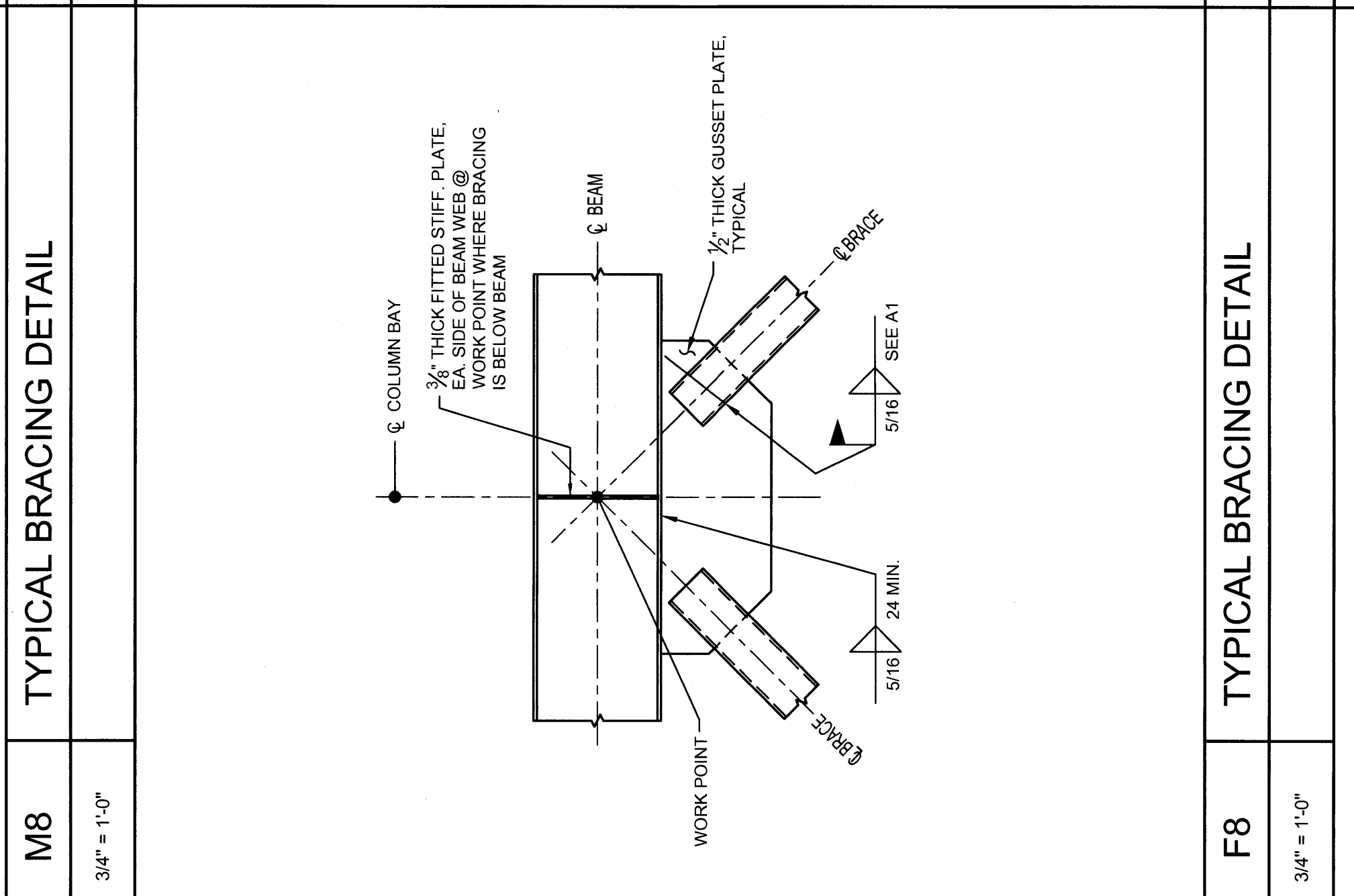
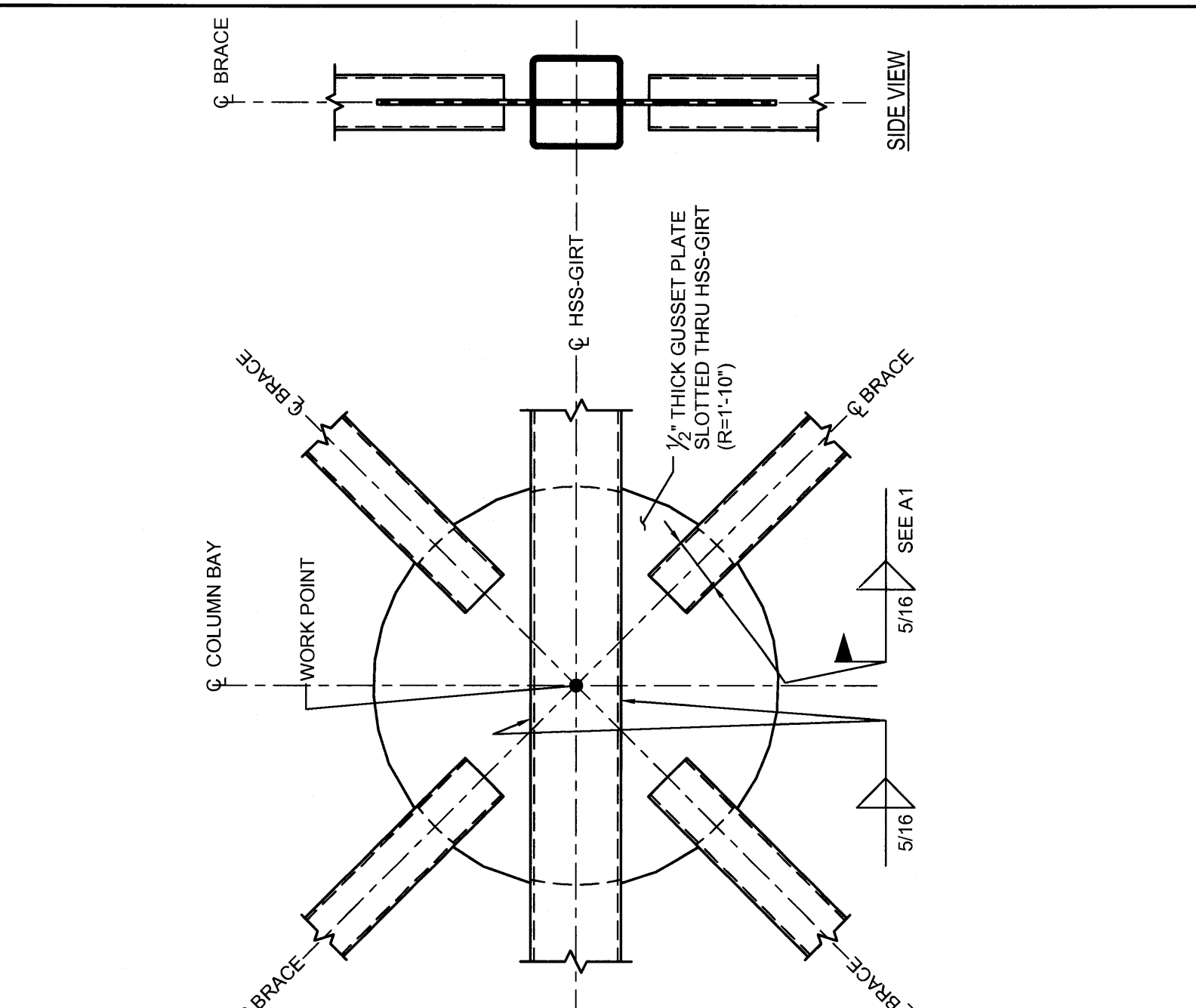
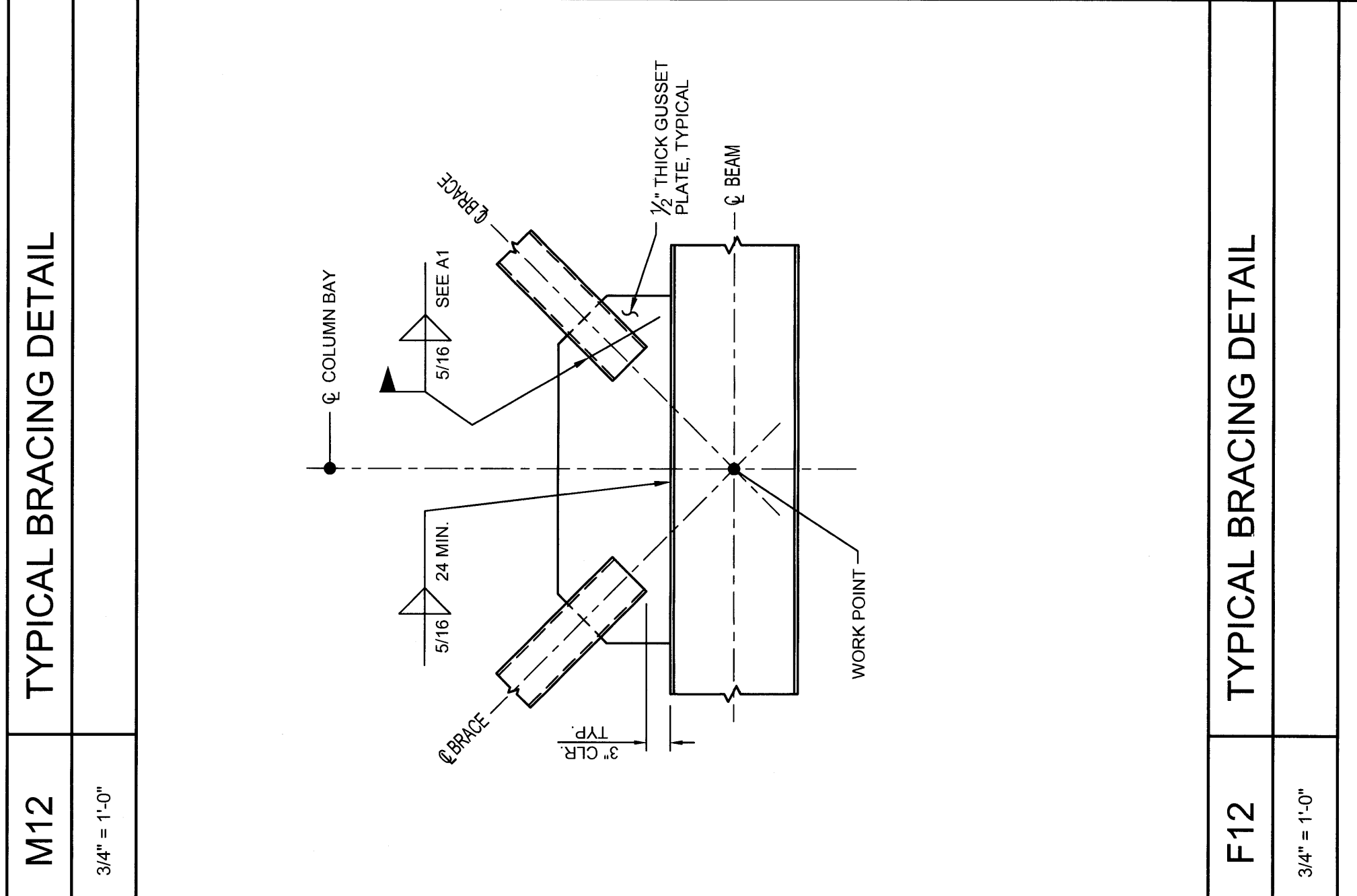
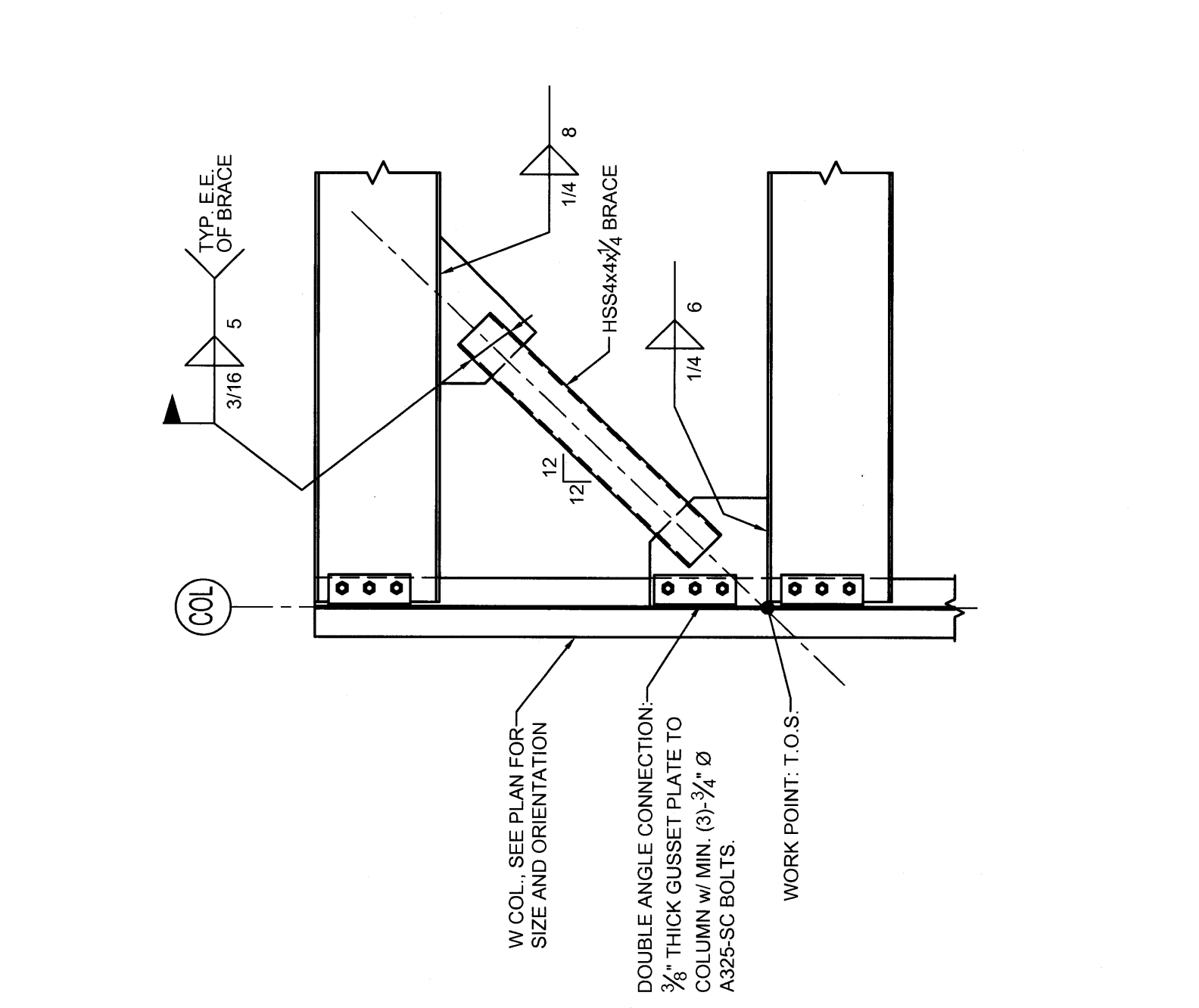
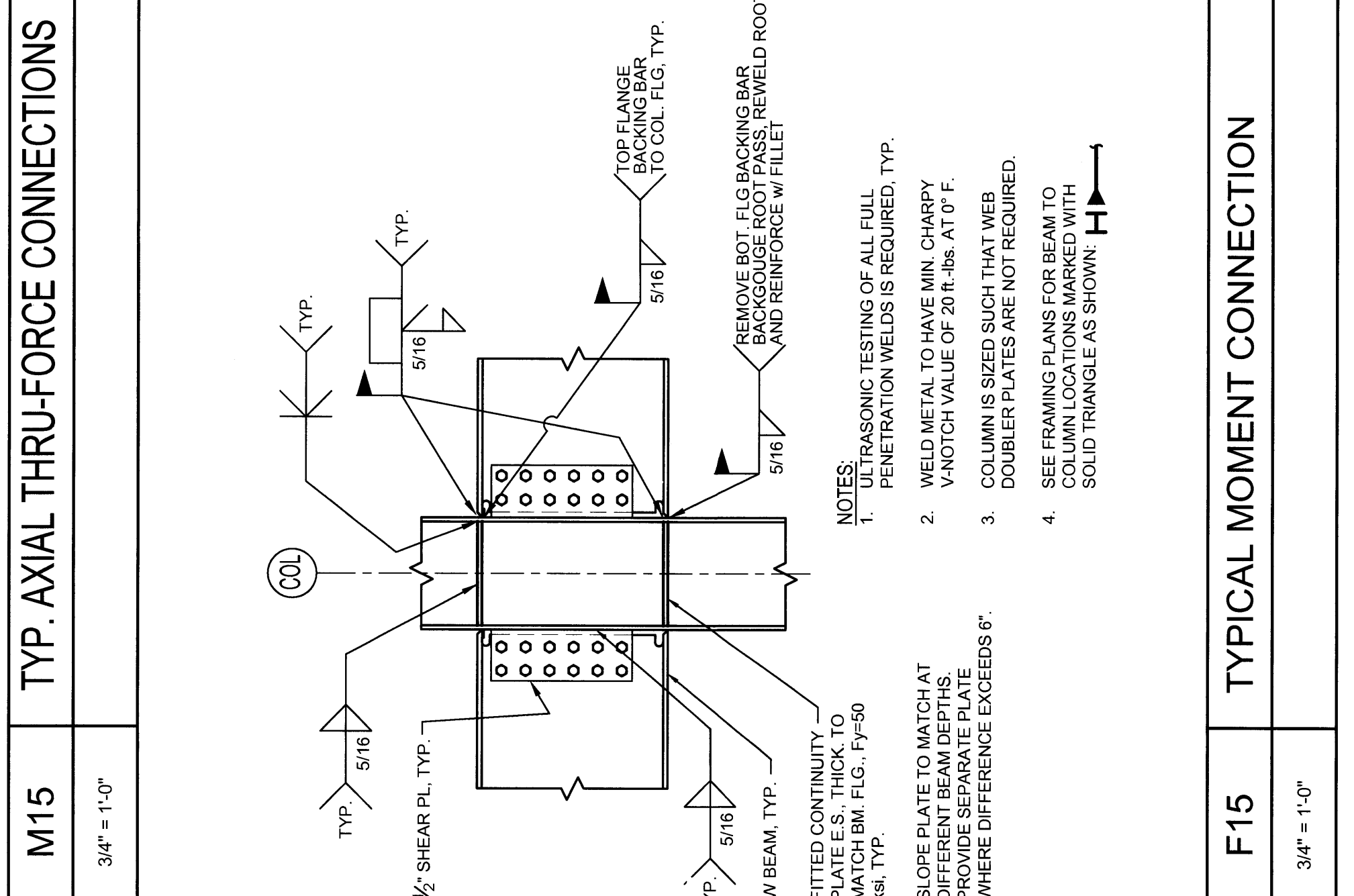
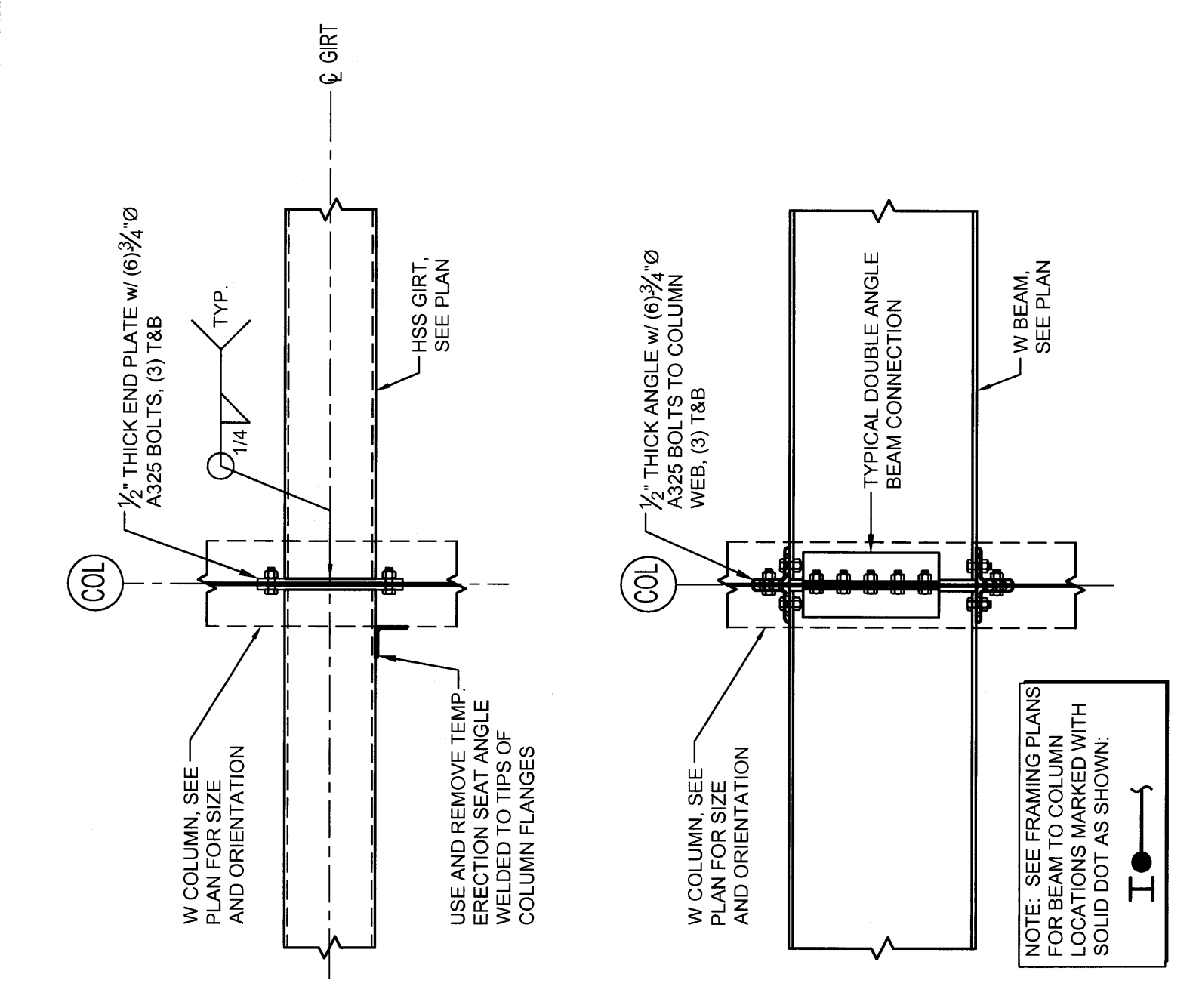
M1	NOT USED		
M5	TYPICAL BRACING DETAIL	M8	TYPICAL BRACING DETAIL
M12	TYPICAL BRACING DETAIL	M15	TYP. AXIAL THRU-FORCE CONNECTIONS

F1	TYPICAL BRACING DETAIL	F5	TYPICAL BRACING DETAIL	F8	TYPICAL BRACING DETAIL	F12	TYPICAL BRACING DETAIL	F15	TYPICAL MOMENT CONNECTION
----	------------------------	----	------------------------	----	------------------------	-----	------------------------	-----	---------------------------

A1	TYPICAL BRACING DETAIL	A5	TYPICAL BRACING DETAIL	A12	TYPICAL BRACING DETAIL	A15	TYPICAL BRACING DETAIL
----	------------------------	----	------------------------	-----	------------------------	-----	------------------------

ORDINARY CONCENTRICALLY BRACED FRAMES NOTES:

- THE FOLLOWING NOTES APPLY TO ALL BRACING ELEVATIONS ON DRAWINGS S-201 & S-202.
- NOTIFY THE STRUCTURAL ENGINEER AT LEAST 48 HOURS BEFORE CASTING SLABS ON GRADE FOR BRACING TO BE INSTALLED. BRACING SHALL BE WELDED TO THE SLAB AND FIELD WELDED EMBEDDED SHEAR LUGS TO BE CONCEALED BY THE SLAB.
- AT LOWER END OF ALL BRACES, COMPLETE FIELD WELDING PRIOR TO CASTING FLOOR SLABS. NOTIFY THE STRUCTURAL ENGINEER AT LEAST 48 HOURS IN ADVANCE OF CASTING FLOOR SLABS. INSPECTION OF WELDS THAT MAY BE CONCEALED BY FLOOR SLABS.
- AT UPPER END OF ALL BRACES, PROVIDE AN ERECTION PIN AN OVERSIZED OR SHORT SLOTTED ERECTION PIN TO COLUMN. THE ERECTION PIN SHALL BE WELDED TO COLUMN AND SHALL BE IN PLACE. FLOOR SLAB DEAD LOAD IS IN PLACE.
- ALL DETAILS ARE TO BE CONSIDERED TYPICAL FOR SIMILAR CONNECTIONS, UNLESS NOTED OTHERWISE.
- APPLY DETAILS OPPOSITE HAND FOR SIMILAR CONNECTIONS. UNLESS NOTED OTHERWISE, EACH SIDE OF THE COLUMN, UNLESS NOTED OTHERWISE.
- NOTIFY ENGINEER FOR ANY BRACING CONNECTION NOT SHOWN ON THE TYPICAL DETAILS.



PERMIT APPLICATION SUBMISSION 3-18-09

PROJECT: OCEAN AVENUE ELEMENTARY SCHOOL, PORTLAND, ME

DATE: 03/18/09

PROJECT NO: 331610

SCALE: AS NOTED

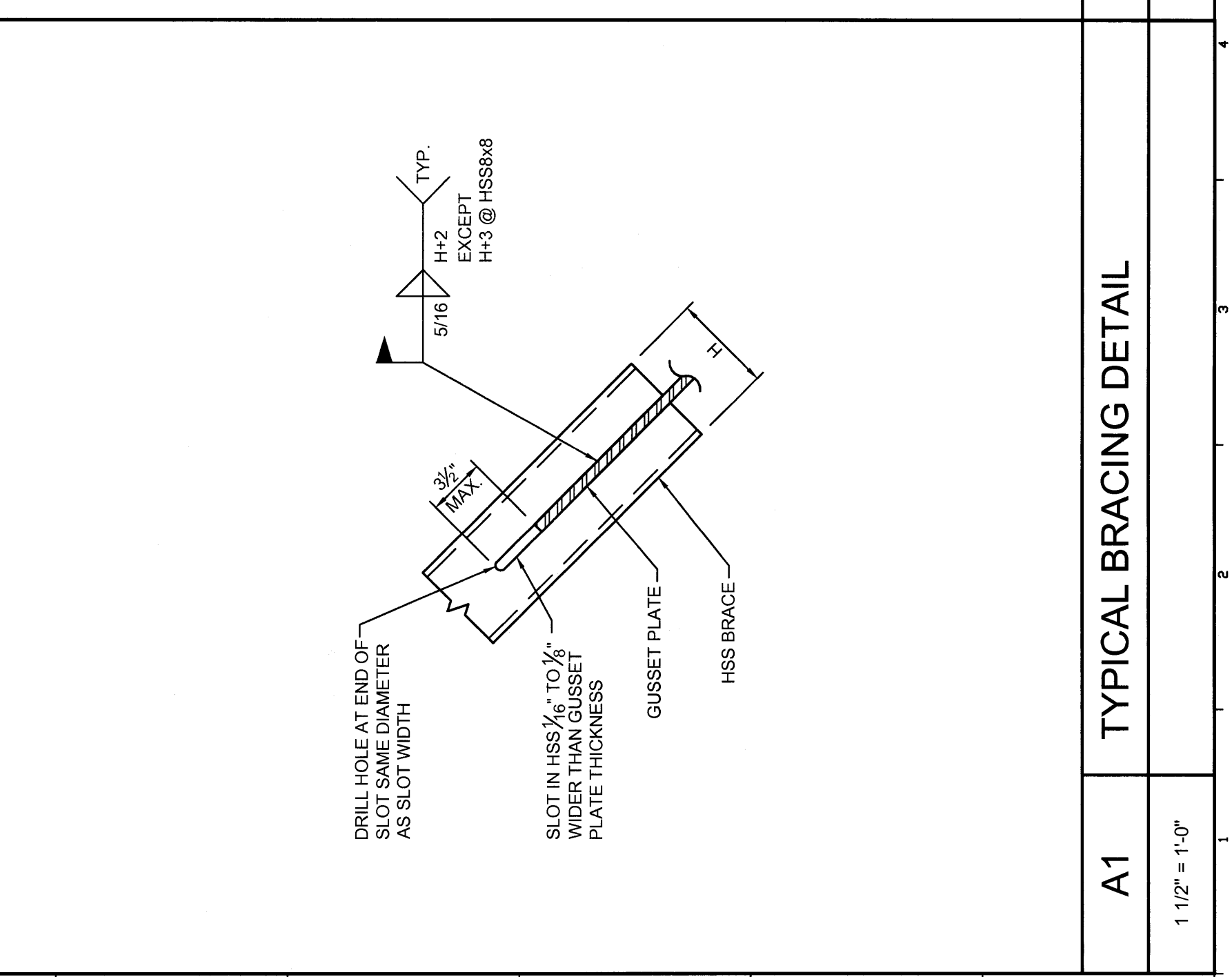
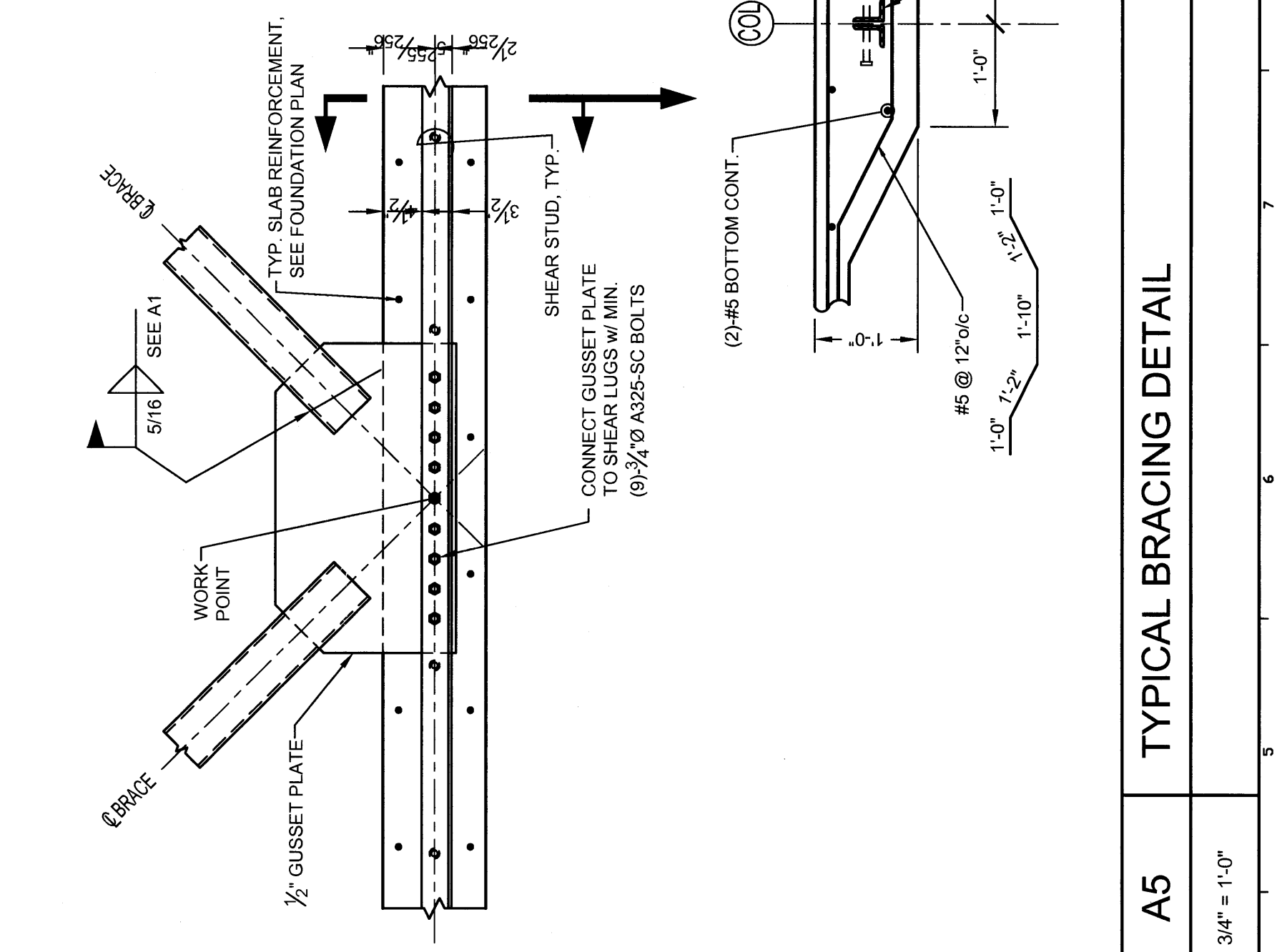
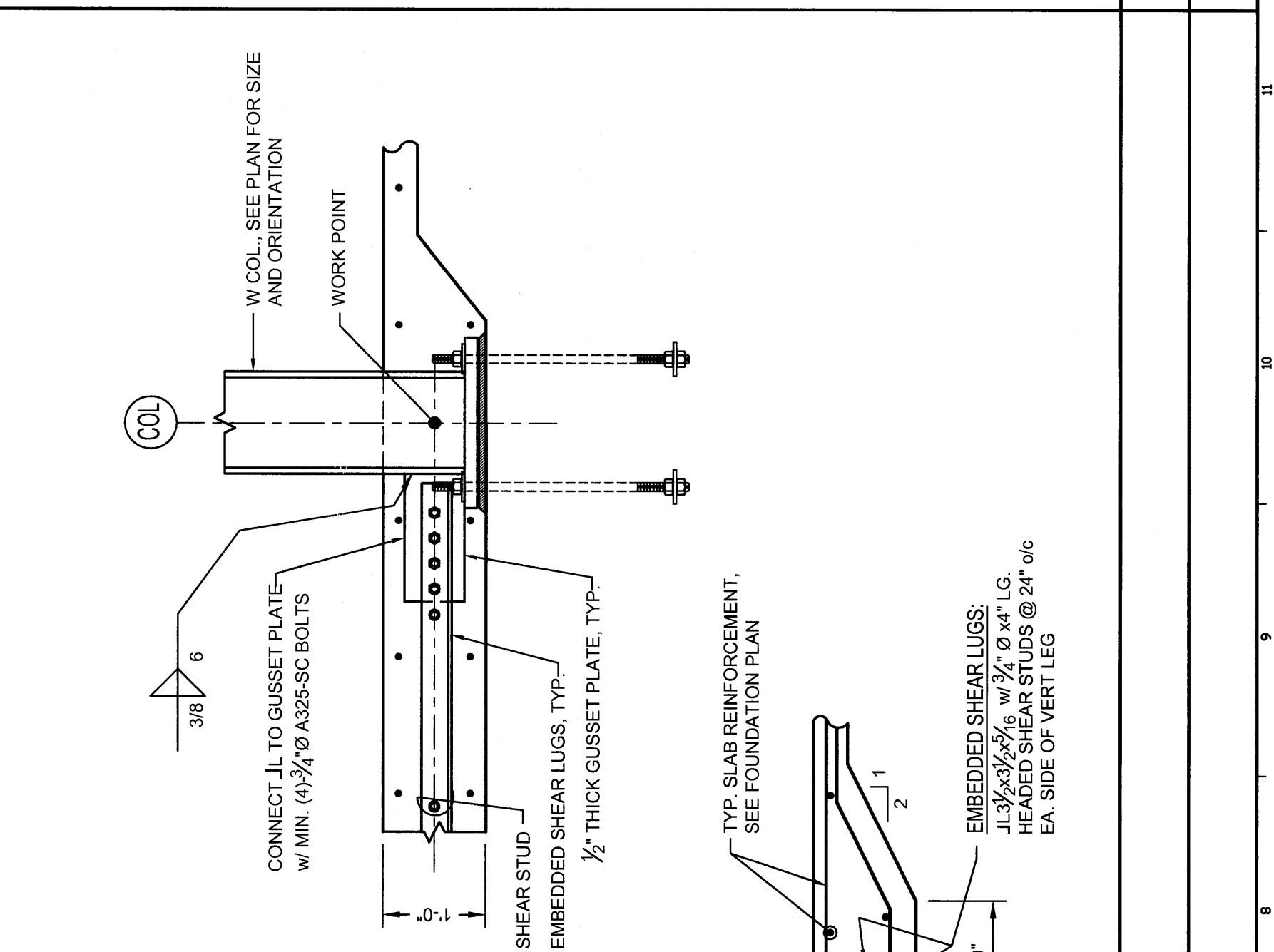
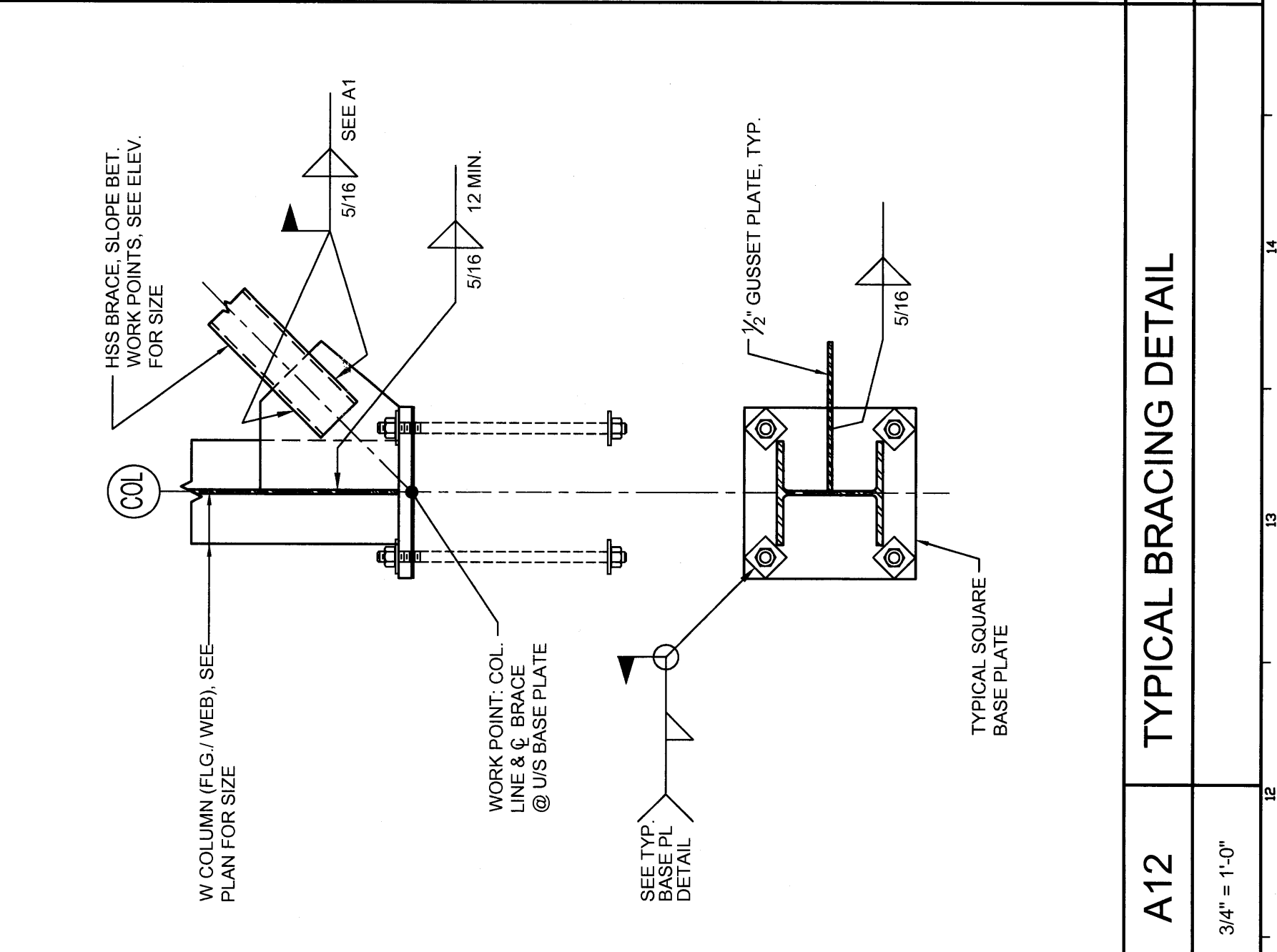
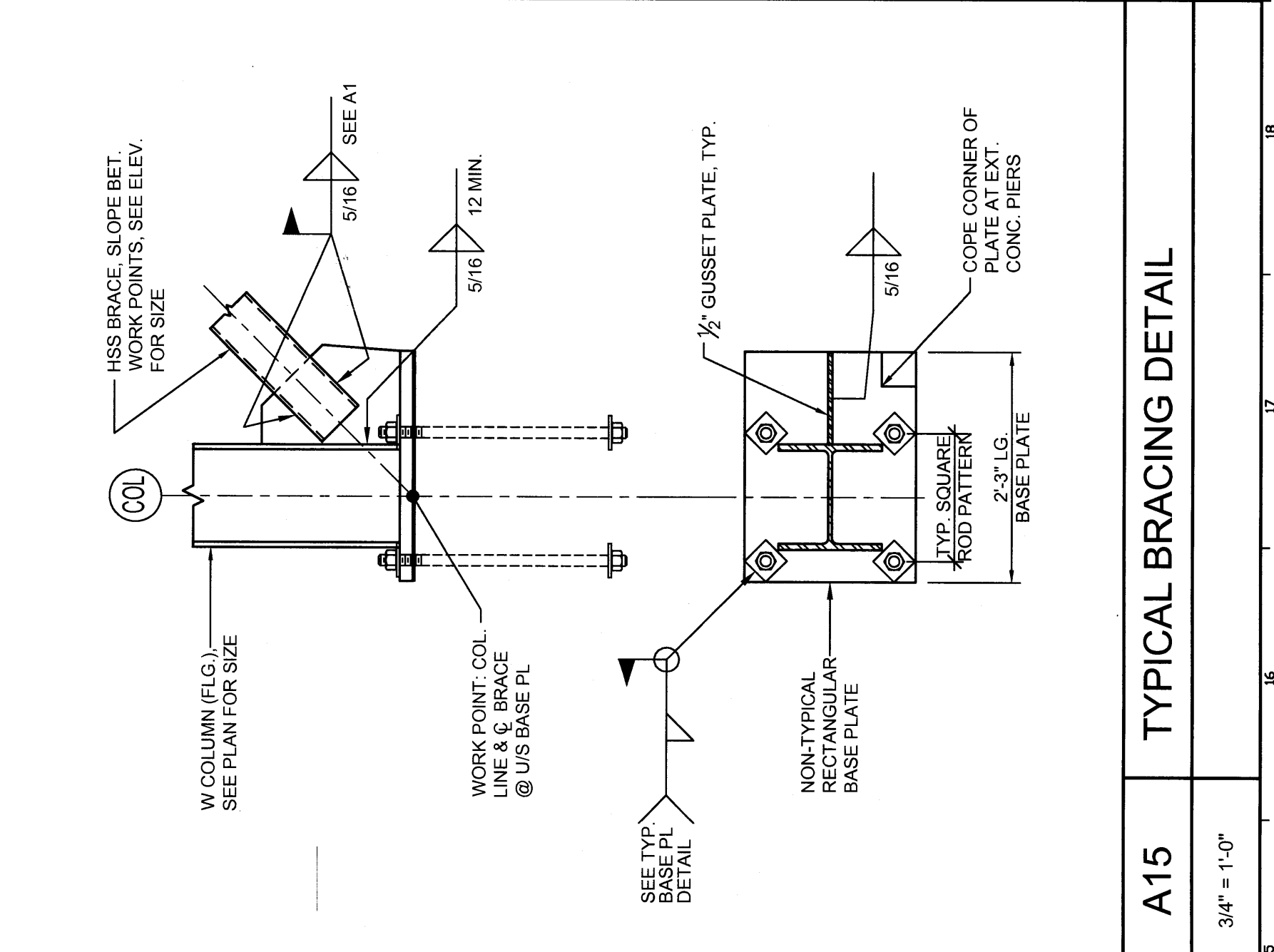
PROJECT MANAGER: M.E.J.

DRAWN BY: BAG

CHECKED BY: J.P.P.

331610-S-200

SHEET NO: S-200



WBRC ARCHITECTS & ENGINEERS

1000 WASHINGTON ST., SUITE 200
PORTLAND, ME 04101

OCEAN AVENUE ELEMENTARY SCHOOL
PORTLAND, ME

BRACING NOTES AND TYPICAL DETAILS