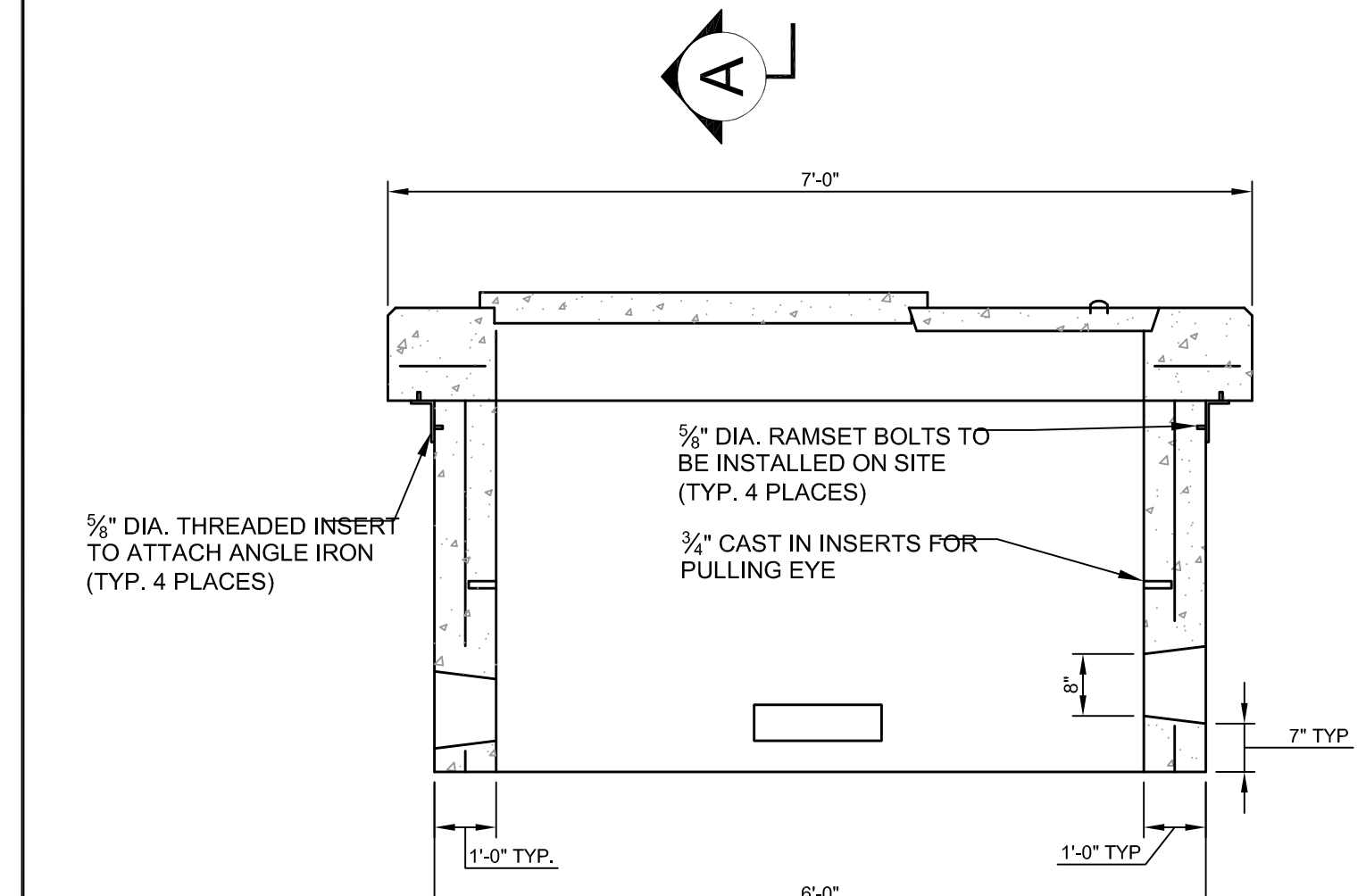
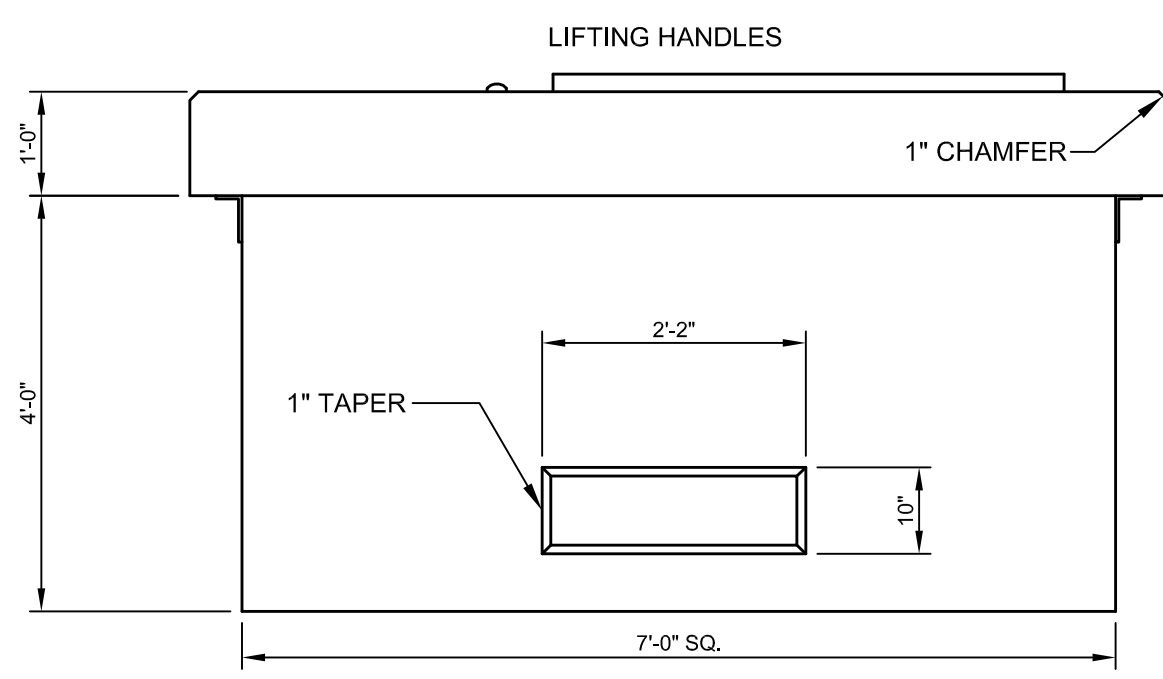


TOP VIEW



SECTION A-A



FRONT VIEW

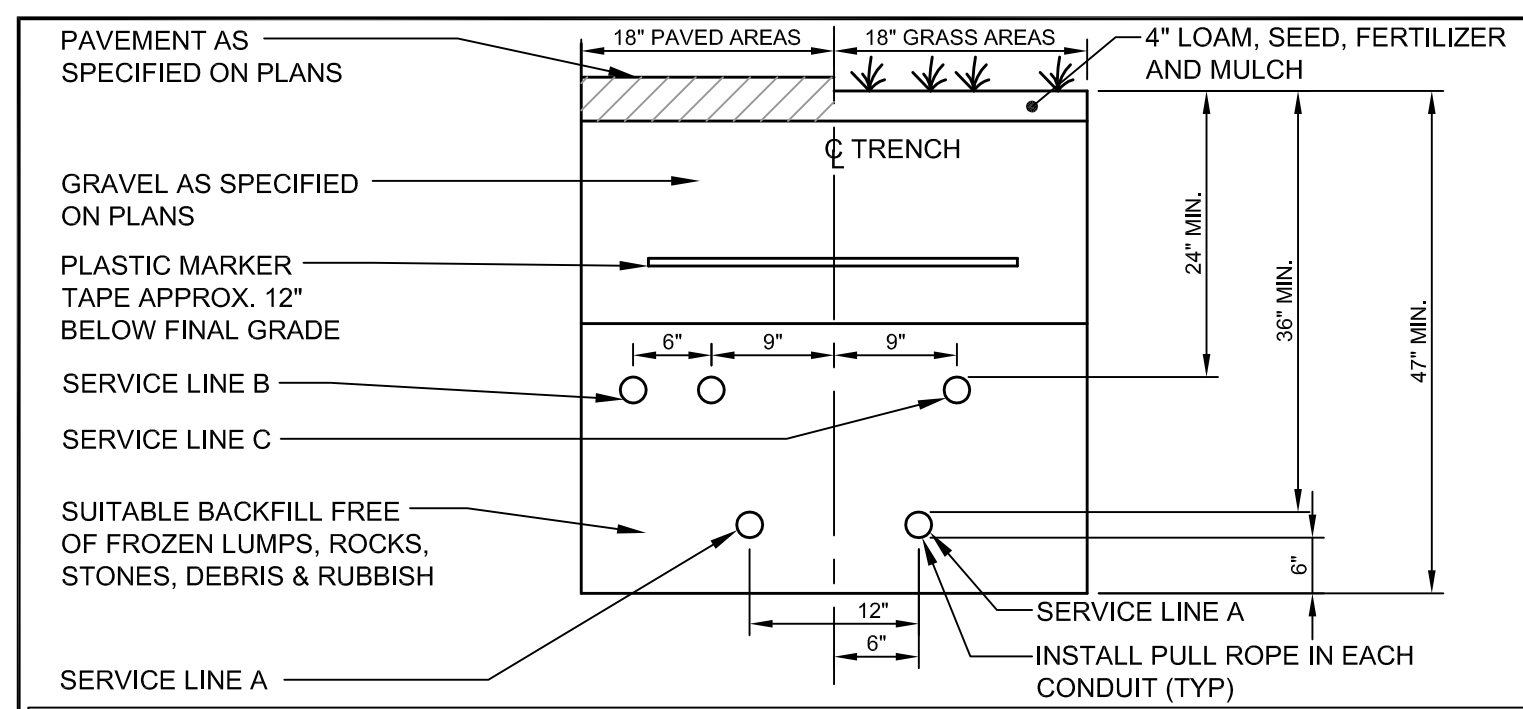
DESIGN NOTES:

- CONCRETE 4,000 PSI AT 28 DAYS.
- REINFORCING #4 BARS AT 6" O.C. EACH WAY.
- DUCT OPENINGS SHOWN ARE TYPICAL AND CAN BE MODIFIED PER REQUEST.
- CENTRAL MAINE POWER COMPANY SPECIFICATION.
- TEMPORARY COVER HAS (2) 3/8" THREADED LIFTING INSERTS CAST IN.

NOTE:

CONFIRM TRANSFORMER PAD SIZES WITH OWNER. DIVISION 2 CONTRACTOR IS RESPONSIBLE FOR FURNISHING AND INSTALLING THE TRANSFORMER PAD.

A 7'-0" TRANSFORMER PAD
N.T.S.

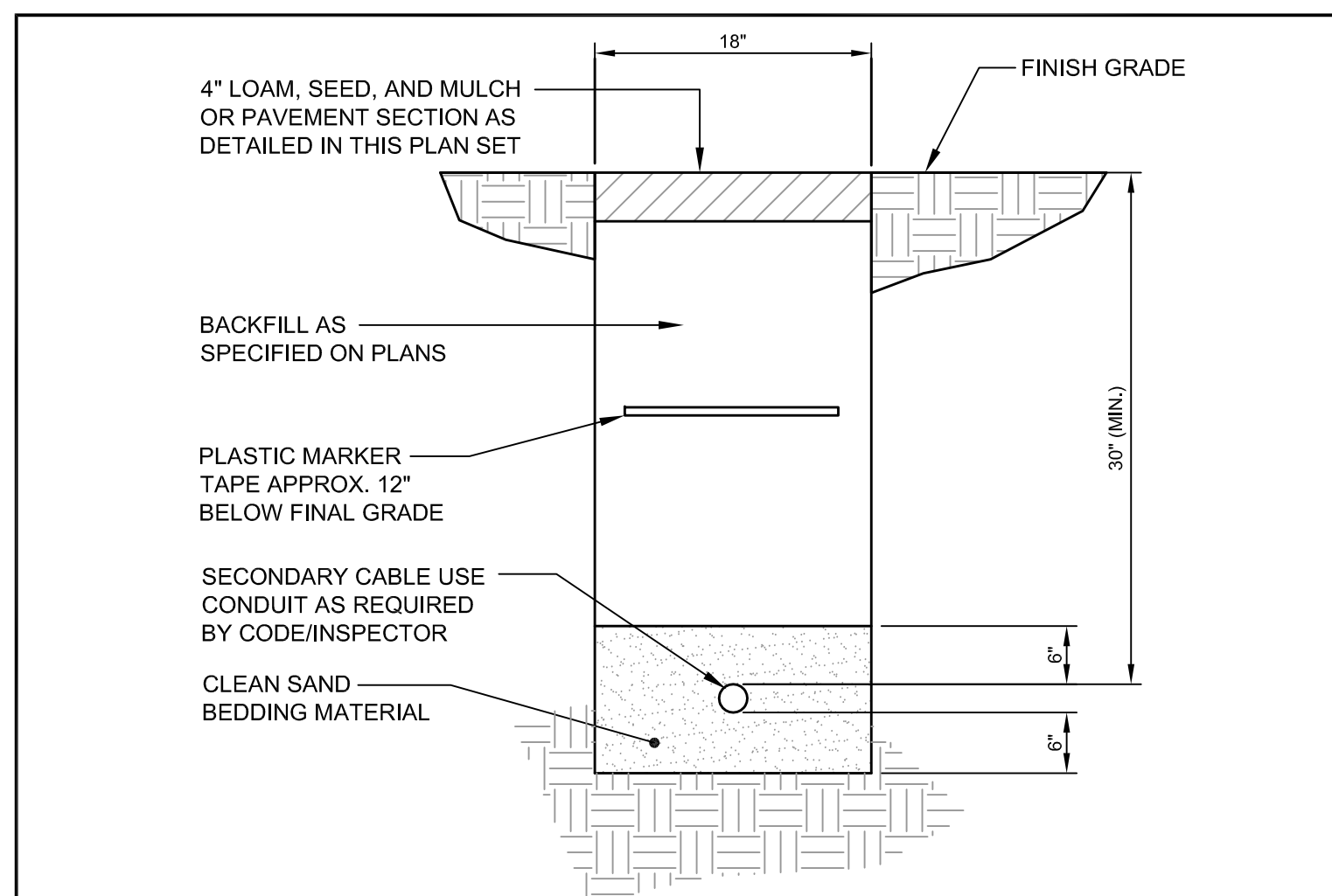


SERVICE	CONDUIT SIZE	GRASS AREAS	PAVED AREAS	UTILITY	REMARKS
A	5"	SCHEDULE 40 PVC ELECTRICAL GRADE	RIGID GALVANIZED STEEL, ASTM A120	POWER	SEE NOTE 1
B	4"	SCHEDULE 40 PVC	RIGID GALVANIZED STEEL, ASTM A120	TELEPHONE	SEE NOTE 1
C	2"	SCHEDULE 40 PVC	RIGID GALVANIZED STEEL, ASTM A120	COMMUNICATION	

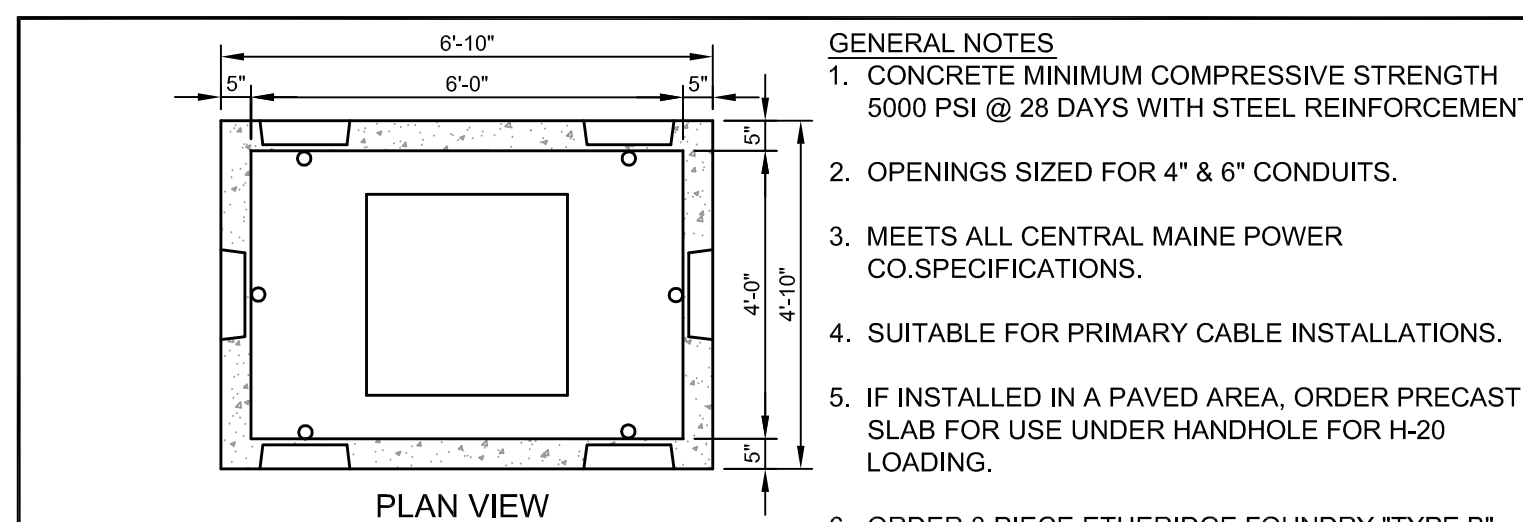
NOTES:

- ONE CONDUIT CAPPED FOR SPARE. PROVIDE GALVANIZED STEEL LONG SWEEP AT RISER POLE AND EXTEND GALVANIZED CONDUIT TO 10' ABOVE GRADE AT POLE WITH STAND-OFF BRACKETS.
- SEE SITE ELECTRICAL PLAN (SHEET C-7A) FOR LOCATION AND NUMBER OF CONDUITS.

B UTILITY TRENCH - PRIMARY ELECTRIC, TELEPHONE & COMMUNICATIONS
N.T.S.

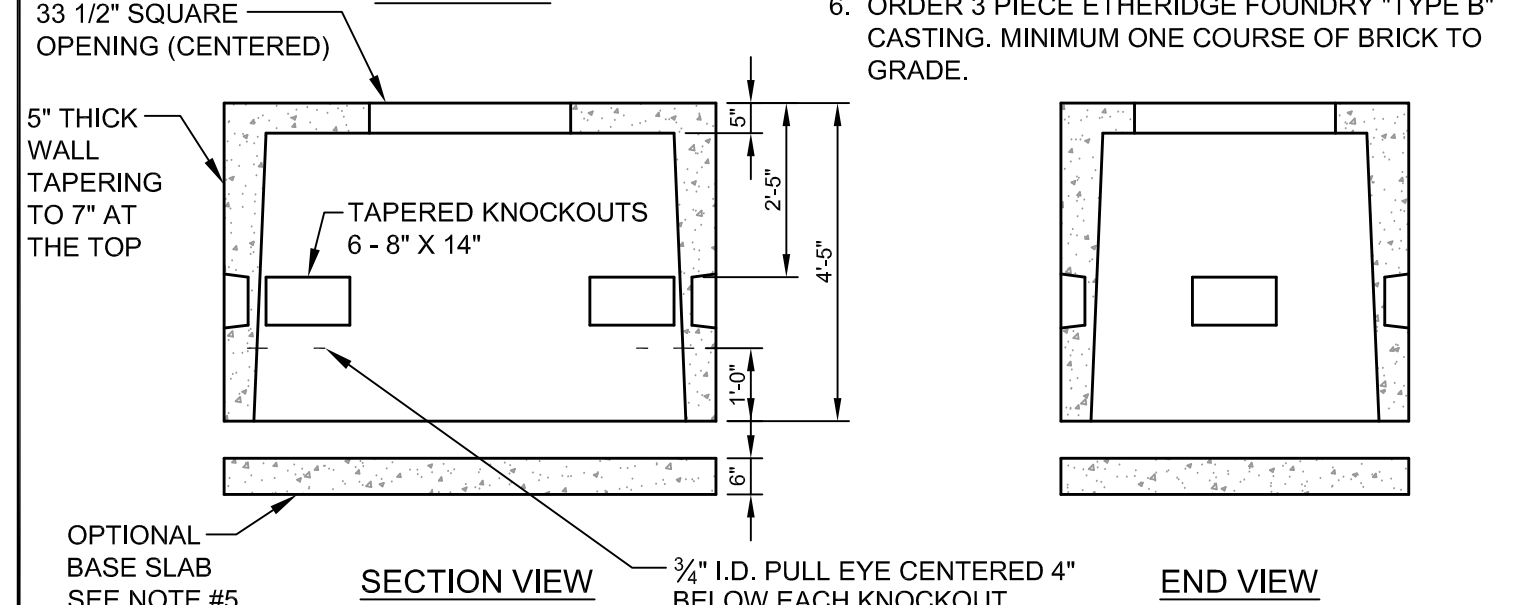


C SECONDARY ELECTRICAL TRENCH DETAIL
N.T.S.

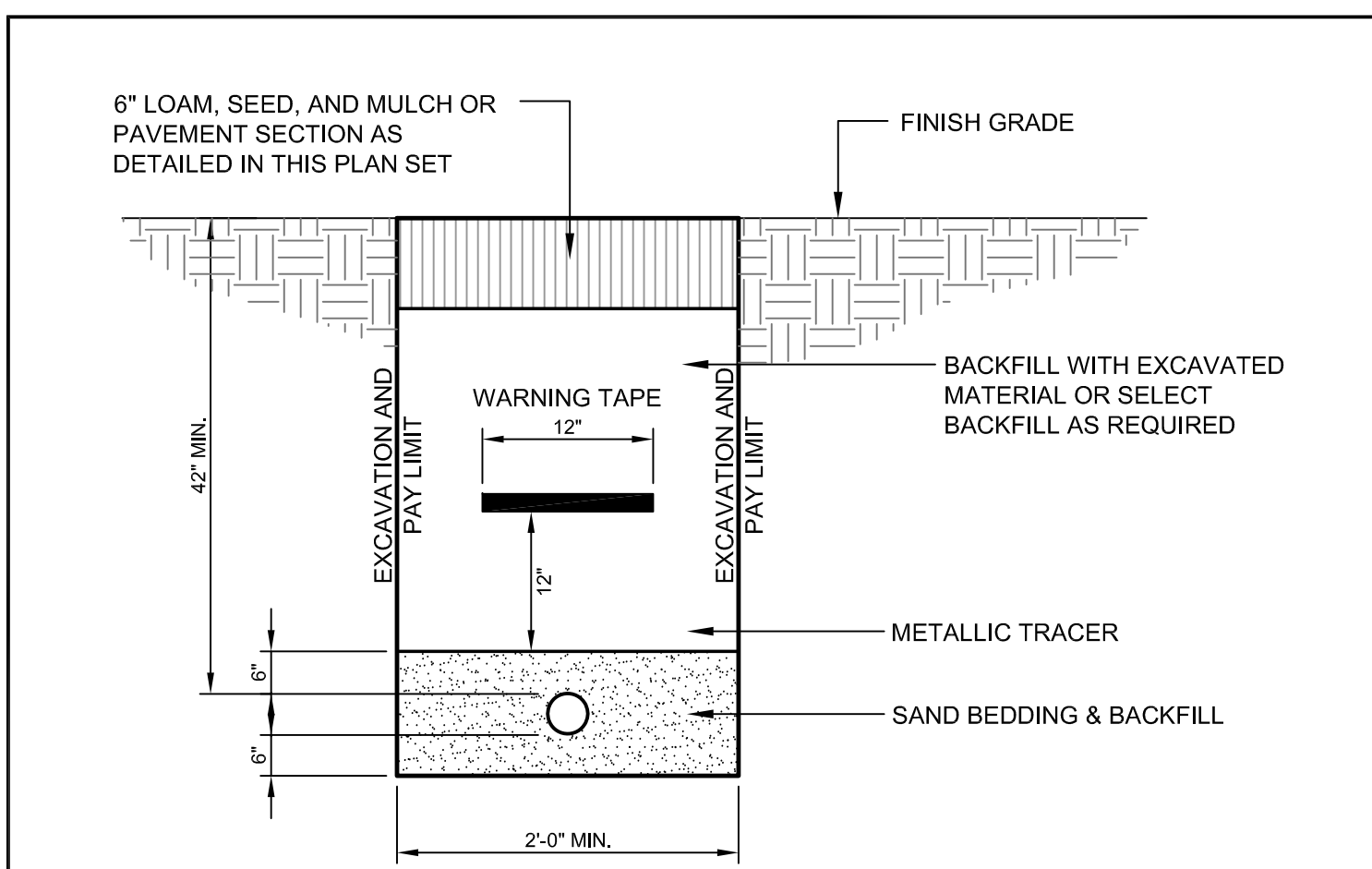


GENERAL NOTES:

- CONCRETE MINIMUM COMPRESSIVE STRENGTH 5000 PSI @ 28 DAYS WITH STEEL REINFORCEMENT
- OPENINGS SIZED FOR 4" & 6" CONDUITS.
- MEETS ALL CENTRAL MAINE POWER CO. SPECIFICATIONS.
- SUITABLE FOR PRIMARY CABLE INSTALLATIONS.
- IF INSTALLED IN A PAVED AREA, ORDER PRECAST SLAB FOR USE UNDER HANDHOLE FOR H-20 LOADING.
- ORDER 3 PIECE ETHERIDGE FOUNDRY "TYPE B" CASTING. MINIMUM ONE COURSE OF BRICK TO GRADE.

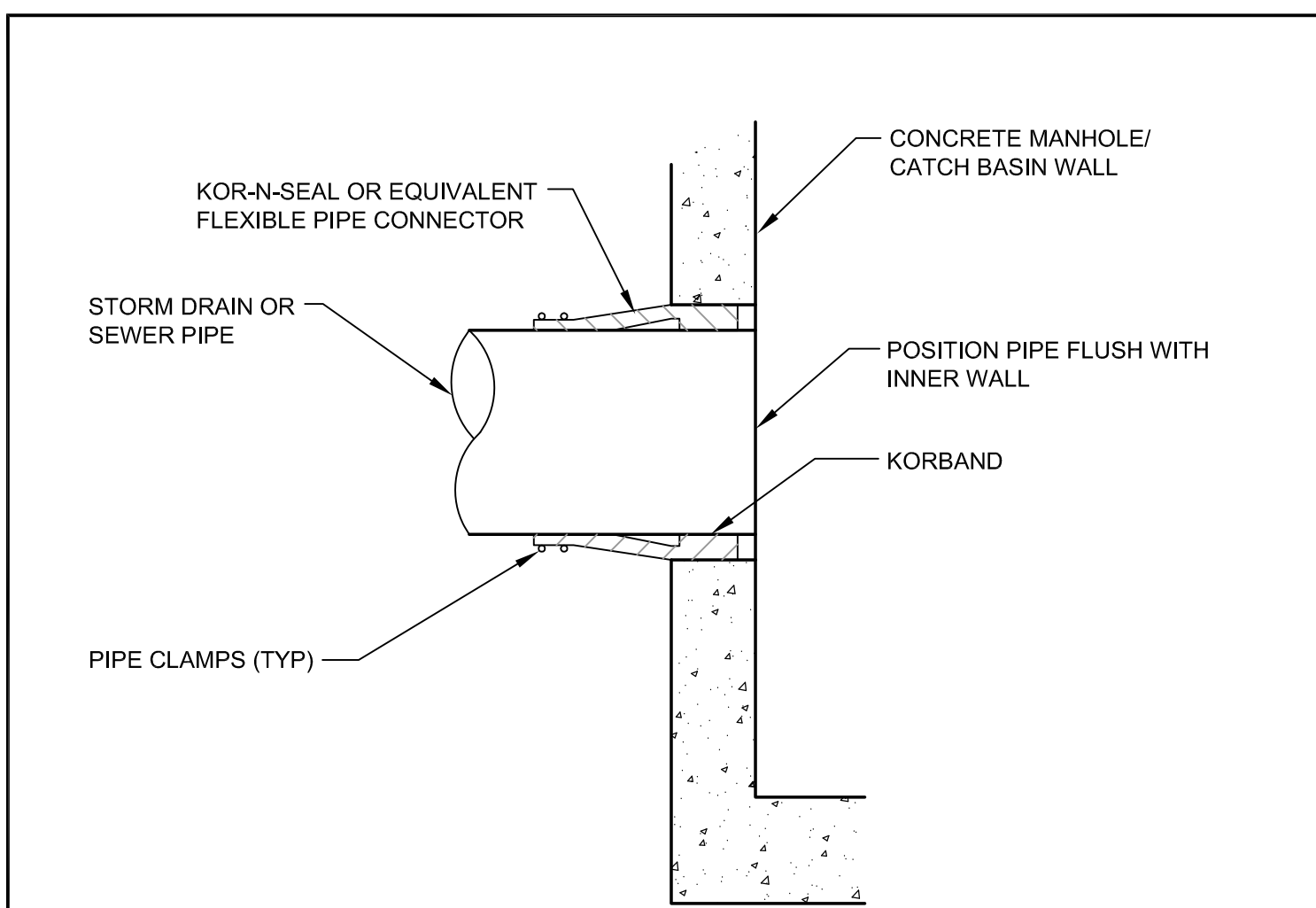


D SPLICE BOX DETAIL
N.T.S.

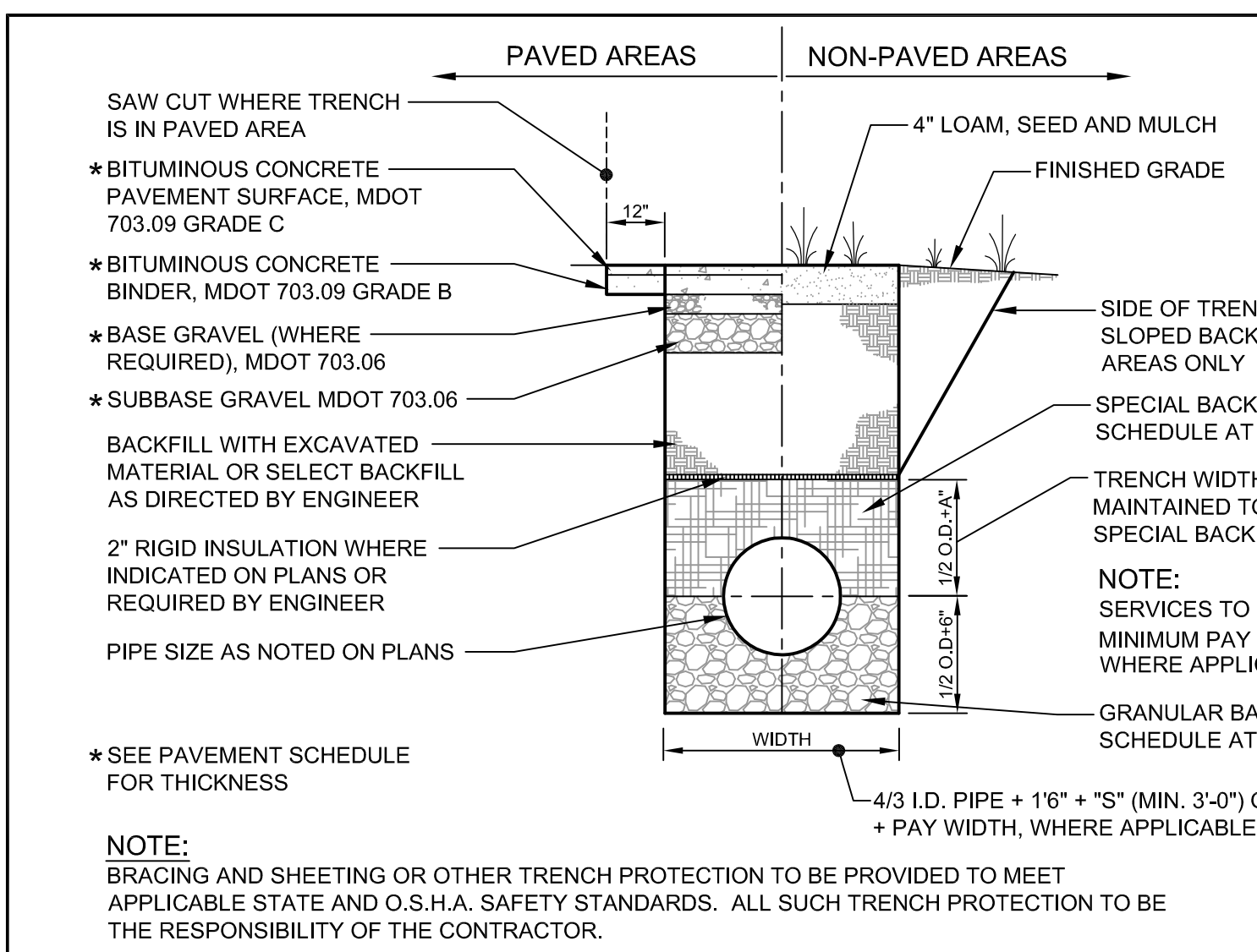


NOTE: GAS LINE TO BE INSTALLED BY OTHERS. SITE CONTRACTOR IS RESPONSIBLE FOR EXCAVATION AND BACKFILL OF THE GAS LINE AND PLACEMENT OF THE WARNING TAPES AND TRACER.

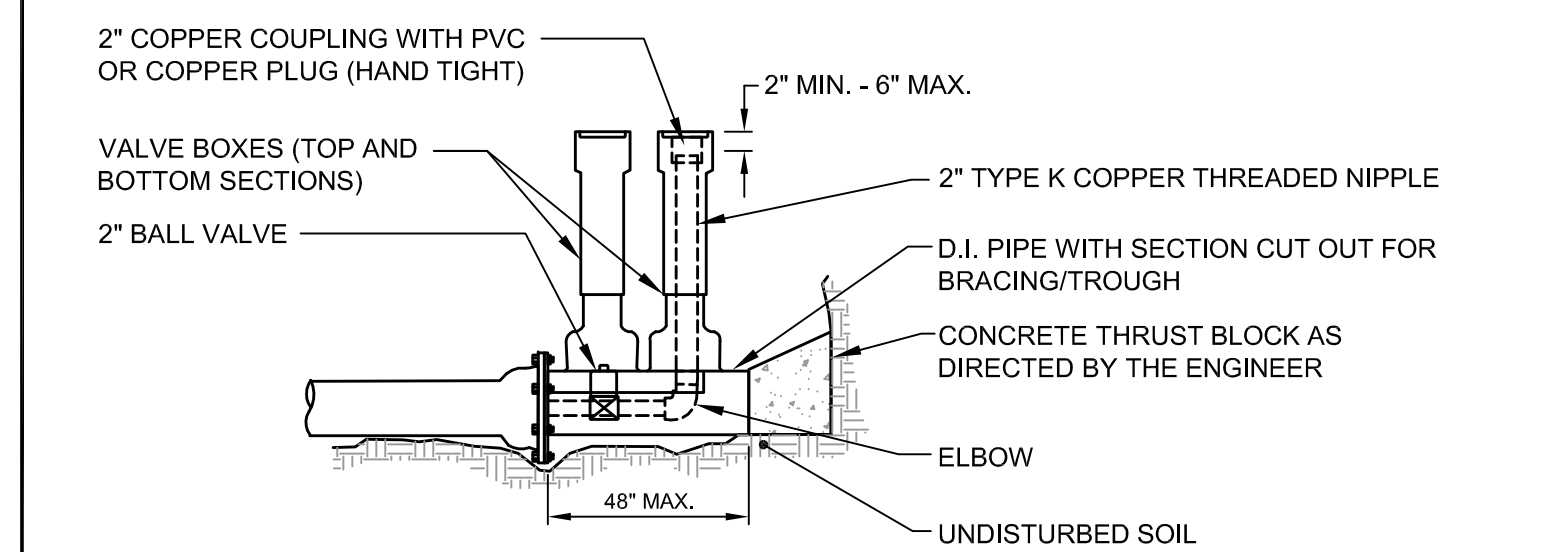
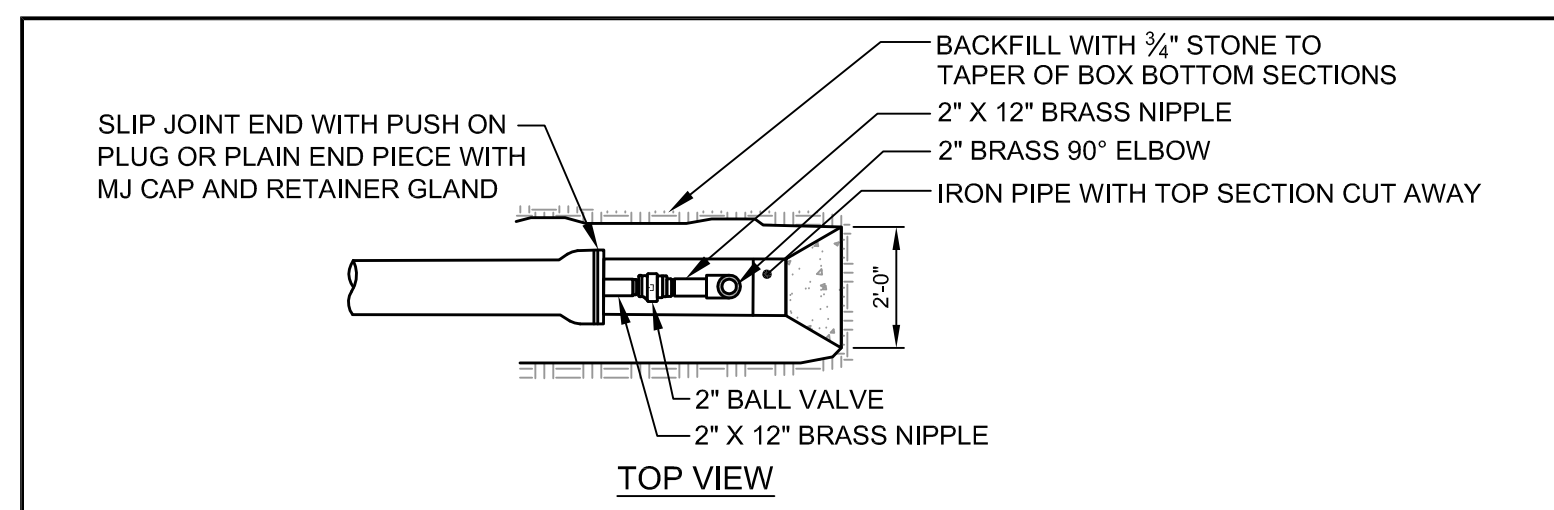
E GAS SERVICE TRENCH SECTION
N.T.S.



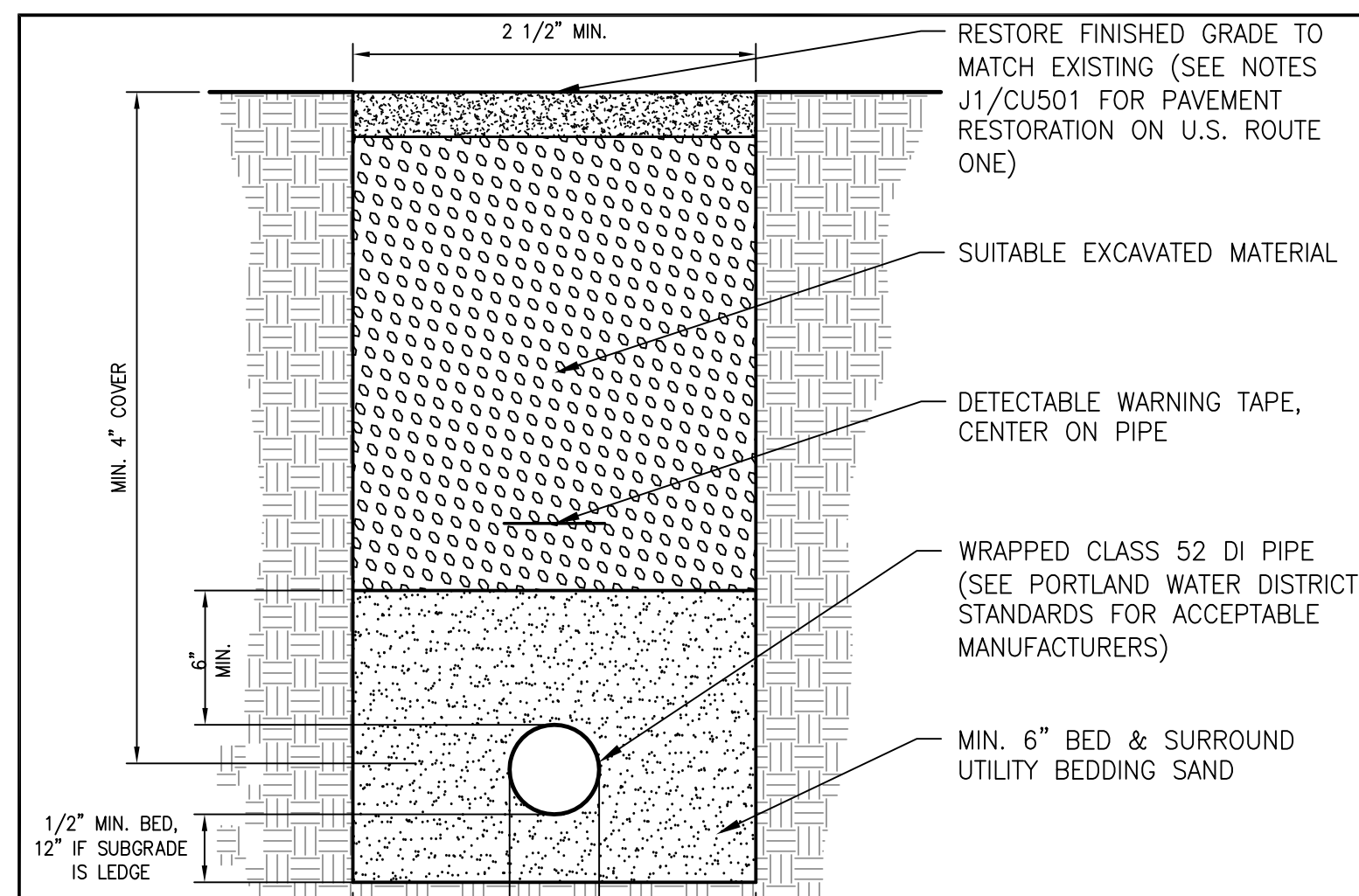
F PIPE CONNECTION TO PRECAST CONCRETE SANITARY SEWER AND STORM DRAINAGE STRUCTURES
N.T.S.



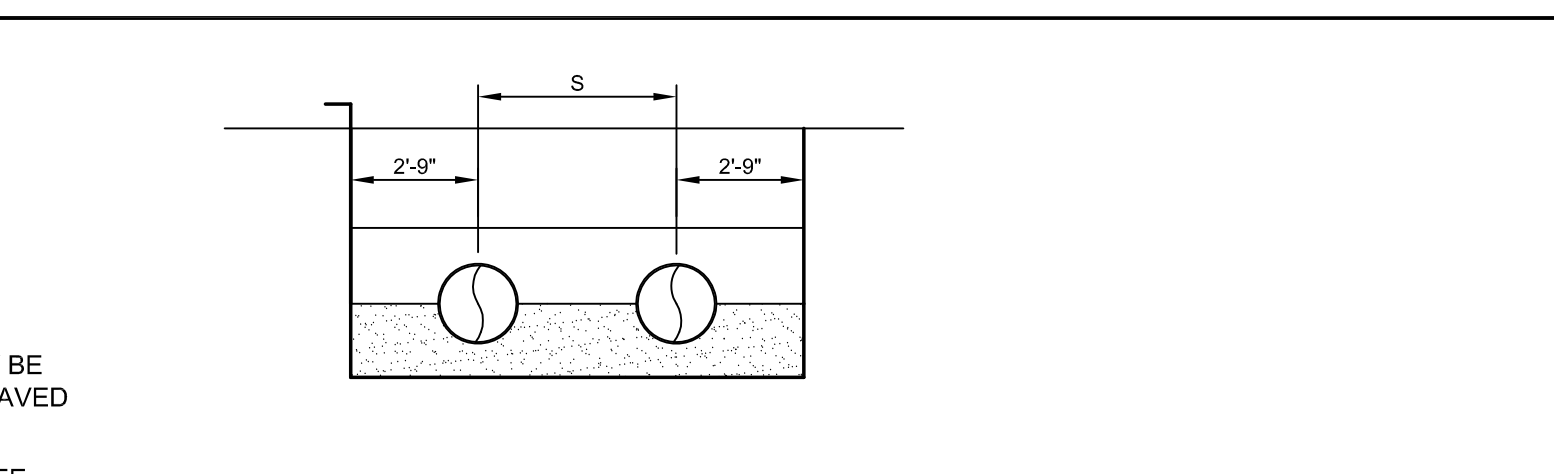
G TYPICAL SEWER AND STORM DRAIN TRENCH SECTION
N.T.S.



H WATER MAIN BLOWOFF DETAIL
N.T.S.



I WATER TRENCH DETAIL
N.T.S.



SCHEDULE OF BACKFILL				
TYPE OF PIPE	BEDDING MATERIAL	SPECIAL BACKFILL	SPECIAL BACKFILL COVER 'A' (IN)	SELECT BACKFILL
PVC	3/4" CRUSHED STONE	GRANULAR AASHTO M145 A-3 OR BETTER	6	GRANULAR AASHTO M145 A-3 OR BETTER
HDPE	3/4" CRUSHED STONE	GRANULAR AASHTO M145 A-3 OR BETTER	6	GRANULAR AASHTO M145 A-3 OR BETTER

PRELIMINARY - NOT FOR CONSTRUCTION

PROJECT: MOTHERHOUSE SENIOR HOUSING				FAY, SPOFFORD & THORNDIKE ENGINEERS - PLANNERS - SCIENTISTS 778 MAIN ST, SUITE 8, SOUTH PORTLAND, ME 04106	
SHEET TITLE: UTILITY DETAILS				DRAWN: DED DESIGNED: ADJ CHECKED: ADJ	DATE: JUNE 2015 SCALE: AS NOTED JOB NO: SP-M162
CLIENT: MOTHERHOUSE ASSOCIATES LP		REVISIONS:		FILE NAME: SP-M162 DETAILS SHEET: C7.0	