

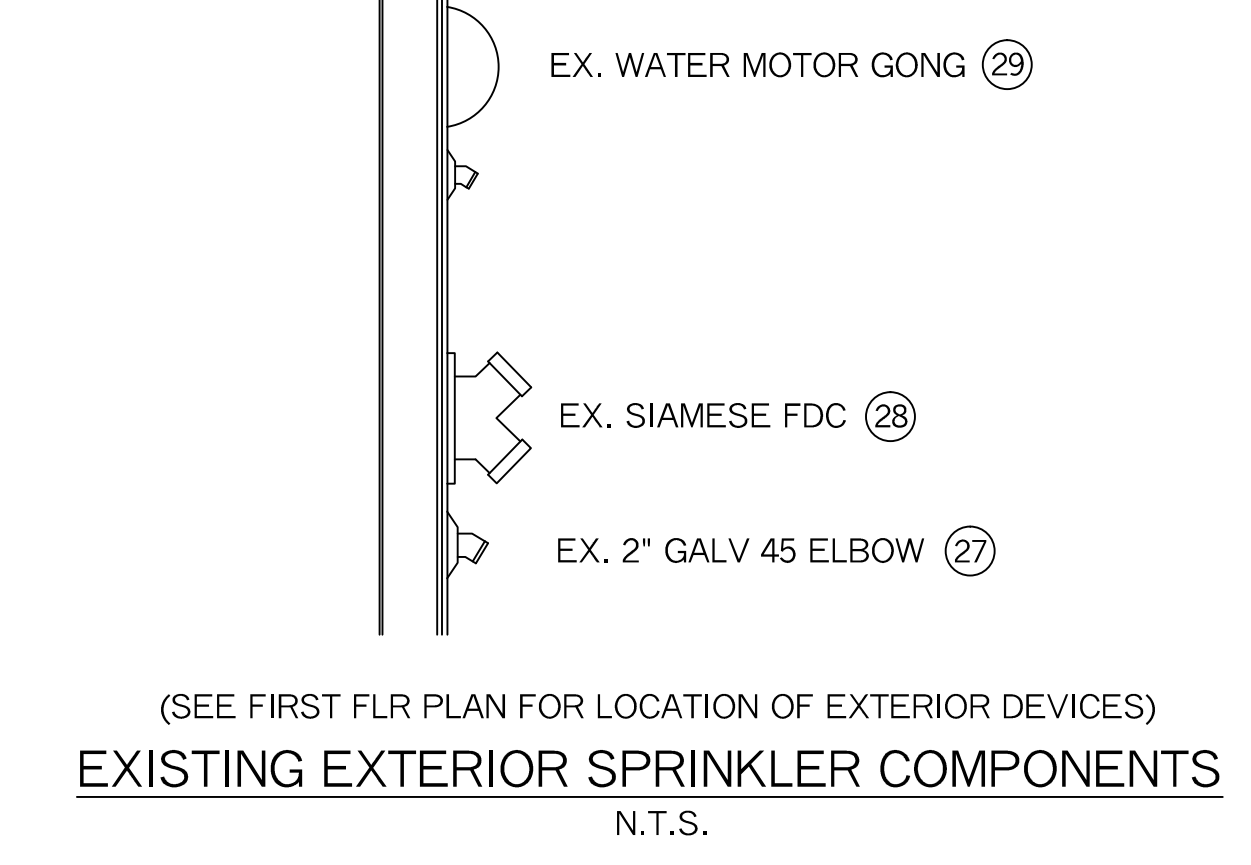
SECOND FLOOR PLAN

SCALE: 1/8" = 1'-0"
 FLR ELEV: 129'-0"
 TOTAL FLR AREA = 20,752 SF

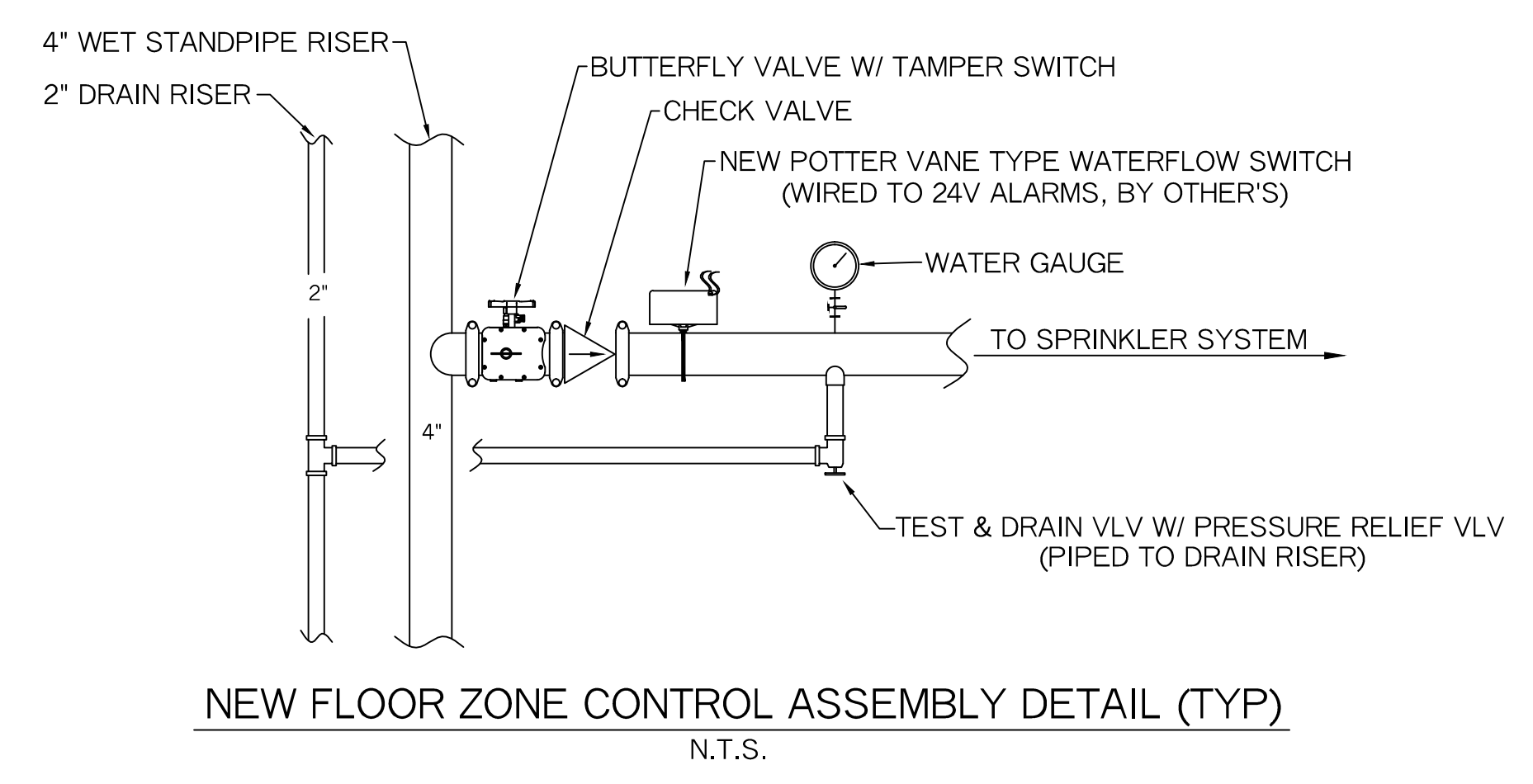
SPRINKLER HEAD INFORMATION, FOR THIS FLOOR ONLY

QTY	SIZE	ORIFICE	K-FACTOR	DESCRIPTION	MODEL	TEMP	ESCUTCHEON	SYMBOL
137	1/2"	7/16"	4.9	VIKING WHITE RESIDENTIAL PENDENT	VK468	155°	CONCEALED	●
117	1/2"	7/16"	4.0	VIKING WHITE RESIDENTIAL HOR. SIDEWALL	VK486	155°	RECESSED	◐

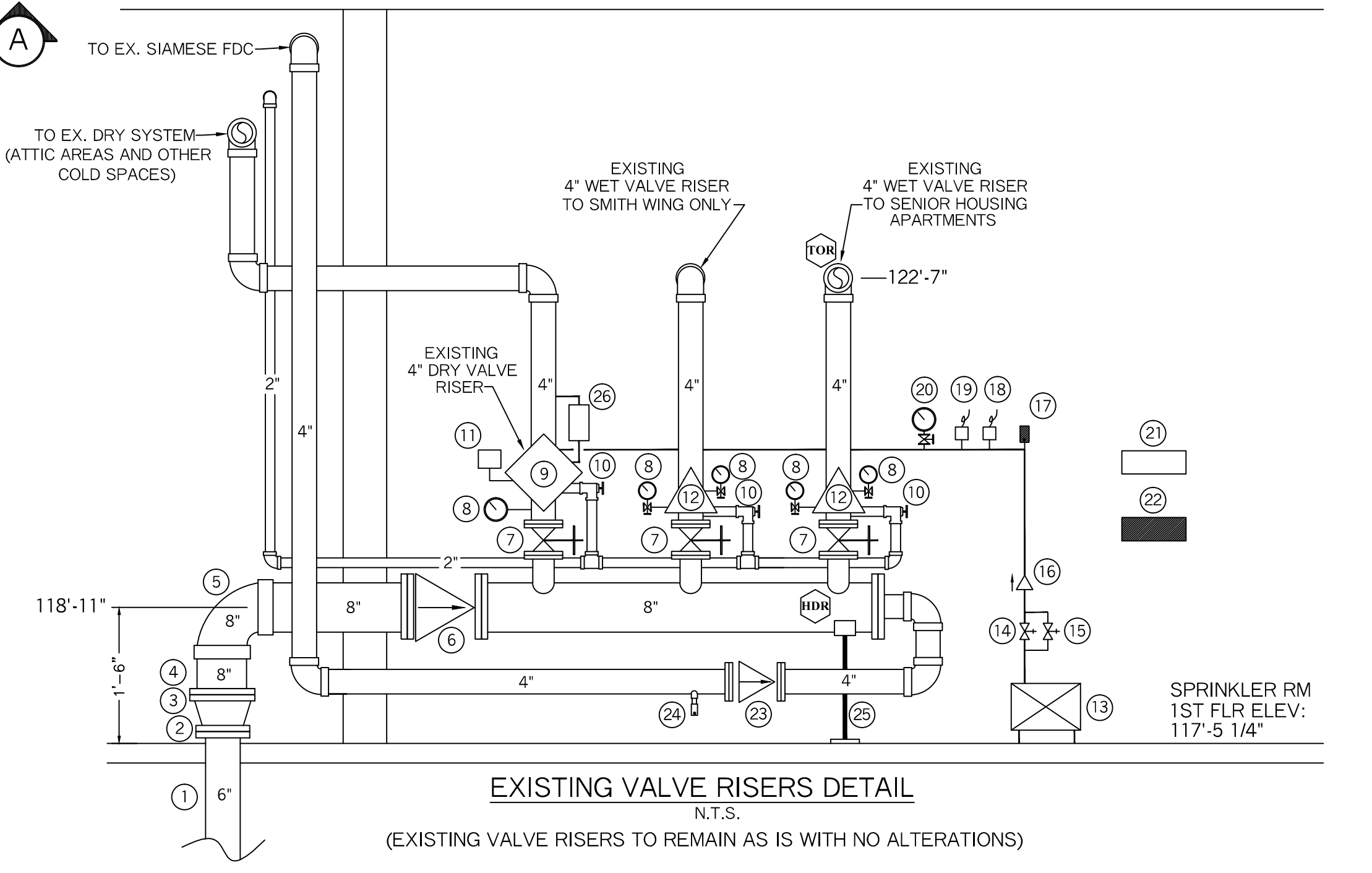
TOTAL HD'S = 254



(SEE FIRST FLR PLAN FOR LOCATION OF EXTERIOR DEVICES)
EXISTING EXTERIOR SPRINKLER COMPONENTS
 N.T.S.



NEW FLOOR ZONE CONTROL ASSEMBLY DETAIL (TYP)
 N.T.S.



EXISTING VALVE RISERS DETAIL
 N.T.S.
 (EXISTING VALVE RISERS TO REMAIN AS IS WITH NO ALTERATIONS)

EXISTING VALVE RISER LEGEND

- | | |
|---|---|
| 1 NEW 6\"/> | 16 EX. 1/2\"/> |
| 2 NEW 6\"/> | 17 EX. 1/2\"/> |
| 3 NEW 8\"/> | 18 EX. LOW AIR SWITCH, 20-40 |
| 4 EX. 8\"/> | 19 EX. COMPRESSOR ON-OFF SWITCH |
| 5 EX. 8\"/> | 20 EX. AIR PRESSURE GAUGES (3.5\"/> |
| 6 EX. 8\"/> | 21 EX. SPARE HEAD BOX, 12 HD CAPACITY W/ WRENCH |
| 7 EX. 4\"/> | 22 NEW SPARE HEAD BOX, 12 HD CAPACITY W/ WRENCH |
| 8 EX. WATER PRESSURE GAUGES (3.5\"/> | 23 EX. 4\"/> |
| 9 EX. 4\"/> | 24 EX. 1/2\"/> |
| 10 EX. 2\"/> | 25 EX. PIPE STAND |
| 11 EX. PRESSURE SWITCH | 26 EX. ACCELERATOR |
| 12 EX. 4\"/> | 27 EX. 2\"/> |
| 13 EX. BASE MOUNTED 3/4 HP AIR COMPRESSOR, 120V | 28 EX. 2 1/2\"/> |
| 14 EX. 1/2\"/> | 29 EX. WATER MOTOR GONG ALARM |
| 15 EX. 1/4\"/> | |

MOTHERHOUSE SENIOR HOUSING 605 STEVENS AVE PORTLAND, ME. 04103	FIRE SPRINKLER PLANS AND DETAILS REQUIRED APPROVALS: STATE FIRE MARSHALS OFFICE LOCAL FIRE DEPARTMENT OWNER	 PROTECTION, LLC DATE: 7-27-2017 SCALE: 1/8" = 1'-0" CONTRACT NO. C17011 DRAWING NO. 2 OF 5
	CONTRACT WITH: PORTLAND BUILDERS, INC 70 CENTER STREET, SUITE 304 PORTLAND, ME. 04101 PH: (207) 879-0118	
RESIDENTIAL FIRE PROTECTION 64 DAGGETT HILL ROAD, GREENE, MAINE 04236 PH: (207) 946-3473 FAX: (207) 946-3474		