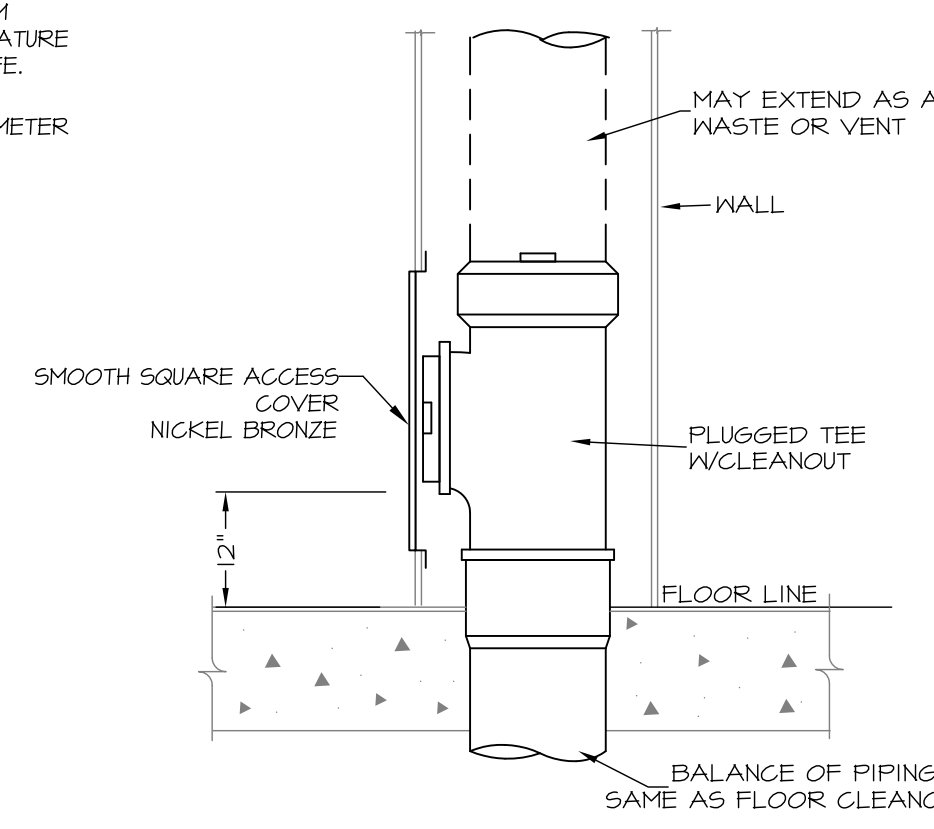
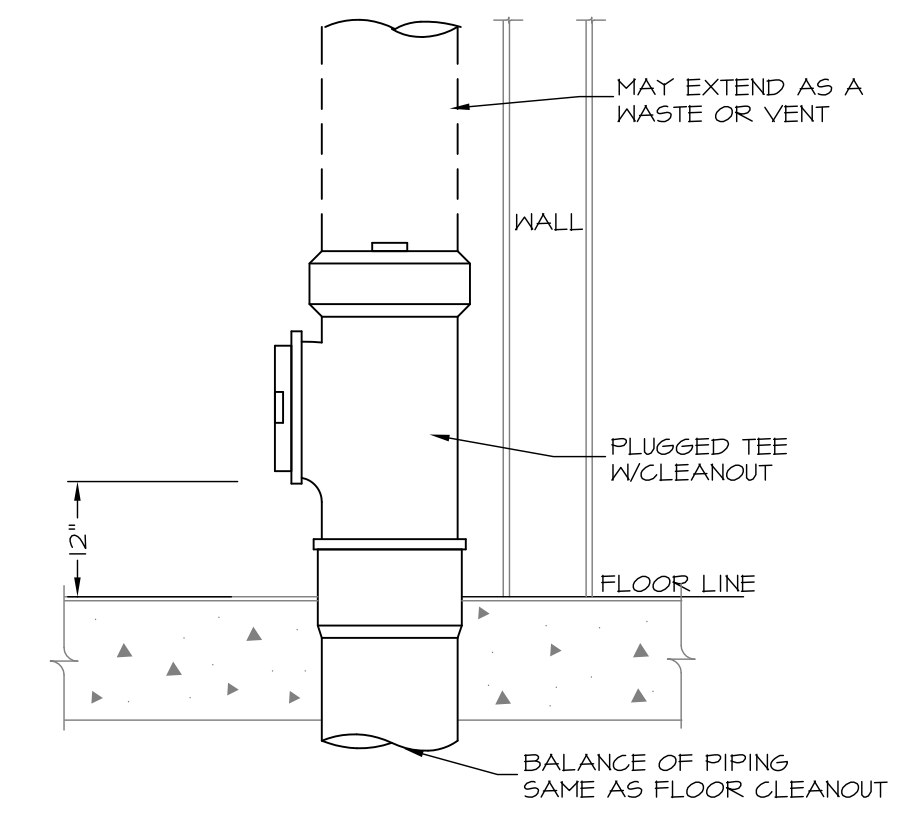


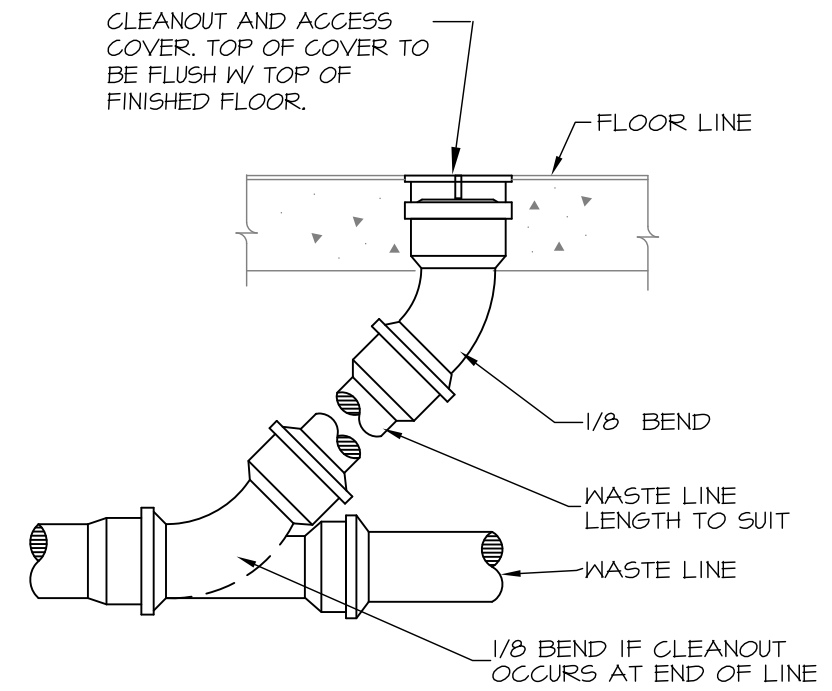
1
 P1
HOT WATER TANK PIPING DIAGRAM
 SCALE: NONE



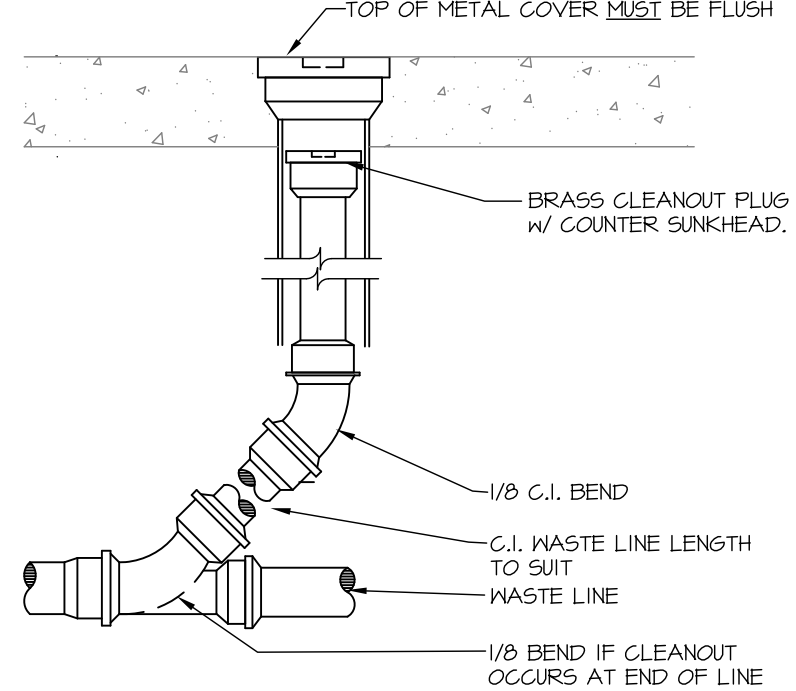
2
 TYP
WALL CLEAN OUT DETAIL
 SCALE: NONE



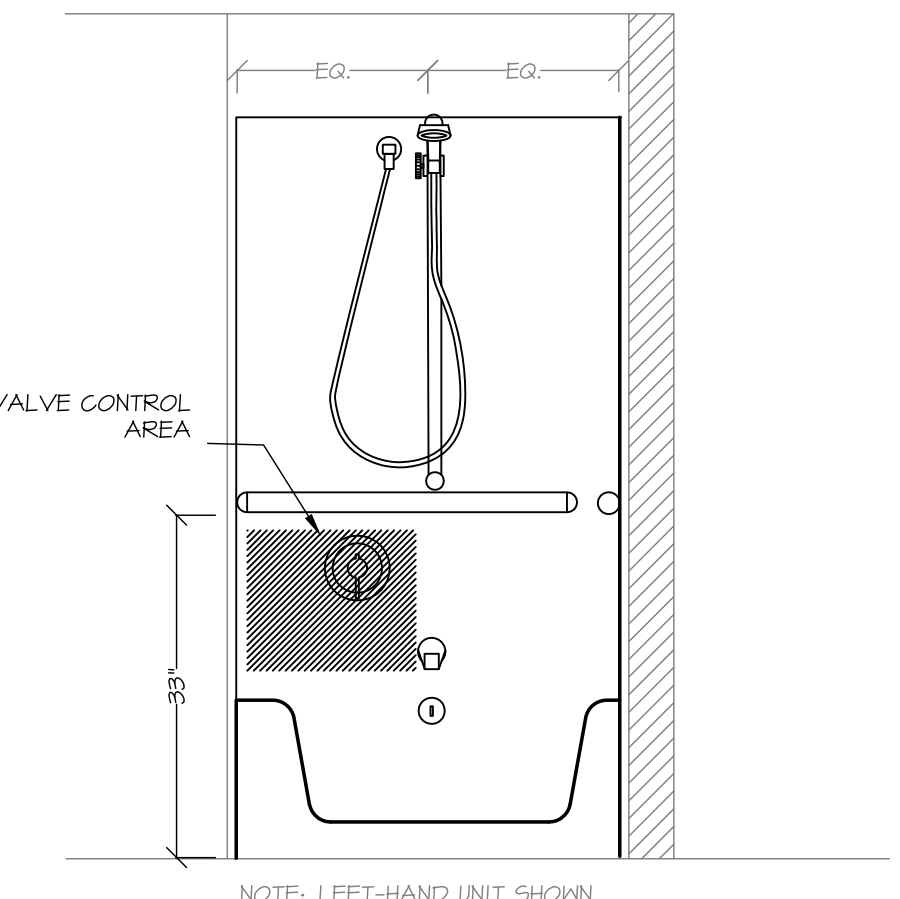
3
 TYP
EXPOSED CLEAN OUT DETAIL
 SCALE: NONE



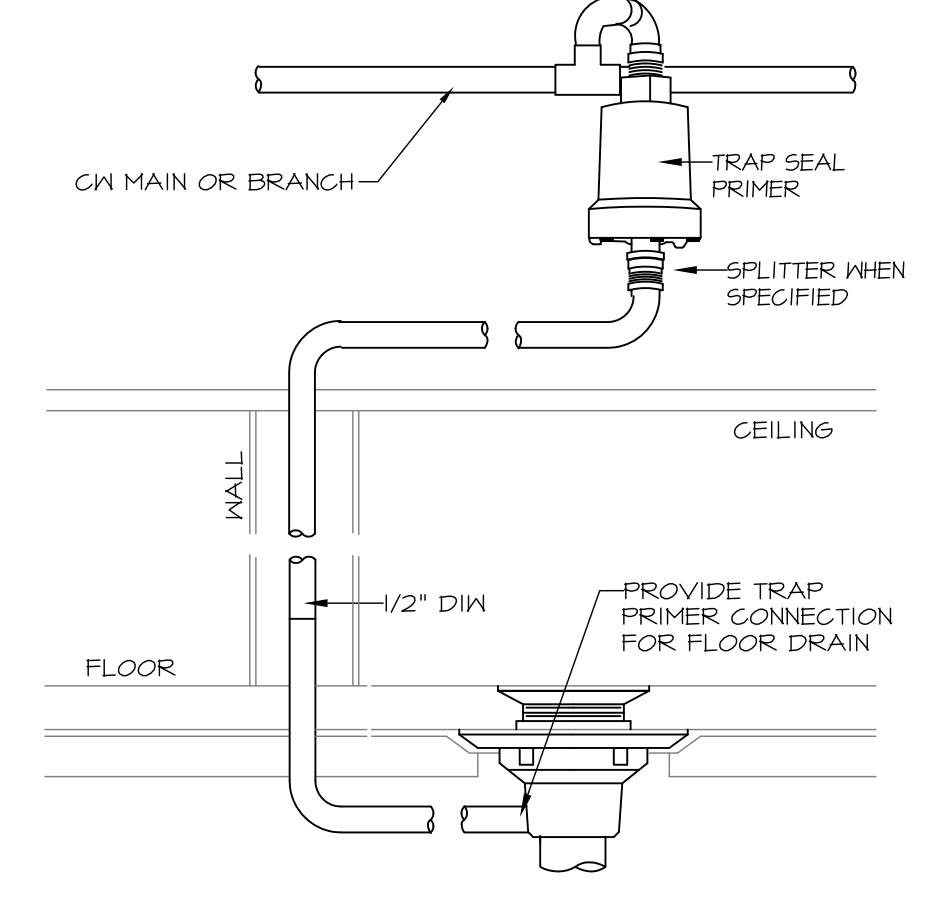
4
 TYP
FLOOR CLEAN OUT DETAIL
 SCALE: NONE



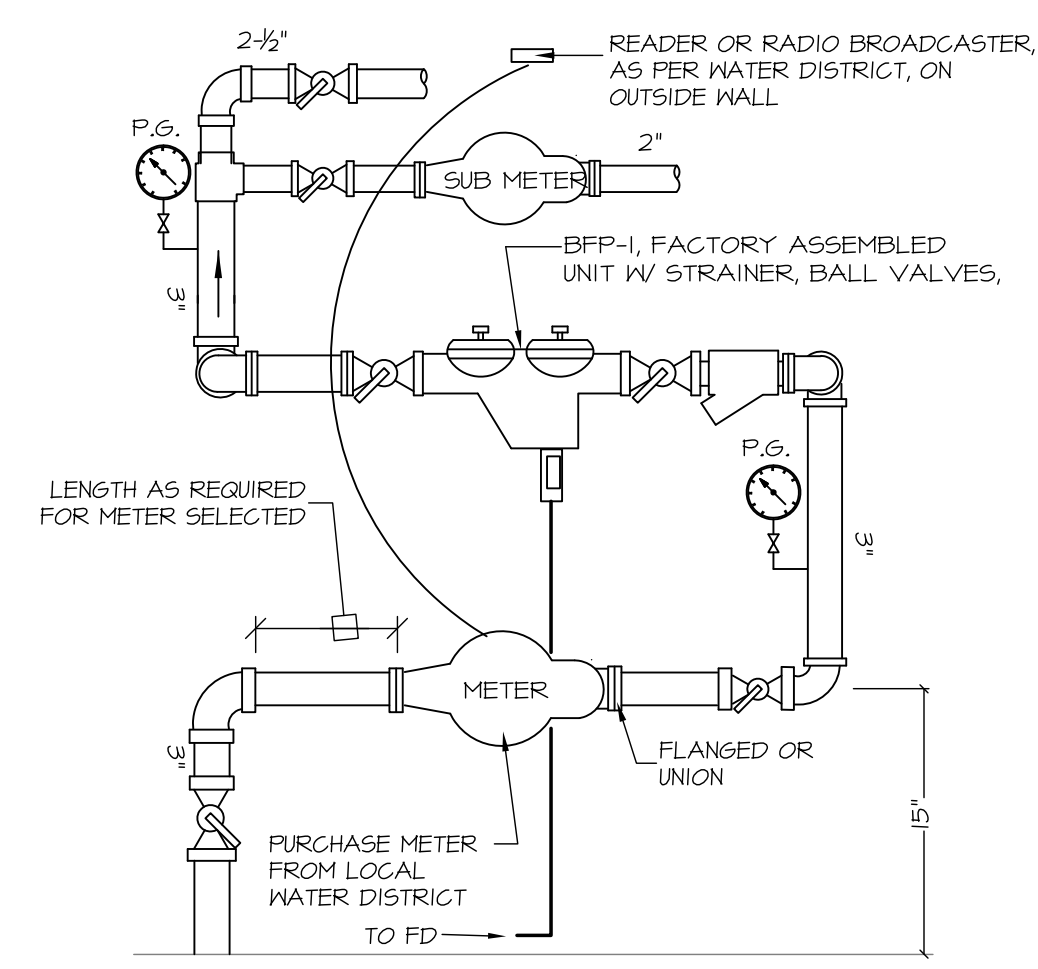
5
 TYP
EXTERIOR CLEANOUT TO GRADE DETAIL
 SCALE: NONE



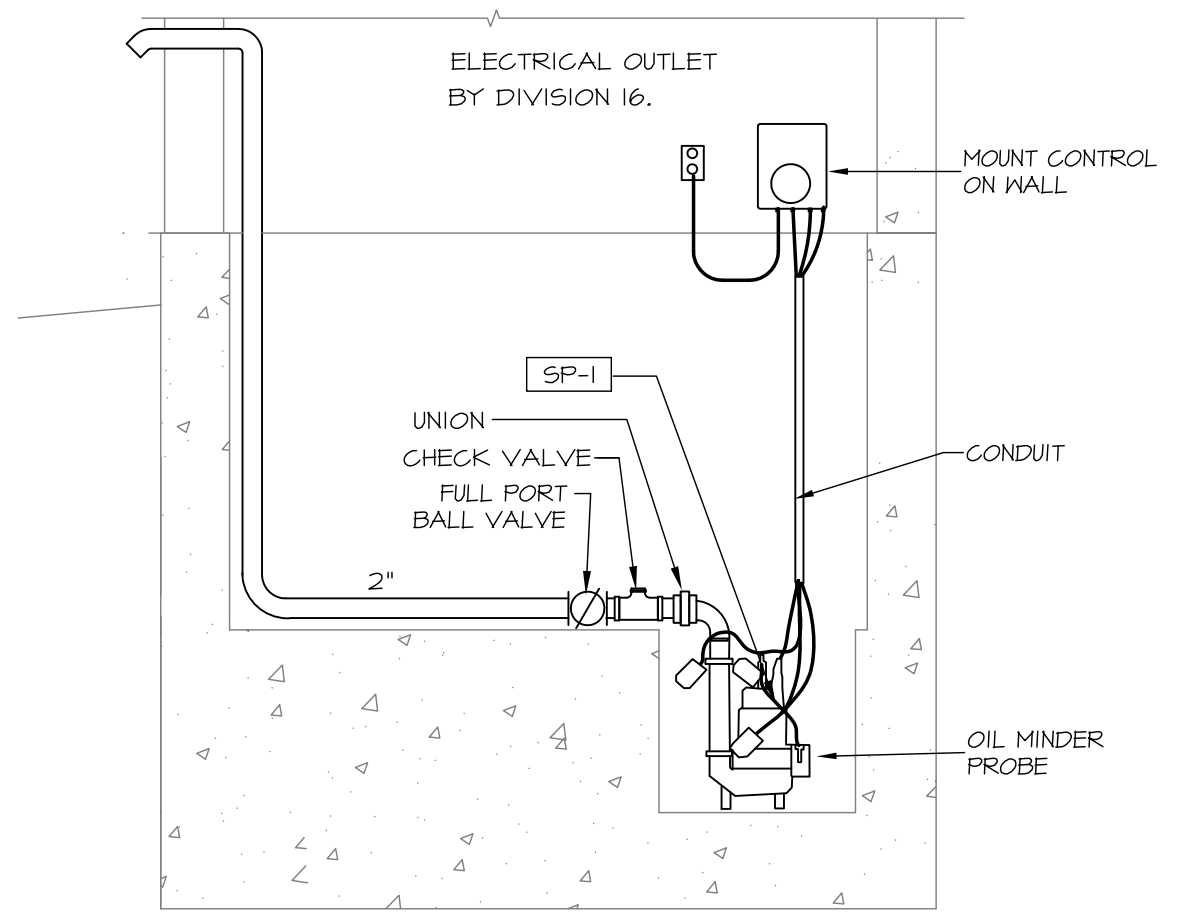
6
 TYP
ADA TUB/SHOWER CONTROL LOCATION
 SCALE: NONE



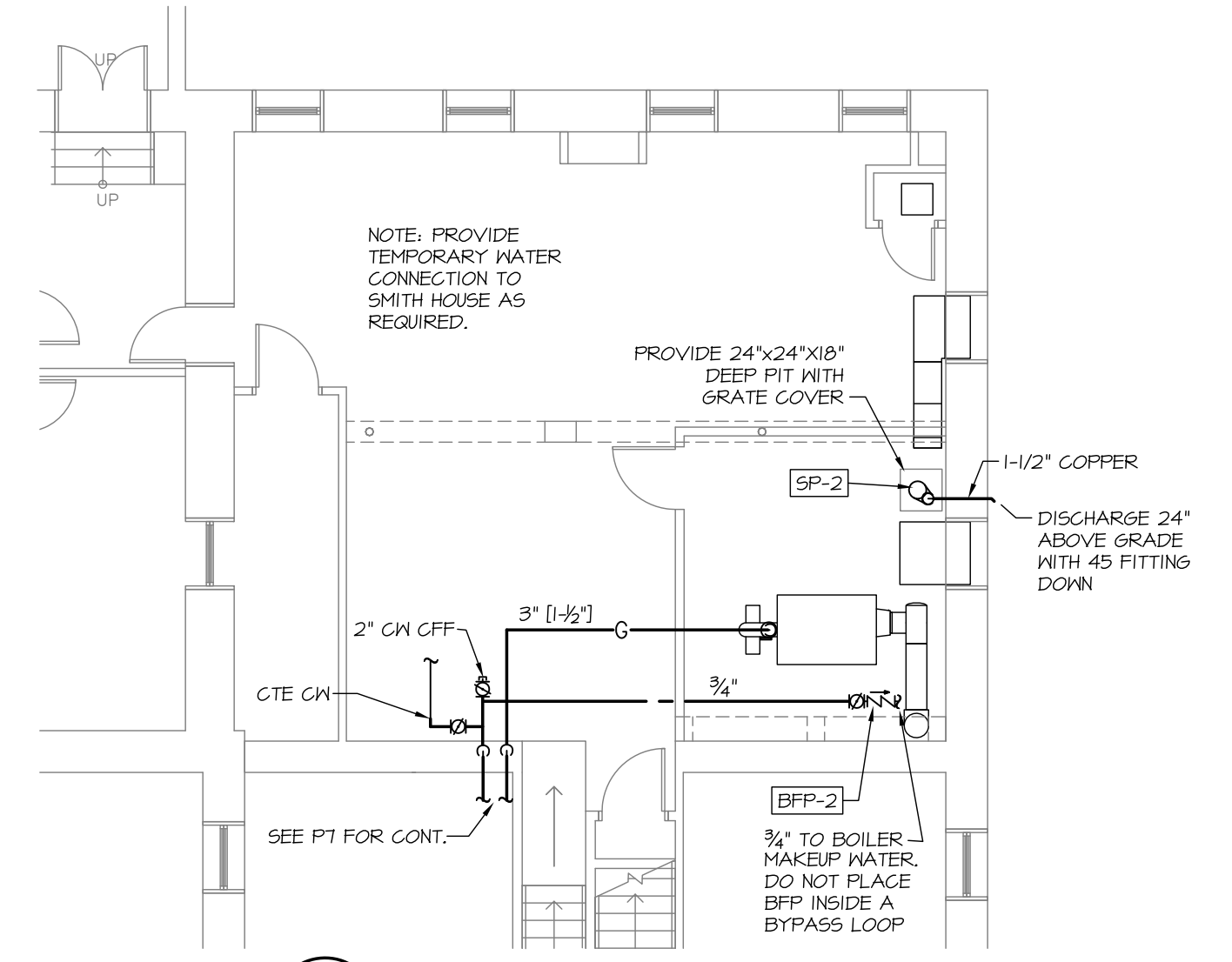
7
 TYP
TP-1 TRAP SEAL PRIMER DETAIL
 SCALE: NONE



8
 P1
MAIN DOMESTIC WATER ENTRANCE
 SCALE: NONE



9
 P2
ELEVATOR SUMP PUMP DETAIL
 SCALE: NONE



10
SMITH BOILER ROOM
 SCALE: 1/8"=1'-0"

Prepared For:	MOTHERHOUSE LLC Portland, ME 04103
Consulting Engineer:	MECHANICAL SYSTEMS ENGINEERS 10 FOREST FALLS DRIVE, WARRENTHURST, MAINE 04098 (207) 846-1441 FACEBOOK: MSESYS ENGINEERS © COPYRIGHT 2015
Architect:	ARCHETYPE architects 48 Union Wharf, Portland, Maine 04101 (207) 772-6022 ARCHETYPE@ARCHETYPEPA.COM
Project:	MOTHERHOUSE SENIOR HOUSING PORTLAND, MAINE
Revisions:	Permit Set: 15 February 2016
Date:	15 FEB. 2016
Scale:	None
PLUMBING DETAILS	
P12	
MSE PROJECT 1530	

