

Prepared For:  
**MOTHERHOUSE LLC**  
Portland, ME 04103

Consulting Engineer:  
**MECHANICAL SYSTEMS ENGINEERS**  
ROYAL RIVER CENTER, UNIT 108  
10 FOREST FALLS (207) 842-4411  
FACEBOOK: MECHANICAL SYSTEMS ENGINEERS  
© COPYRIGHT 2016

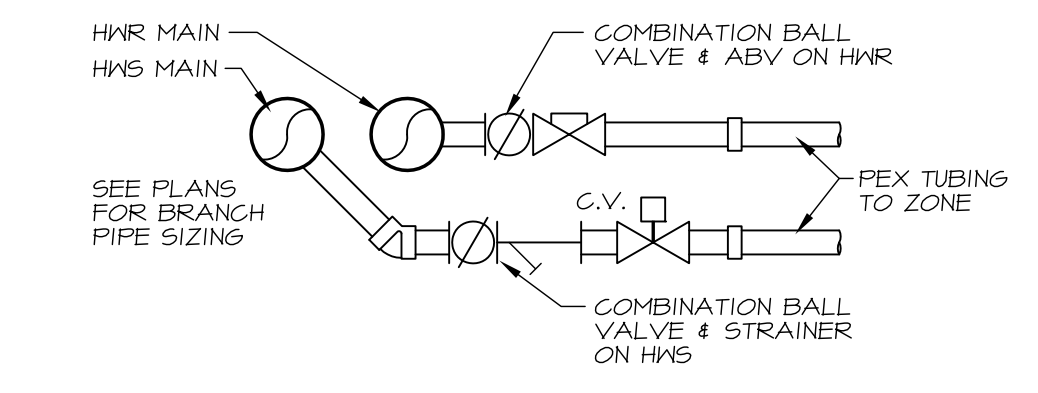
Architect:  
**ARCHETYPE architects**  
48 Union Wharf Portland, Maine 04101  
(207) 773-6022 ARCHETYPE@ARCHETYPEPA.COM

Project:  
**MOTHERHOUSE SENIOR HOUSING**  
PORTLAND, MAINE

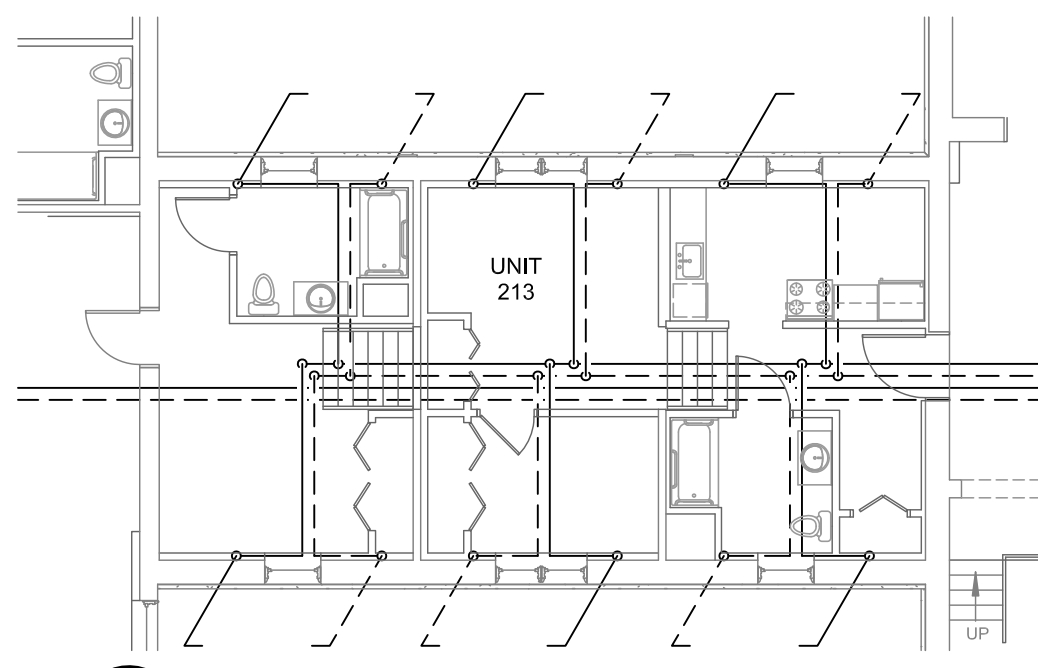
Revisions:  
Permit Set: 15 February 2016

Date:  
15 FEB. 2016  
**SECOND FLOOR MECHANICAL PIPING**

**M2**  
MSE PROJECT 1530

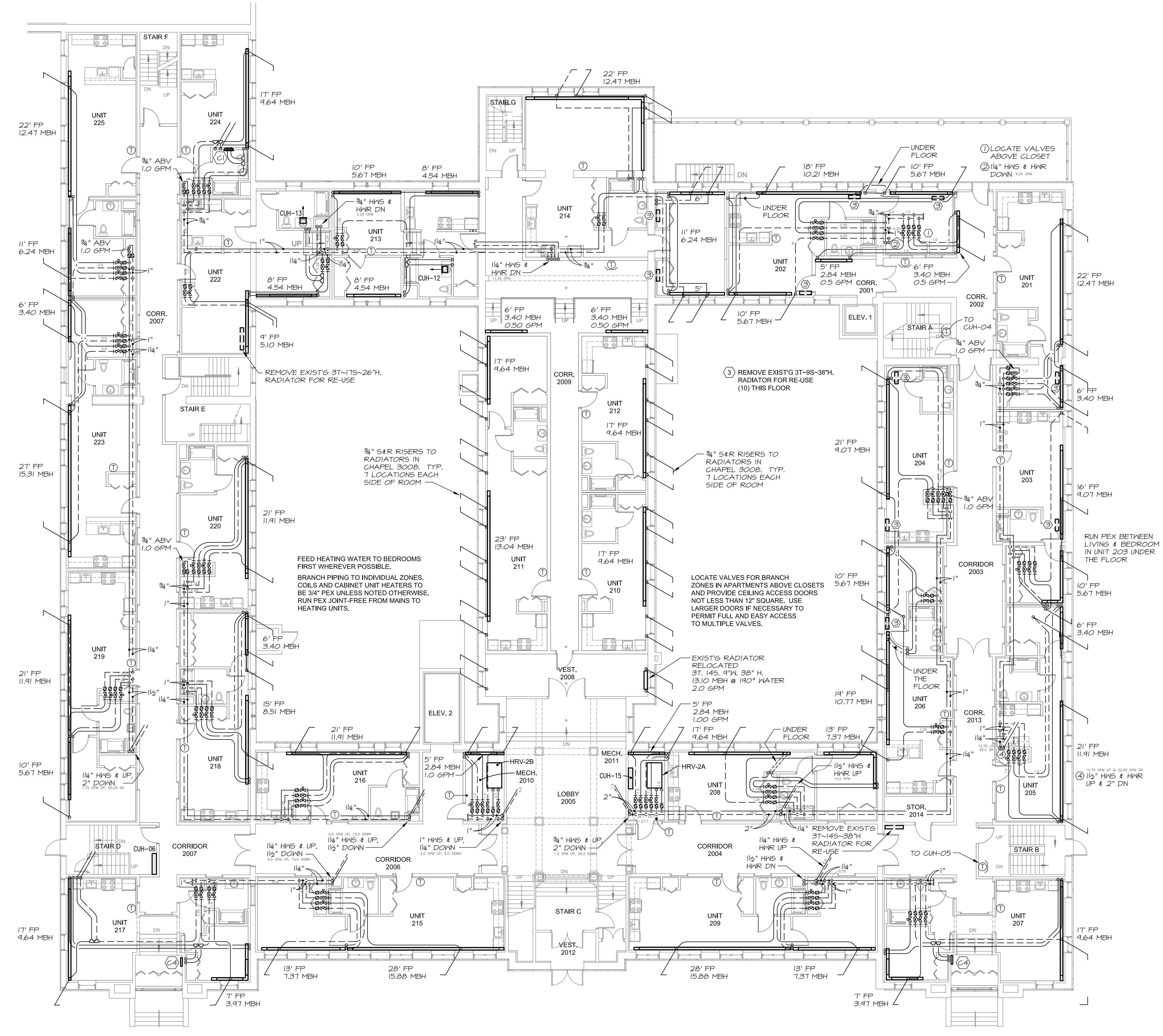


**1 BRANCH PIPING CONNECTION AT MAINS**  
NO SCALE



**2 HIGH TEMPERATURE PIPING TO CHAPEL 3008A**  
SCALE: 3/32" = 1'-0"

APARTMENT WATER FLOW		
UNIT	MBH	GPM
201	15.88	1.75
202	21.55	2.25
203	14.74	1.50
204	11.91	1.25
205	15.31	1.50
206	16.44	1.75
207	14.54	1.50
208	17.01	1.75
209	23.81	2.50
210	9.64	1.00
211	19.28	2.00
212	9.64	1.00
213	17.76	1.75
214	18.71	2.00
215	23.81	2.50
216	11.91	1.25
217	13.97	1.50
218	11.91	1.25
219	17.58	1.75
220	11.91	1.25
222	12.66	1.25
223	18.71	2.00
224	10.57	1.00
225	18.71	2.00



February 26, 2016 - 9:48 am  
\\VBEFSP\Projects\1530 Motherhouse SA\Drawings\1530\_M1-M5.dwg

