

**MOTHERHOUSE LLC**  
Portland, ME 04103

Consulting Engineer:  
**MECHANICAL SYSTEMS ENGINEERS**  
ROYAL RIVER CENTER, UNIT 108  
FOREST FALLS, PORTLAND, MAINE 04106  
FACEBOOK: MECHANICAL SYSTEMS ENGINEERS  
© COPYRIGHT 2016

Architect:  
**ARCHETYPE architects**  
48 Union Wharf Portland, Maine 04101  
(207) 775-6022 ARCHETYPE@ARCHETYPEPA.COM

Project:  
**MOTHERHOUSE SENIOR HOUSING**  
PORTLAND, MAINE

Revisions:  
Permit Set: 1 March 2016

Date: 01 MARCH 2016  
Scale: 3/8" = 1'-0"

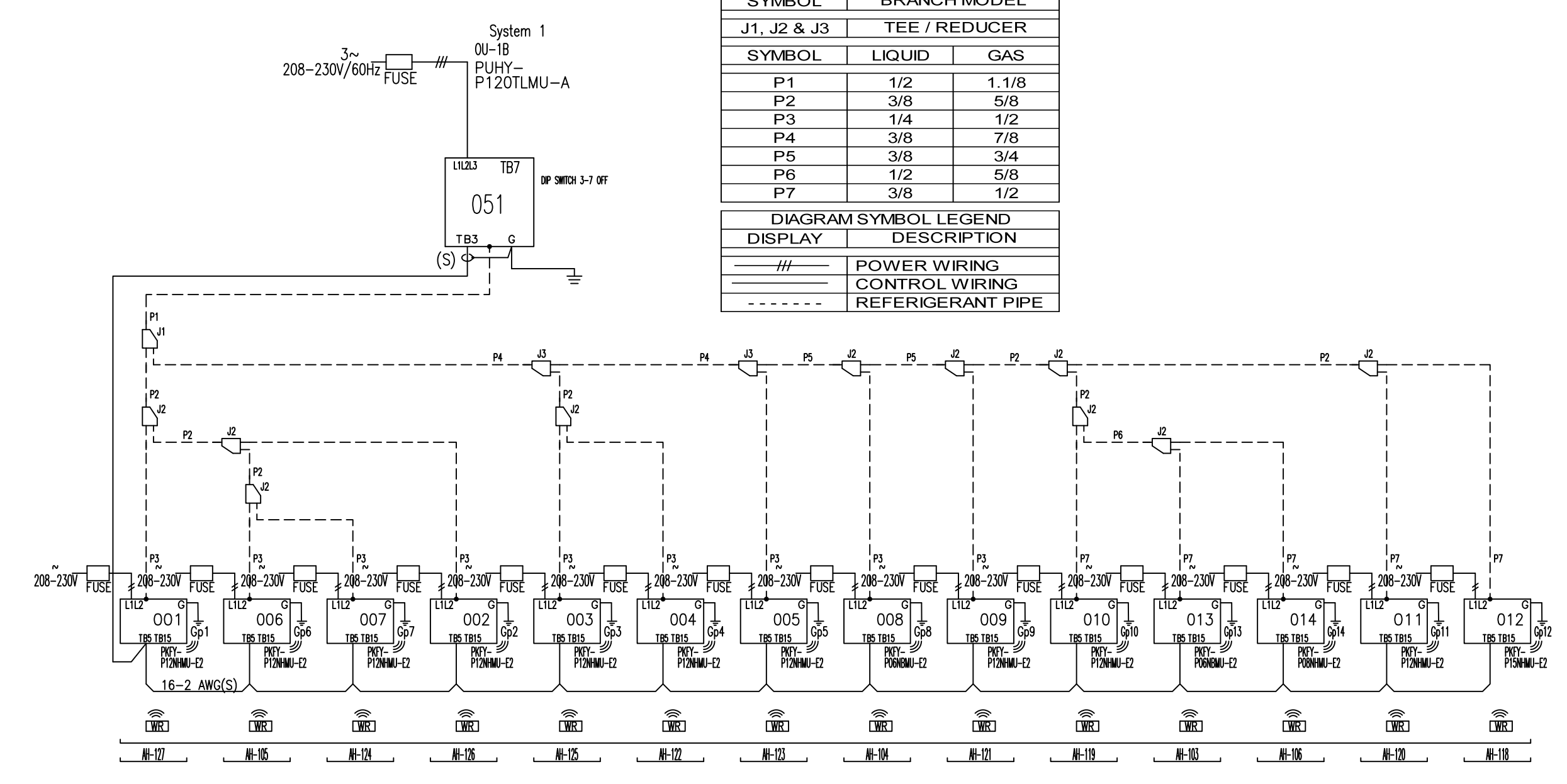
**COOLING SYSTEM DIAGRAMS**  
M17  
MSE PROJECT 1530



PIPING LEGEND	
SYMBOL	BRANCH MODEL
J1, J2 & J3	TEE / REDUCER
SYMBOL LIQUID GAS	
P1	1/2 1.1/8
P2	3/8 5/8
P3	1/4 1/2
P4	3/8 7/8
P5	3/8 1/2
P6	3/8 3/4
P7	1/2 5/8

DIAGRAM SYMBOL LEGEND	
DISPLAY	DESCRIPTION
---	POWER WIRING
---	CONTROL WIRING
---	REFRIGERANT PIPE

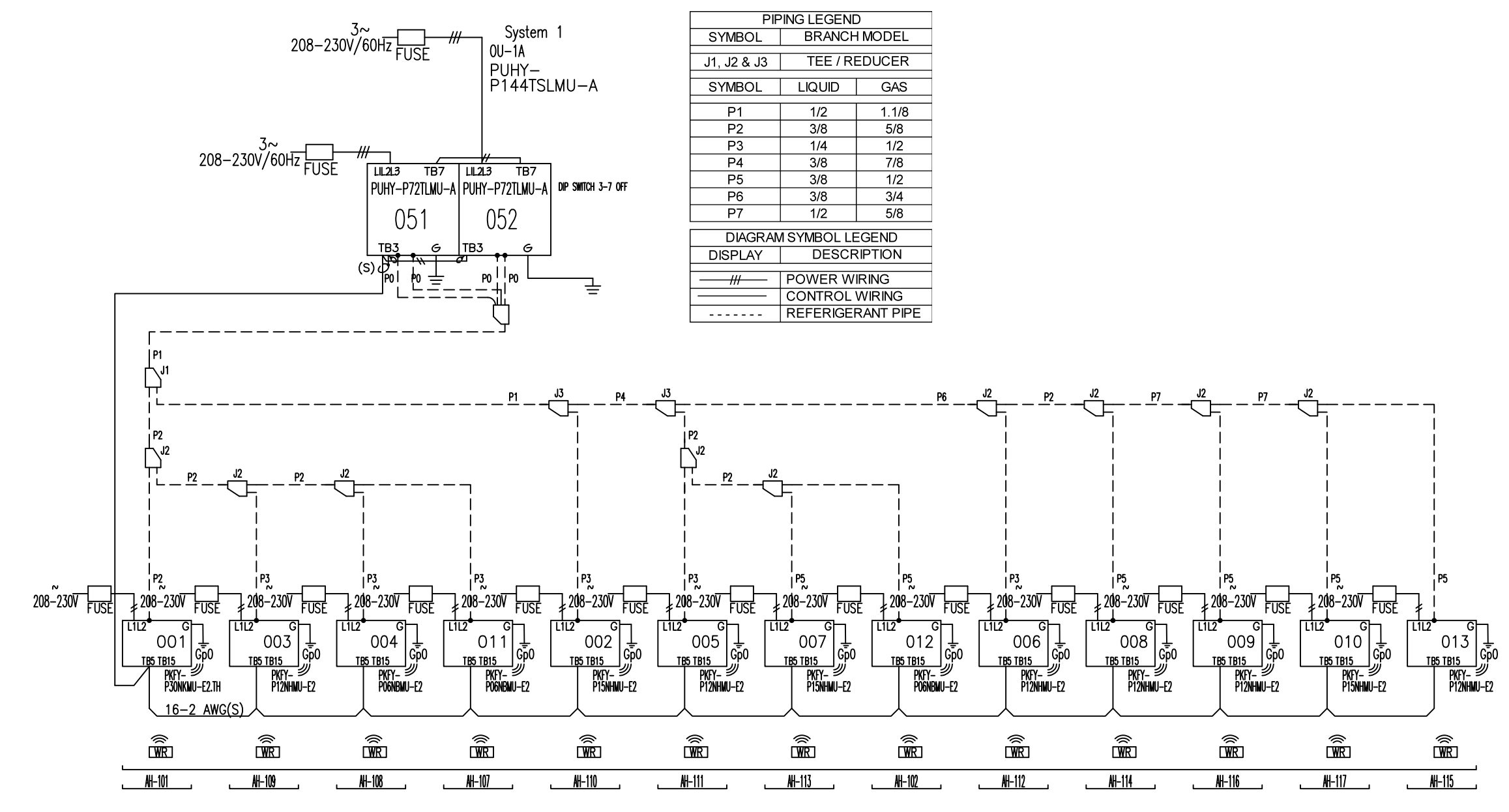


**2 DIAGRAM OF COOLING SYSTEM 1B**  
NO SCALE

PIPING LEGEND	
SYMBOL	BRANCH MODEL
J1, J2 & J3	TEE / REDUCER
SYMBOL LIQUID GAS	
P1	1/2 1.1/8
P2	3/8 5/8
P3	1/4 1/2
P4	3/8 7/8
P5	3/8 1/2
P6	3/8 3/4
P7	1/2 5/8

DIAGRAM SYMBOL LEGEND	
DISPLAY	DESCRIPTION
---	POWER WIRING
---	CONTROL WIRING
---	REFRIGERANT PIPE

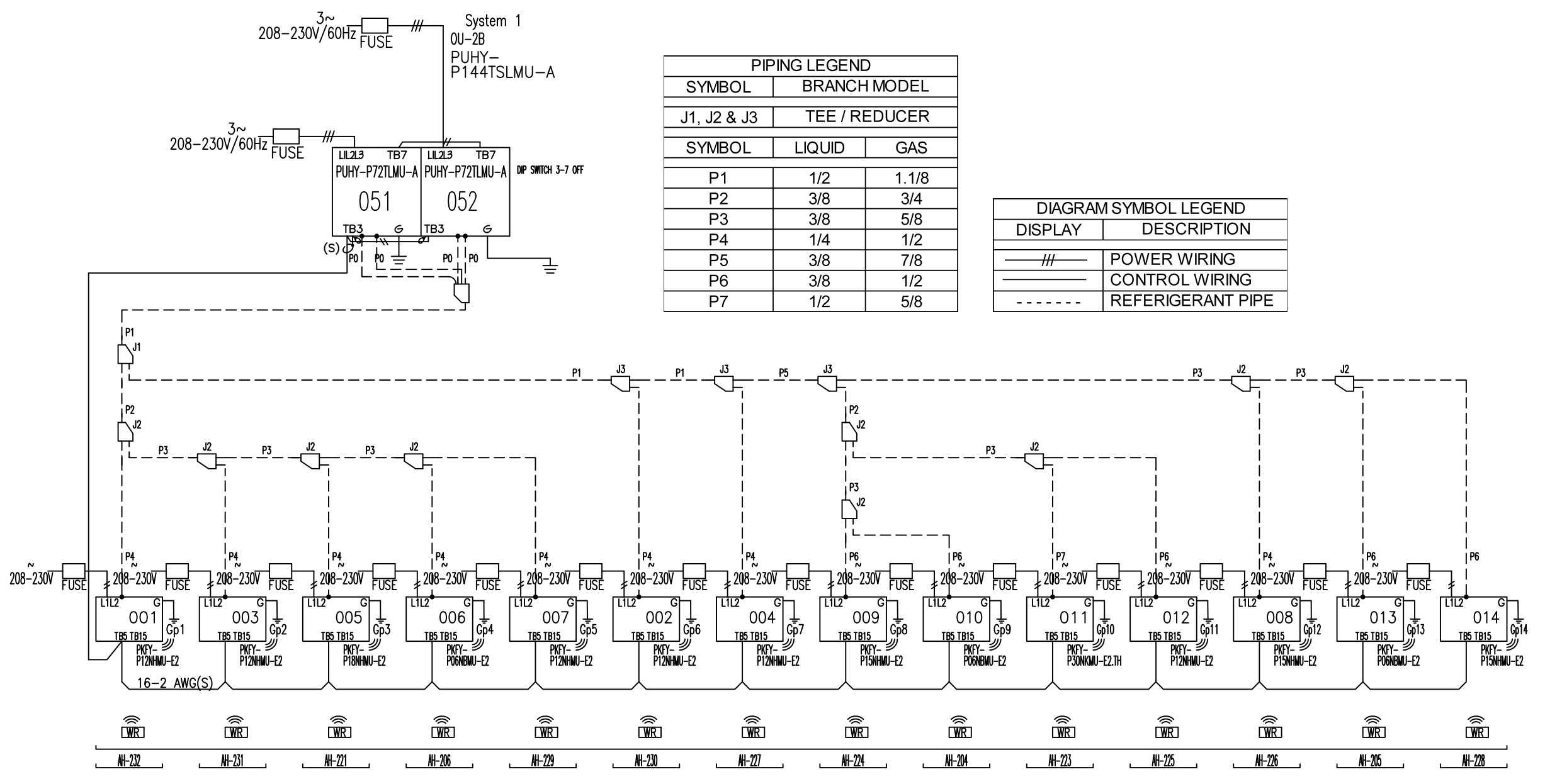


**1 DIAGRAM OF COOLING SYSTEM 1A**  
NO SCALE

PIPING LEGEND	
SYMBOL	BRANCH MODEL
J1, J2 & J3	TEE / REDUCER
SYMBOL LIQUID GAS	
P1	1/2 1.1/8
P2	3/8 5/8
P3	3/8 3/4
P4	1/4 1/2
P5	3/8 7/8
P6	3/8 1/2
P7	1/2 5/8

DIAGRAM SYMBOL LEGEND	
DISPLAY	DESCRIPTION
---	POWER WIRING
---	CONTROL WIRING
---	REFRIGERANT PIPE

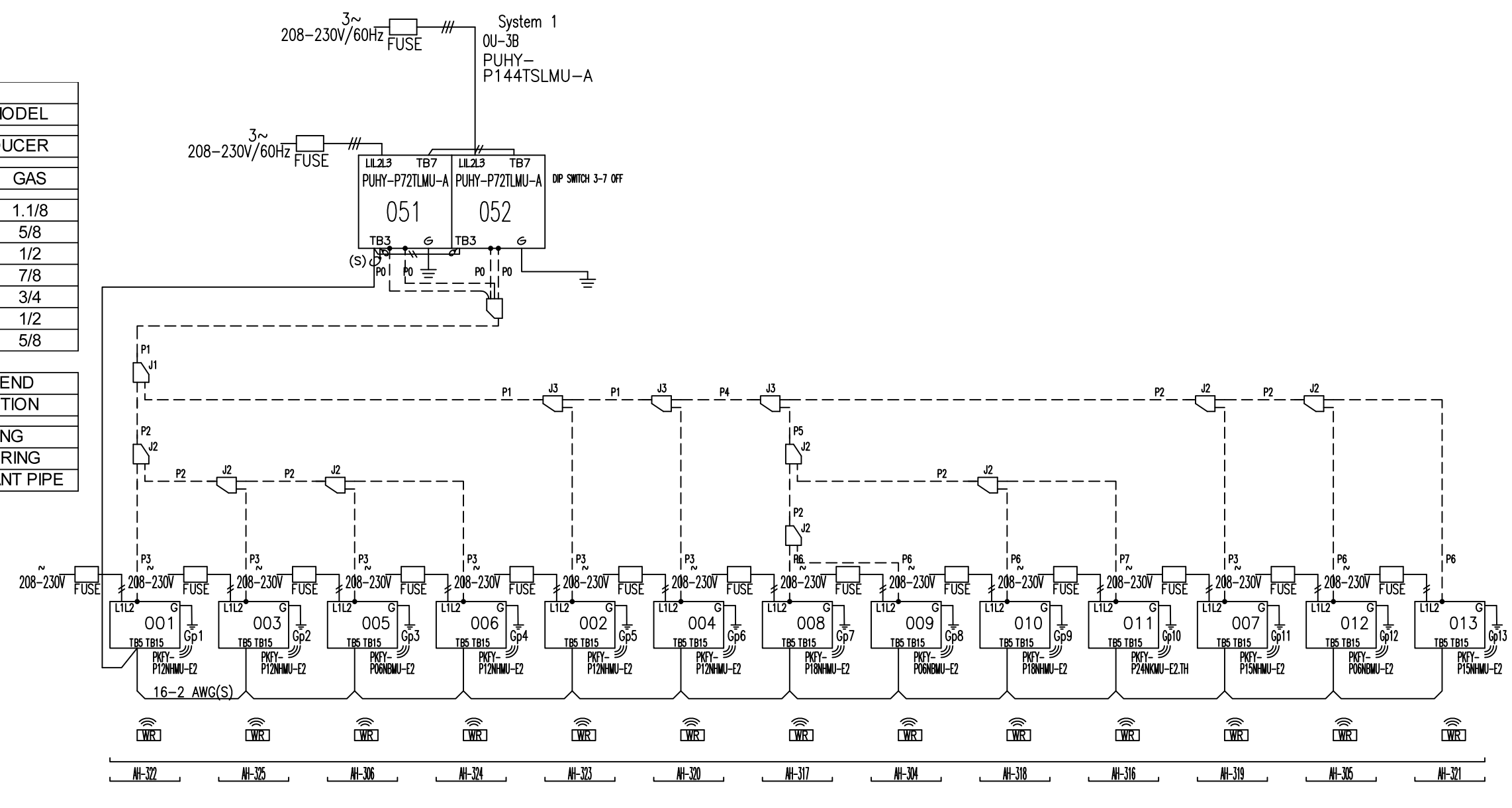


**4 DIAGRAM OF COOLING SYSTEM 2B**  
NO SCALE

PIPING LEGEND	
SYMBOL	BRANCH MODEL
J1, J2 & J3	TEE / REDUCER
SYMBOL LIQUID GAS	
P1	1/2 1.1/8
P2	3/8 5/8
P3	1/4 1/2
P4	3/8 7/8
P5	3/8 1/2
P6	3/8 3/4
P7	1/2 5/8

DIAGRAM SYMBOL LEGEND	
DISPLAY	DESCRIPTION
---	POWER WIRING
---	CONTROL WIRING
---	REFRIGERANT PIPE

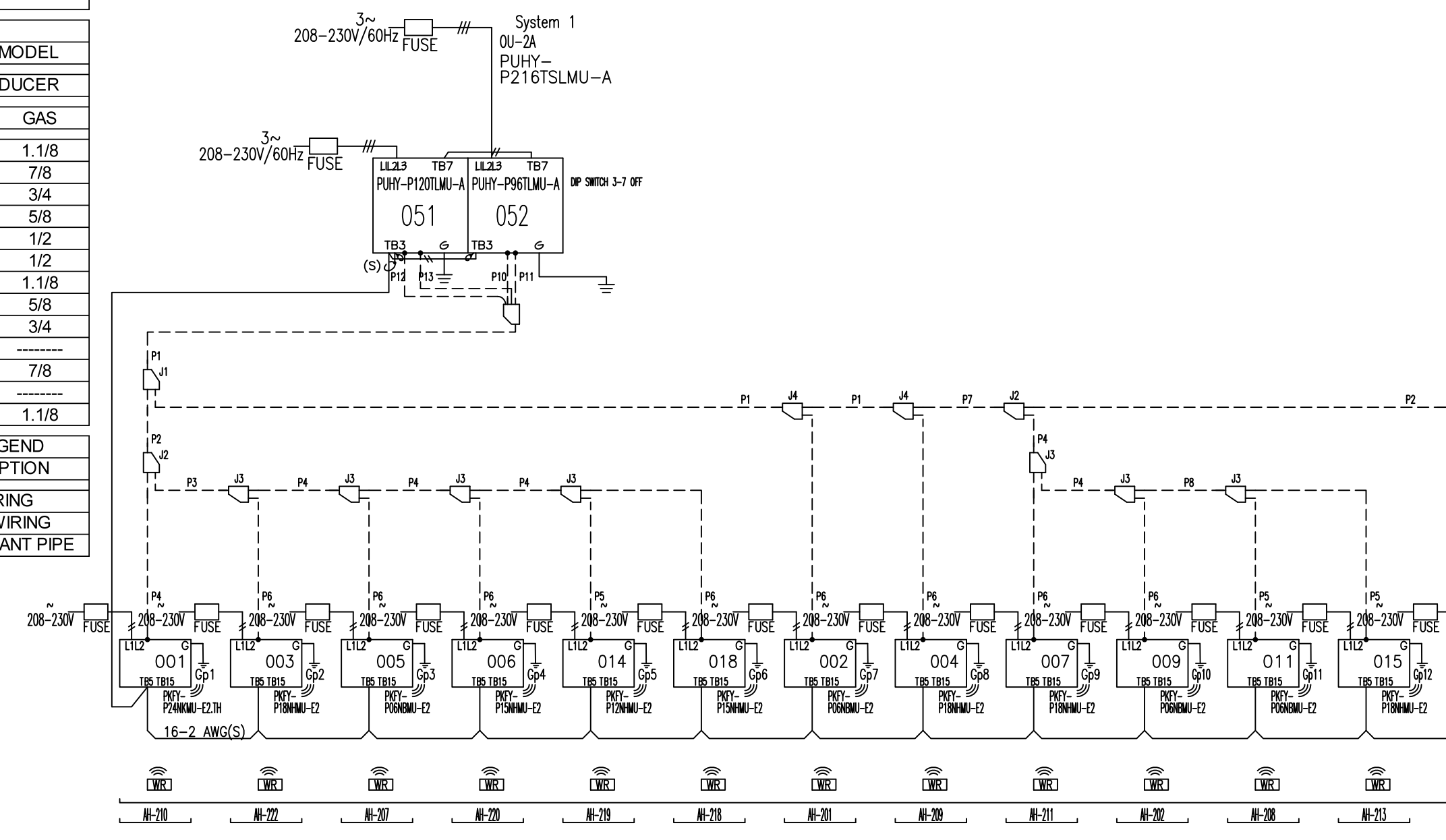


**6 DIAGRAM OF COOLING SYSTEM 3B**  
NO SCALE

SYSTEM 2A	
PIPING LEGEND	
SYMBOL	BRANCH MODEL
J1, J2 & J3	TEE / REDUCER
SYMBOL LIQUID GAS	
P1	5/8 1.1/8
P2	3/8 7/8
P3	3/8 3/4
P4	3/8 5/8
P5	3/8 1/2
P6	1/4 1/2
P7	1/2 1.1/8
P8	1/2 5/8
P9	1/2 3/4
P10	3/8
P11	7/8
P12	1/2
P13	1.1/8

DIAGRAM SYMBOL LEGEND	
DISPLAY	DESCRIPTION
---	POWER WIRING
---	CONTROL WIRING
---	REFRIGERANT PIPE

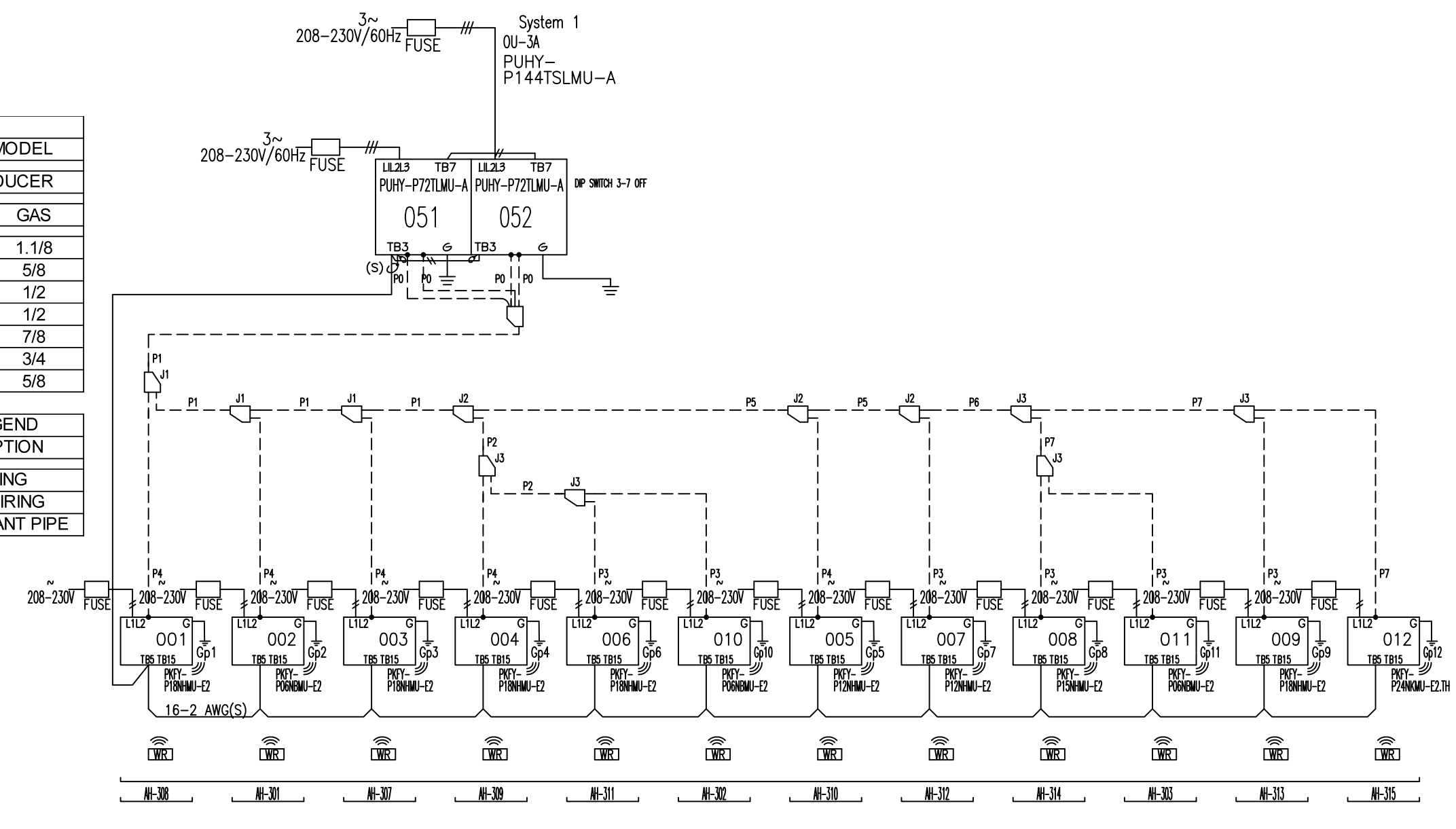


**3 DIAGRAM OF COOLING SYSTEM 2A**  
NO SCALE

PIPING LEGEND	
SYMBOL	BRANCH MODEL
J1, J2 & J3	TEE / REDUCER
SYMBOL LIQUID GAS	
P1	1/2 1.1/8
P2	3/8 5/8
P3	3/8 1/2
P4	3/4 1/2
P5	3/8 7/8
P6	1/2 3/4
P7	1/2 5/8

DIAGRAM SYMBOL LEGEND	
DISPLAY	DESCRIPTION
---	POWER WIRING
---	CONTROL WIRING
---	REFRIGERANT PIPE



**5 DIAGRAM OF COOLING SYSTEM 3A**  
NO SCALE