

Prepared For:  
**MOTHERHOUSE LLC**  
Portland, ME 04103

Consulting Engineer:  
**MECHANICAL SYSTEMS ENGINEERS**  
ROYAL RIVER CENTER, UNIT 108  
10 FOREST FALLS (201) 842-4411  
FACEBOOK: MECHANICAL SYSTEMS ENGINEERS  
© COPYRIGHT 2016

Architect:  
**ARCHETYPE architects**  
48 Union Wharf Portland, Maine 04101  
(207) 773-6022 ARCHETYPE@ARCHETYPEPA.COM

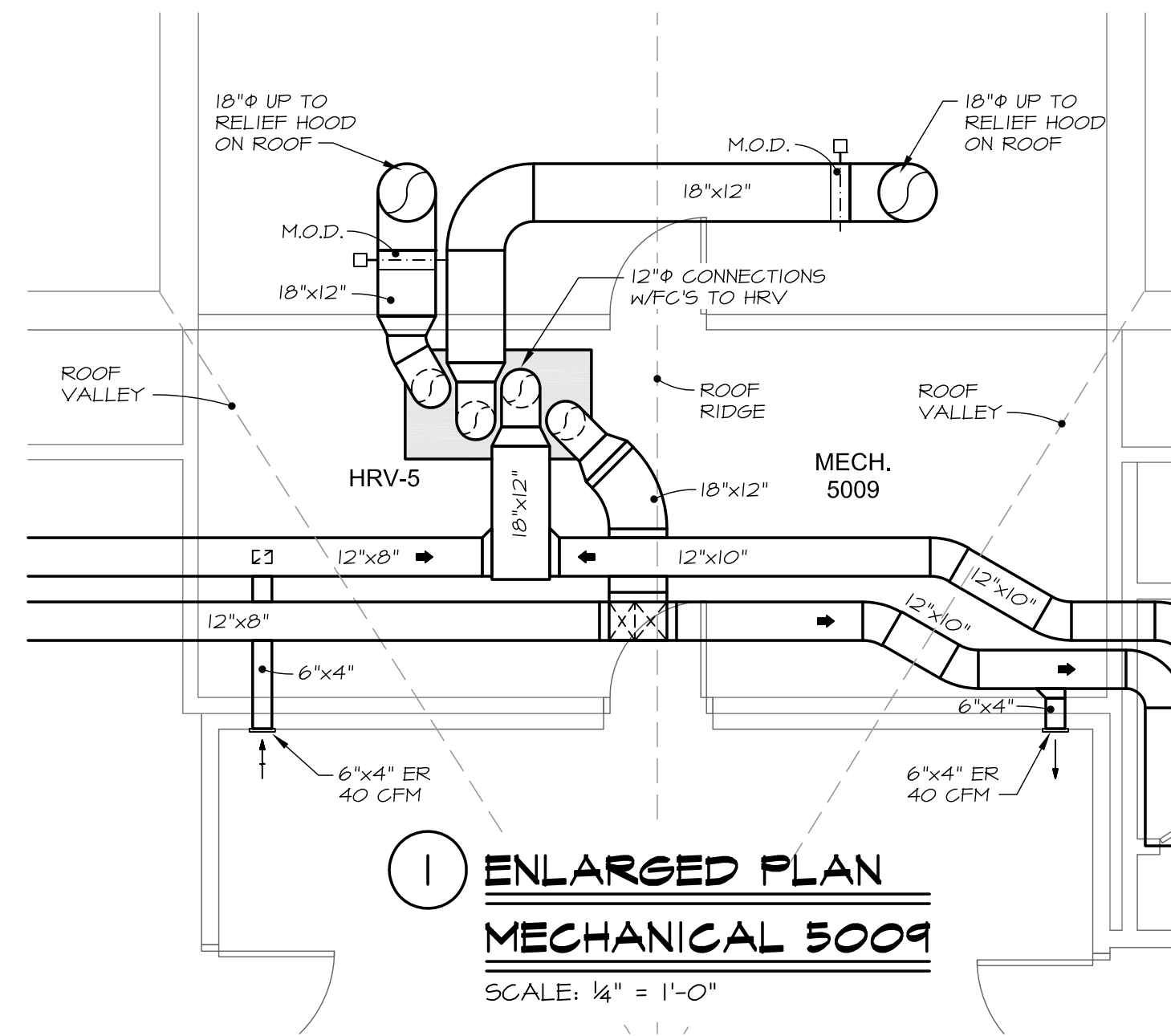
Project:  
**MOTHERHOUSE SENIOR HOUSING**  
PORTLAND, MAINE

Revisions:  
Permit Set: 15 February 2016

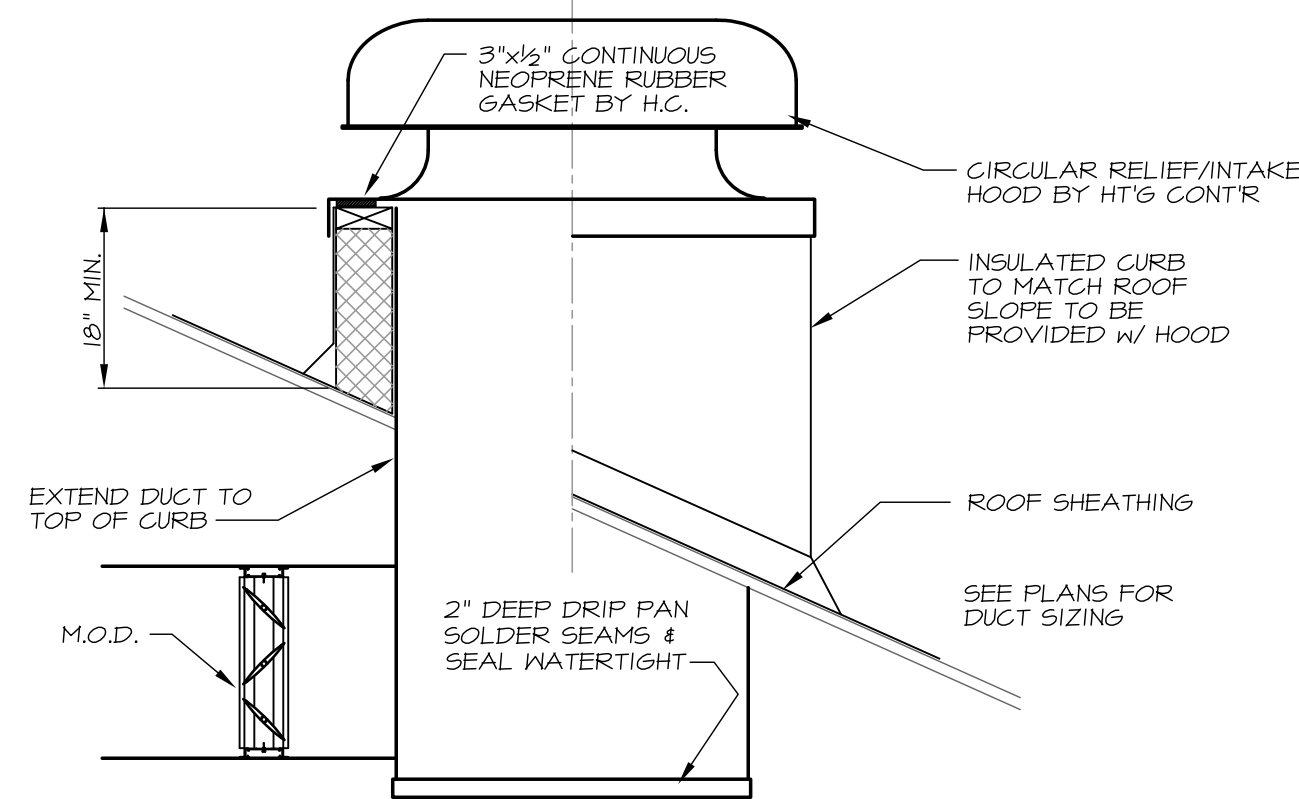
Date:  
15 FEB. 2016

Scale:  
3/32" = 1'-0"

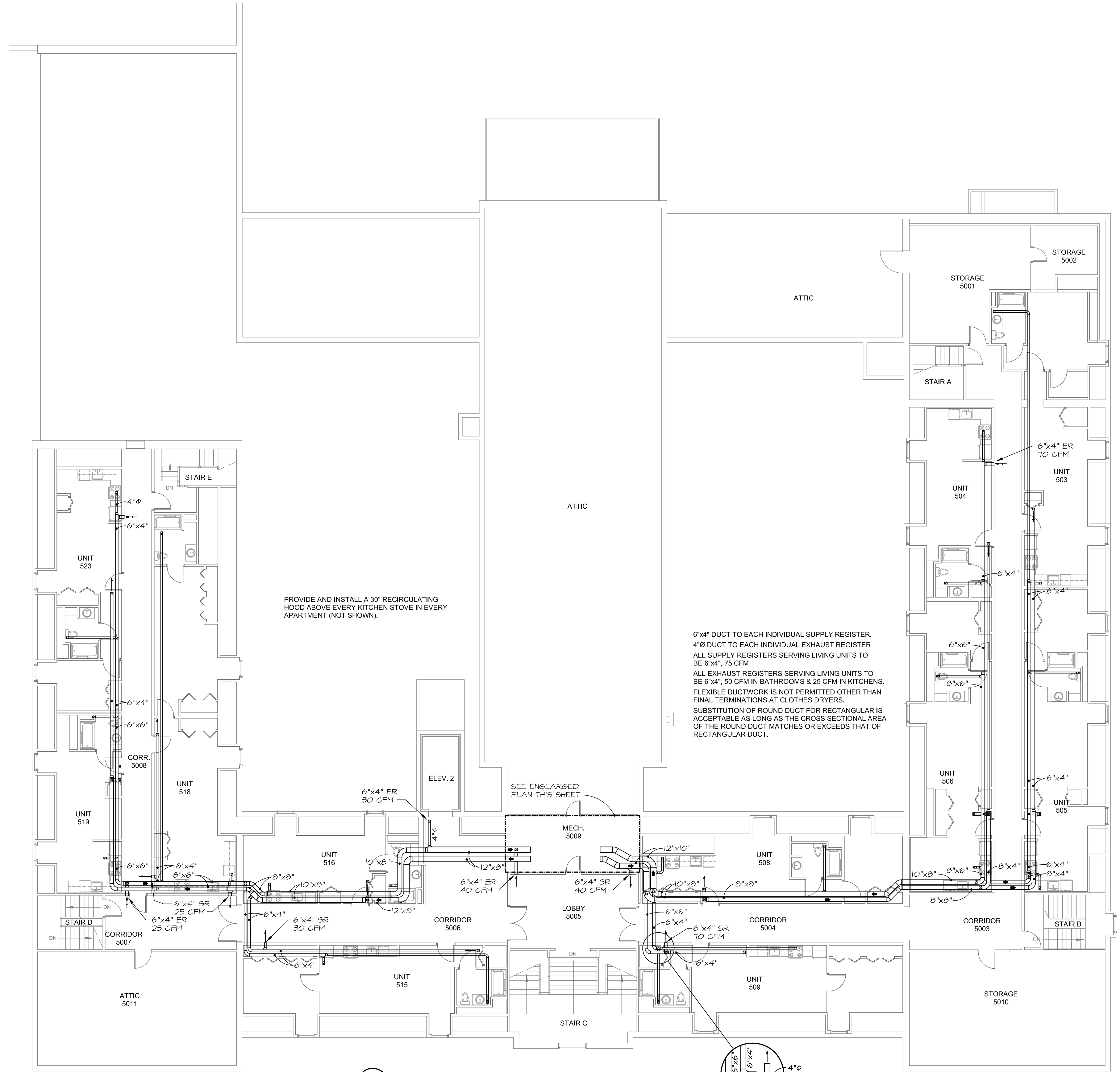
MSE PROJECT 1530



**1 ENLARGED PLAN MECHANICAL 5009**  
SCALE: 1/4" = 1'-0"



**2 RELIEF/INTAKE HOOD**  
NO SCALE



**3 FIFTH FLOOR DUCTWORK PLAN**  
SCALE: 3/32" = 1'-0"

