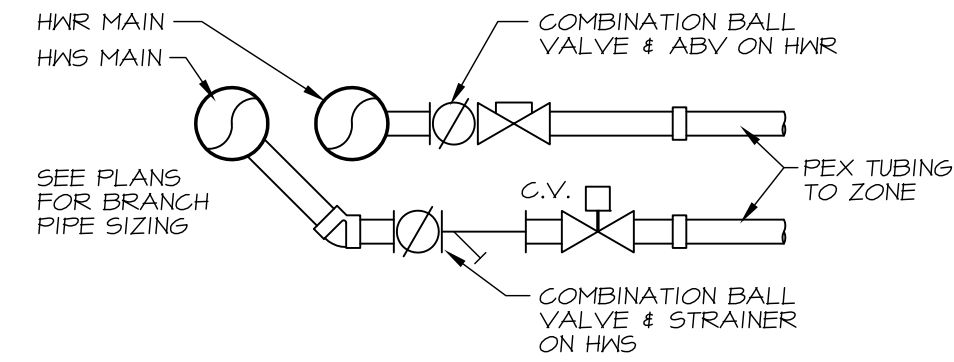
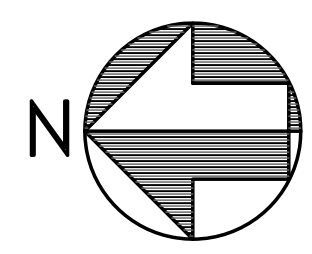
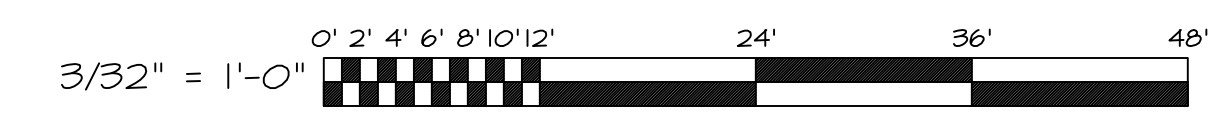
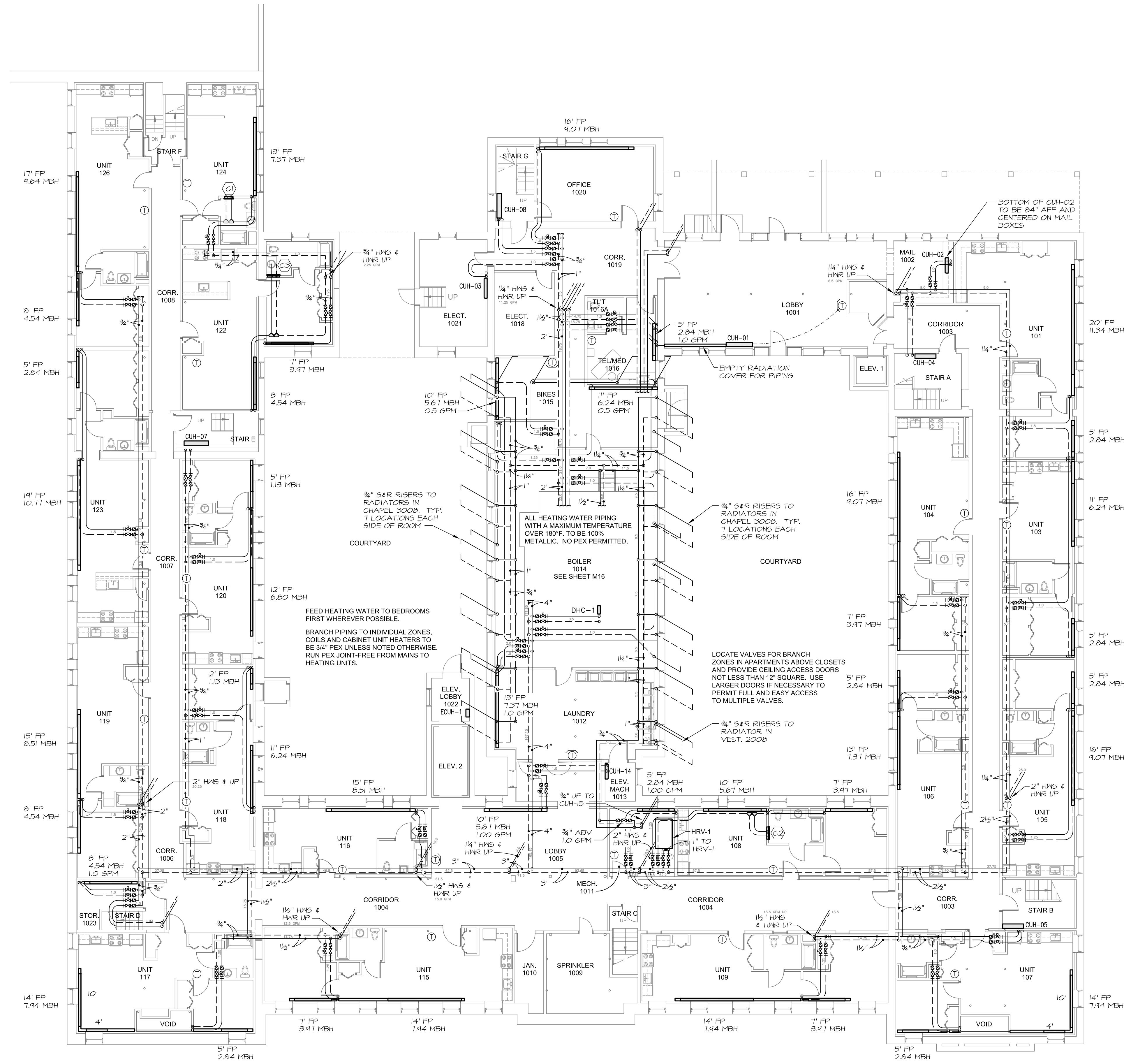


APARTMENT WATER FLOW		
UNIT	MBH	GPM
101	14.18	1.50
103	9.07	1.00
104	13.04	1.50
105	11.91	1.25
106	10.21	1.00
107	10.77	1.00
108	11.64	1.25
109	11.91	1.25
115	11.91	1.25
116	8.51	1.00
117	10.77	1.00
118	7.37	1.00
119	13.04	1.50
120	9.64	1.00
122	10.94	1.00
123	13.61	1.50
124	8.30	1.00
126	14.18	1.50



1 BRANCH PIPING
 CONNECTION AT MAINS
 NO SCALE



STATE OF MAINE
 Kurt F. Magnusson
 10257
 REGISTERED PROFESSIONAL ENGINEER

MOTHERHOUSE LLC
 Portland, ME 04103

Prepared For:

Consulting Engineer:

ARCHETYPE architects
 48 Union Wharf Portland, Maine 04101
 (207) 773-6022 ARCHETYPE@ARCHETYPEPA.COM

MOTHERHOUSE SENIOR HOUSING
 PORTLAND, MAINE

Revisions:
 Permit Set: 15 February 2016

Date:
 15 FEB. 2016

Scale:
 3/32" = 1'-0"

FIRST FLOOR MECHANICAL PIPING

M1
 MSE PROJECT 1530