

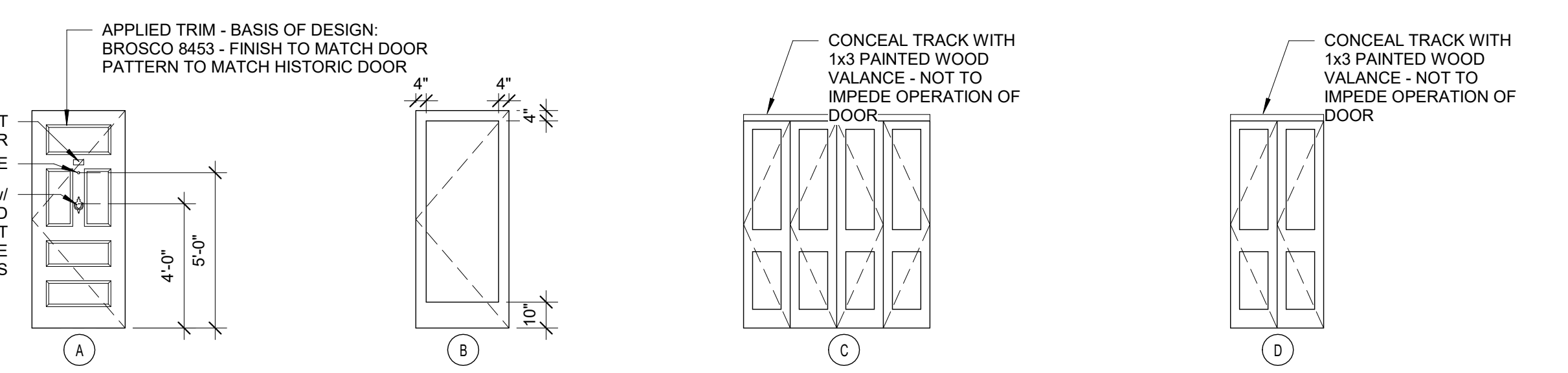
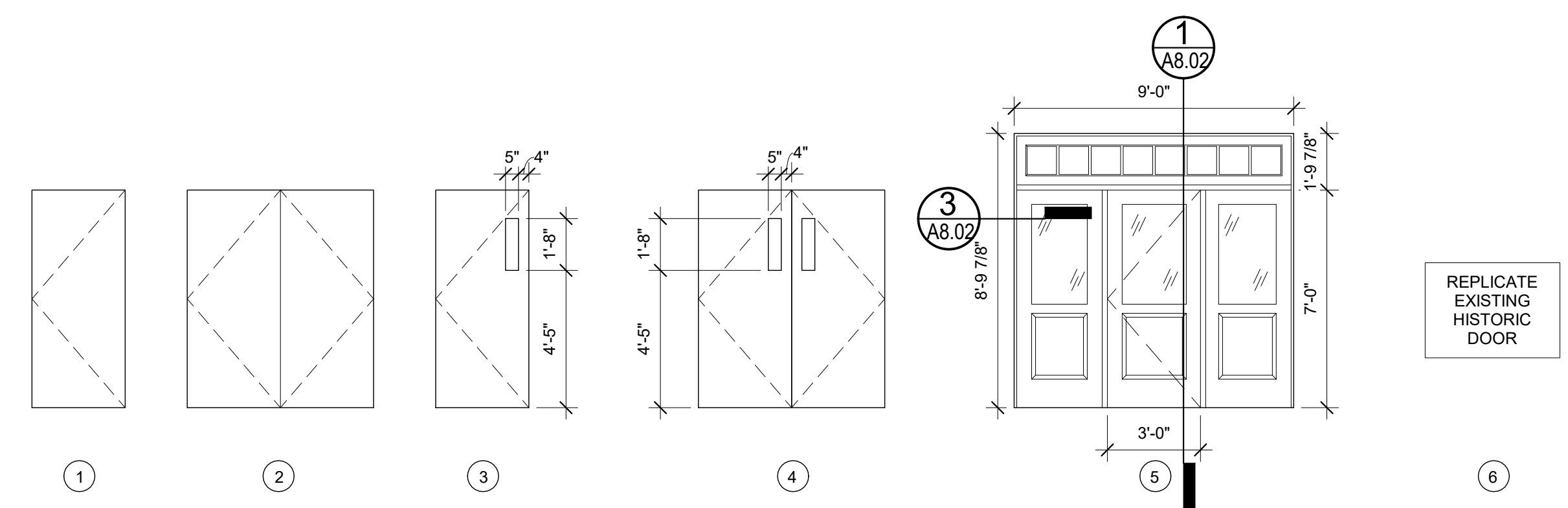
DOOR No.	SIZE			DOOR				FRAME		LABEL	REMARKS
	WIDTH	HEIGHT	THICKNES S	TYPE	MATERIAL	FINISH	THRESH	MATERIAL	Finish		
U1	3'-0"	7'-0"	1 3/4"	A	BIRCH VENEER	CLEAR COAT	ALUM	HM	PTD	20 MIN.	SMOKESEAL & CLOSER, MORTISED BOTTOM SWEEP, ENTRY FUNCTION
U2	3'-0"	6'-8"	1 3/8"	B	S.C. MOLDED	PTD		WOOD	PTD		PRIVACY FUNCTION
U5	2'-0"	6'-8"	1 3/8"	B	S.C. MOLDED	PTD		WOOD	PTD		PASSAGE FUNCTION
U6	4'-0"	7'-0"	1 3/8"	C	S.C. MOLDED	PTD		WOOD	PTD		DOUBLE BIFOLD
U7	6'-0"	6'-8"	1 3/8"	C	S.C. MOLDED	PTD		WOOD	PTD		DOUBLE BIFOLD
U8	5'-0"	6'-8"	1 3/8"	C	S.C. MOLDED	PTD		WOOD	PTD		DOUBLE BIFOLD
U9	4'-0"	6'-8"	1 3/8"	C	S.C. MOLDED	PTD		WOOD	PTD		DOUBLE BIFOLD
U10	3'-0"	6'-8"	1 3/8"	D	S.C. MOLDED	PTD		WOOD	PTD		BIFOLD
U11	2'-6"	6'-8"	1 3/8"	D	S.C. MOLDED	PTD		WOOD	PTD		BIFOLD
U12	2'-0"	6'-8"	1 3/8"	D	S.C. MOLDED	PTD		WOOD	PTD		BIFOLD
U13	3'-0"	7'-0"	1 3/4"	EXISTING	EXISTING	EXISTING		EXISTING	EXISTING		PRIVACY FUNCTION
U14	3'-0"	7'-0"	1 3/4"	EXISTING	EXISTING	EXISTING		EXISTING	EXISTING		EXISTING HARDWARE TO REMAIN

PUBLIC AREA DOORS

UNIT DOORS

1 | LEAF TYPES

1/4" = 1'-0"



FUNCTION ABBREVIATIONS	
ENTR	ENTRY
EXIT	EXIT
OFCE	OFFICE
PASS	PASSAGE
PVCY	PRIVACY
STOR	STORAGE

NOTES

1. ALL RATED DOORS TO HAVE CLOSERS, SMOKE SEALS AND DOOR SWEEPS
2. ALL EXISTING DOORS TO BE REFINISHED
3. ALL DOORS TO BE PAINT-GRADE, UNO
4. ALL DOOR SWEEPS TO BE CENTER-MORTISED
5. ALL NEW OR EXISTING EXTERIOR DOORS TO HAVE NEW WEATHERSTRIPPING

DOOR SCHEDULE

DOOR No.	LOCATION	DOOR					FRAME			LABEL	OPER.	SWEEP	CL.	REMARKS	
		W	H	THCK	TYPE	MATL	FINISH	THRESHOL D	MATL						FINISH
FIRST FLOOR															
101	SPRK	2'-6"	7'-0"	1 3/4"	1	HM	PTD	ALUM	EXG	PTD	20 MIN.	STOR	Yes	Yes	PROVIDE SMOKE SEALS
102	JAN.	3'-0"	7'-0"	1 3/4"	1	HM	PTD	ALUM	HM	PTD	20 MIN.	STOR	Yes	Yes	PROVIDE SMOKE SEALS
103	STAIR C	3'-0"	7'-0"	1 3/4"	3	HM	PTD	ALUM	HM	PTD	90 MIN.	PASS	Yes	Yes	PROVIDE SMOKE SEALS
104	ERV	3'-0"	7'-0"	1 3/4"	1	HM	PTD	ALUM	HM	PTD	20 MIN.	STOR	Yes	Yes	PROVIDE SMOKE SEALS
105	LAUNDRY	3'-0"	7'-0"	1 3/4"	1	HM	PTD	ALUM	HM	PTD	45 MIN.	PASS	Yes	Yes	PROVIDE MAGNETIC HOLD OPEN AND SMOKE SEALS
106	ELEV. MACH. RM	3'-0"	7'-0"	1 3/4"	1	HM	PTD	ALUM	HM	PTD	90 MIN.	STOR	Yes	Yes	PROVIDE SMOKE SEALS
107	MECHANICAL	3'-0"	7'-0"	1 3/4"	1	HM	PTD	ALUM	HM	PTD	45 MIN.	STOR	Yes	Yes	PROVIDE SMOKE SEALS
108	STAIR F	3'-0"	7'-0"	1 3/4"	3	HM	PTD	ALUM	HM	PTD	90 MIN.	COMM	Yes	Yes	PROVIDE SMOKE SEALS
109	STAIR D	3'-0"	7'-0"	1 3/4"	3	HM	PTD	ALUM	HM	PTD	90 MIN.	PASS	Yes	Yes	PROVIDE SMOKE SEALS
110	STAIR E	3'-0"	7'-0"	1 3/4"	3	HM	PTD	ALUM	HM	PTD	90 MIN.	PASS	Yes	Yes	PROVIDE SMOKE SEALS
111	STAIR F	3'-0"	7'-0"	1 3/4"	3	HM	PTD	ALUM	HM	PTD	90 MIN.	PASS	Yes	Yes	PROVIDE SMOKE SEALS
112	ELEC. METERS	3'-0"	7'-0"	1 3/4"	EXIST							STOR	Yes	Yes	PROVIDE WEATHERSTRIPPING
113	ELEC. METERS	2'-6"	7'-0"	1 3/4"	EXIST						20 MIN (E)	STOR	Yes	Yes	PROVIDE SMOKE SEALS
114	STAIR G	3'-0"	7'-0"	1 3/4"	EXIST						45 MIN (E)	PASS	Yes	Yes	PROVIDE SMOKE SEALS
115	ELEC.	3'-0"	7'-0"	1 3/4"	1	HM	PTD	ALUM	HM	PTD	45 MIN.	STOR	Yes	Yes	PROVIDE SMOKE SEALS
117	COMMUNITY	3'-0"	7'-0"	1 3/4"	EXIST							STOR	Yes	Yes	PROVIDE WEATHERSTRIPPING
118	ELEV. MACH.	3'-0"	7'-0"	1 3/4"	1	HM	PTD	ALUM	HM	PTD	90 MIN.	STOR	Yes	Yes	PROVIDE SMOKE SEALS
119	LOBBY	3'-0"	7'-0"	1 3/4"	1	HM	PTD	ALUM	EXG	PTD	-	ENTR	Yes	Yes	PROVIDE WEATHERSTRIPPING
120	STAIR E	3'-0"	7'-0"	1 3/4"	3	HM	PTD	ALUM	HM	PTD	-	EXIT	Yes	Yes	PROVIDE WEATHERSTRIPPING
121	LOBBY	3'-0"	7'-0"	1 3/4"	5	WD	CLEAR COAT	ALUM	WD	PTD	-	ENTR	Yes	Yes	PROVIDE WEATHERSTRIPPING WOOD AND GLASS DOOR AND SIDELIGHTS
122	CORR.	3'-0"	7'-0"	1 3/4"	1	HM	PTD	ALUM	HM	PTD	90 MIN.	PASS	Yes	Yes	PROVIDE SMOKE SEALS
123	STAIR A	3'-0"	7'-0"	1 3/4"	3	HM	PTD	ALUM	HM	PTD	90 MIN.	PASS	Yes	Yes	PROVIDE SMOKE SEALS
124	STAIR B	3'-0"	7'-0"	1 3/4"	3	HM	PTD	ALUM		PTD	90 MIN.	PASS	Yes	Yes	PROVIDE SMOKE SEALS
125	LOBBY	3'-0"	7'-0"	1 3/4"	EXIST						-	-			PROVIDE BRONZE HOOK & EYE TO HOLD DOORS OPEN
126	BIKES	3'-0"	7'-0"	1 3/4"	1	HM	PTD	ALUM	HM	PTD	20 MIN	STOR	Yes	Yes	PROVIDE SMOKE SEALS
127	TELEMED	3'-0"	7'-0"	1 3/4"	1	HM	PTD	ALUM	HM	PTD	20 MIN	OFCE	Yes	Yes	PROVIDE SMOKE SEALS
128	TOILET	3'-0"	7'-0"	1 3/4"	1	SCWD	PTD	ALUM	WD	PTD	-	PRIV			
129	LOBBY	3'-0"	7'-0"	1 3/4"	EXIST						-	ENTR			
130	MECHANICAL	2'-8"	7'-0"	1 3/4"	EXISTING						45 MIN (E)	STOR	Yes	Yes	
134	OFFICE	3'-0"	7'-0"	1 3/4"	3	HM	PTD	ALUM	HM	PTD	20 MIN	OFCE	Yes	Yes	PROVIDE SMOKE SEALS
136	TOILET	3'-0"	7'-0"	1 3/4"	1	HM	PTD	ALUM	HM	PTD	20 MIN	PRIV	Yes	Yes	PROVIDE SMOKE SEALS
137	WOMEN'S BATHROOM	3'-0"	7'-0"	1 3/4"	1	HM	PTD	ALUM	HM	PTD	-	PRIV			Yes
138	MEN'S BATHROOM	3'-0"	7'-0"	1 3/4"	1	HM	PTD	ALUM	HM	PTD	-	PRIV			Yes
SECOND FLOOR															
201	STAIR F	3'-0"	7'-0"	1 3/4"	3	HM	PTD	ALUM	HM	PTD	90 MIN.	PASS	Yes	Yes	PROVIDE SMOKE SEALS
202	STAIR E	3'-0"	7'-0"	1 3/4"	3	HM	PTD	ALUM	HM	PTD	90 MIN.	PASS	Yes	Yes	PROVIDE SMOKE SEALS
203	STAIR D	3'-0"	7'-0"	1 3/4"	3	HM	PTD	ALUM	HM	PTD	90 MIN.	PASS	Yes	Yes	PROVIDE SMOKE SEALS
204	CORR.	6'-0"	7'-0"	1 3/4"	EXIST						-	-			PROVIDE BRONZE HOOK & EYE TO HOLD DOORS OPEN
205	ERV	3'-0"	7'-0"	1 3/4"	1	HM	PTD	ALUM	HM	PTD	20 MIN.	STOR	Yes	Yes	PROVIDE SMOKE SEALS
206	LOBBY	6'-0"	7'-0"	1 3/4"	4	HM	PTD	ALUM	HM	PTD	90 MIN.	PASS	Yes	Yes	PROVIDE MAGNETIC HOLD OPEN AND SMOKE SEALS
207	LOBBY	6'-0"	7'-0"	1 3/4"	4	HM	PTD	ALUM	HM	PTD	90 MIN.	PASS	Yes	Yes	PROVIDE MAGNETIC HOLD OPEN AND SMOKE SEALS
208	ERV	3'-0"	7'-0"	1 3/4"	1	HM	PTD	ALUM	HM	PTD	90 MIN.	STOR	Yes	Yes	PROVIDE SMOKE SEALS
209	LOBBY	7'-0"	7'-0"	1 3/4"	EXIST						-	-			PROVIDE BRONZE HOOK & EYE TO HOLD DOORS OPEN
210	CORR.	3'-0"	7'-0"	1 3/4"	3	HM	PTD	ALUM	HM	PTD	90 MIN.	PASS	Yes	Yes	PROVIDE MAGNETIC HOLD OPEN AND SMOKE SEALS
211	STAIR F	5'-0"	7'-0"	1 3/4"	4	HM	PTD	ALUM	HM	PTD	90 MIN.	DOUBLE CYLINDER	Yes	Yes	PROVIDE SMOKE SEALS. DOUBLE CYLINDER LOCK - LOCKED ON BOTH SIDES
212	LOBBY	4'-0"	7'-0"	1 3/4"	EXIST						-	STOR			
213	CORR.	6'-0"	7'-0"	1 3/4"	EXIST						-	-			PROVIDE BRONZE HOOK & EYE TO HOLD DOORS OPEN
214	CABINETS	3'-0"	7'-0"	1 3/4"	EXIST						-	STOR			
215	STAIR B	3'-0"	7'-0"	1 3/4"	3	HM	PTD	ALUM	HM	PTD	90 MIN.	PASS	Yes	Yes	PROVIDE SMOKE SEALS
216	CORR.	6'-0"	7'-0"	1 3/4"	EXIST						-	-			PROVIDE BRONZE HOOK & EYE TO HOLD DOORS OPEN
217	CORR.	6'-0"	7'-0"	1 3/4"	EXIST						-	-			PROVIDE BRONZE HOOK & EYE TO HOLD DOORS OPEN
218	STAIR A	3'-0"	7'-0"	1 3/4"	3	HM	PTD	ALUM	HM	PTD	90 MIN.	PASS	Yes	Yes	PROVIDE SMOKE SEALS
219	CORR.	3'-0"	7'-0"	1 3/4"	EXIST						-	COMM	Yes	Yes	PROVIDE WEATHERSTRIPPING, INSTALL NEW INSULATED GLAZING & STOPS AND REMOVE PIN LOCKS. REMOVE TRANSOM STORM PANEL AND PROVIDE NEW STORM DOOR & TRANSOM PANEL SAND AND PAINT
220	CORR.	5'-0"	7'-0"	1 3/4"	EXIST						-	-			PROVIDE BRONZE HOOK & EYE TO HOLD DOORS OPEN
221	STAIR G	3'-0"	7'-0"	1 3/4"	3	HM	PTD	ALUM	HM	PTD	45 MIN.	PASS	Yes	Yes	PROVIDE SMOKE SEALS
222	STAIR D	3'-0"	7'-0"	1 3/4"	EXIST						-	EXIT			PROVIDE WEATHERSTRIPPING
223	LOBBY	6'-0"	7'-0"	1 3/4"	2						-	EXIT			PROVIDE WEATHERSTRIPPING
225	STAIR G	3'-0"	7'-0"	1 3/4"	6						-	EXIT	Yes	Yes	REPLICATE EXISTING DOOR, PROVIDE WEATHERSTRIPPING
226	STAIR B	3'-0"	7'-0"	1 3/4"	6						-	EXIT	Yes	Yes	REPLICATE EXISTING DOOR, PROVIDE WEATHERSTRIPPING
THIRD FLOOR															
301	STAIR F	3'-0"	7'-0"	1 3/4"	3	HM	PTD	ALUM	HM	PTD	90 MIN.	PASS	Yes	Yes	PROVIDE SMOKE SEALS
303	STAIR E	3'-0"	7'-0"	1 3/4"	3	HM	PTD	ALUM	HM	PTD	90 MIN.	PASS	Yes	Yes	PROVIDE SMOKE SEALS
304	STAIR D	3'-0"	7'-0"	1 3/4"	3	HM	PTD	ALUM	HM	PTD	90 MIN.	PASS	Yes	Yes	PROVIDE SMOKE SEALS
306	ERV	2'-6"	7'-0"	1 3/4"	1	HM	PTD	ALUM	HM	PTD	20 MIN.	STOR	Yes	Yes	PROVIDE SMOKE SEALS
307	LOBBY	6'-0"	7'-0"	1 3/4"	4	HM	PTD	ALUM	HM	PTD	90 MIN.	PASS	Yes	Yes	PROVIDE MAGNETIC HOLD OPEN AND SMOKE SEALS
309	LOBBY	6'-0"	7'-0"	1 3/4"	4	HM	PTD	ALUM	HM	PTD	90 MIN.	PASS	Yes	Yes	PROVIDE MAGNETIC HOLD OPEN AND SMOKE SEALS
310	VEST.	6'-0"	7'-0"	1 3/4"	2	HM	PTD	ALUM	HM	PTD	90 MIN.	PASS	Yes	Yes	PROVIDE MAGNETIC HOLD OPEN AND SMOKE SEALS
311	ERV	2'-6"	7'-0"	1 3/4"	1	HM	PTD	ALUM	HM	PTD	20 MIN.	STOR	Yes	Yes	PROVIDE SMOKE SEALS
312	CORR.	6'-0"	7'-0"	1 3/4"	EXIST						-	-			PROVIDE BRONZE HOOK & EYE TO HOLD DOORS OPEN
313	STAIR B	6'-0"	7'-0"	1 3/4"	4	HM	PTD	ALUM	HM	PTD	90 MIN.	PASS	Yes	Yes	PROVIDE SMOKE SEALS
315	STAIR A	3'-0"	7'-0"	1 3/4"	3	HM	PTD	ALUM	HM	PTD	90 MIN.	PASS	Yes	Yes	PROVIDE SMOKE SEALS
316	COMMON POR														