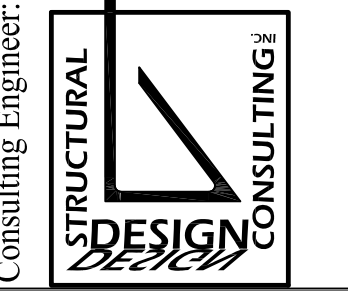


Prepared For:  
**MOTHERHOUSE, LLC**

2696 Lake Shore Road  
Orono, ME 04473  
Tel 603.293.8038



Architect:  
**ARCHETYPE architects**  
48 Union Wharf Portland, Maine 04101  
(207) 772-6022 Fax (207) 772-4056

Project:  
**MOTERHOUSE SENIOR HOUSING**  
650 Stevens Avenue  
Portland, Maine

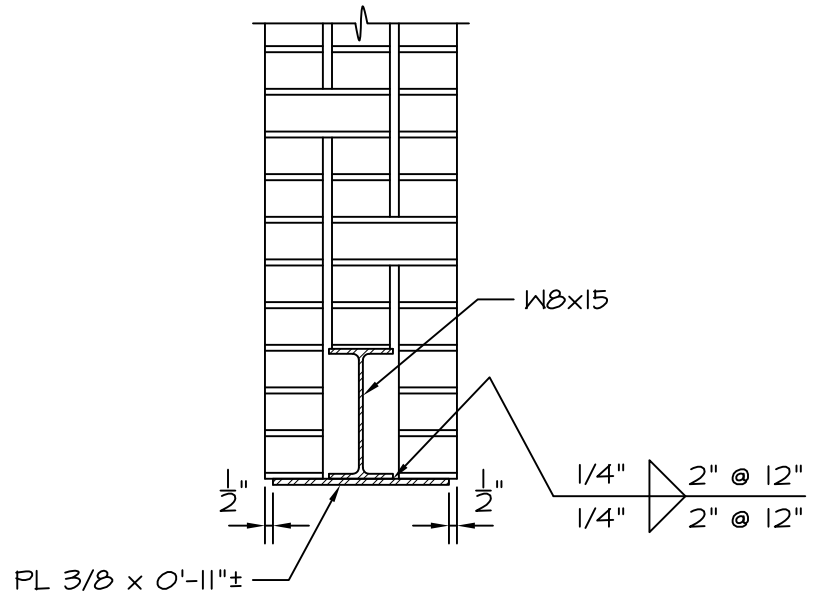
Revisions:


Date: 15 Feb 2016  
Scale: As Noted

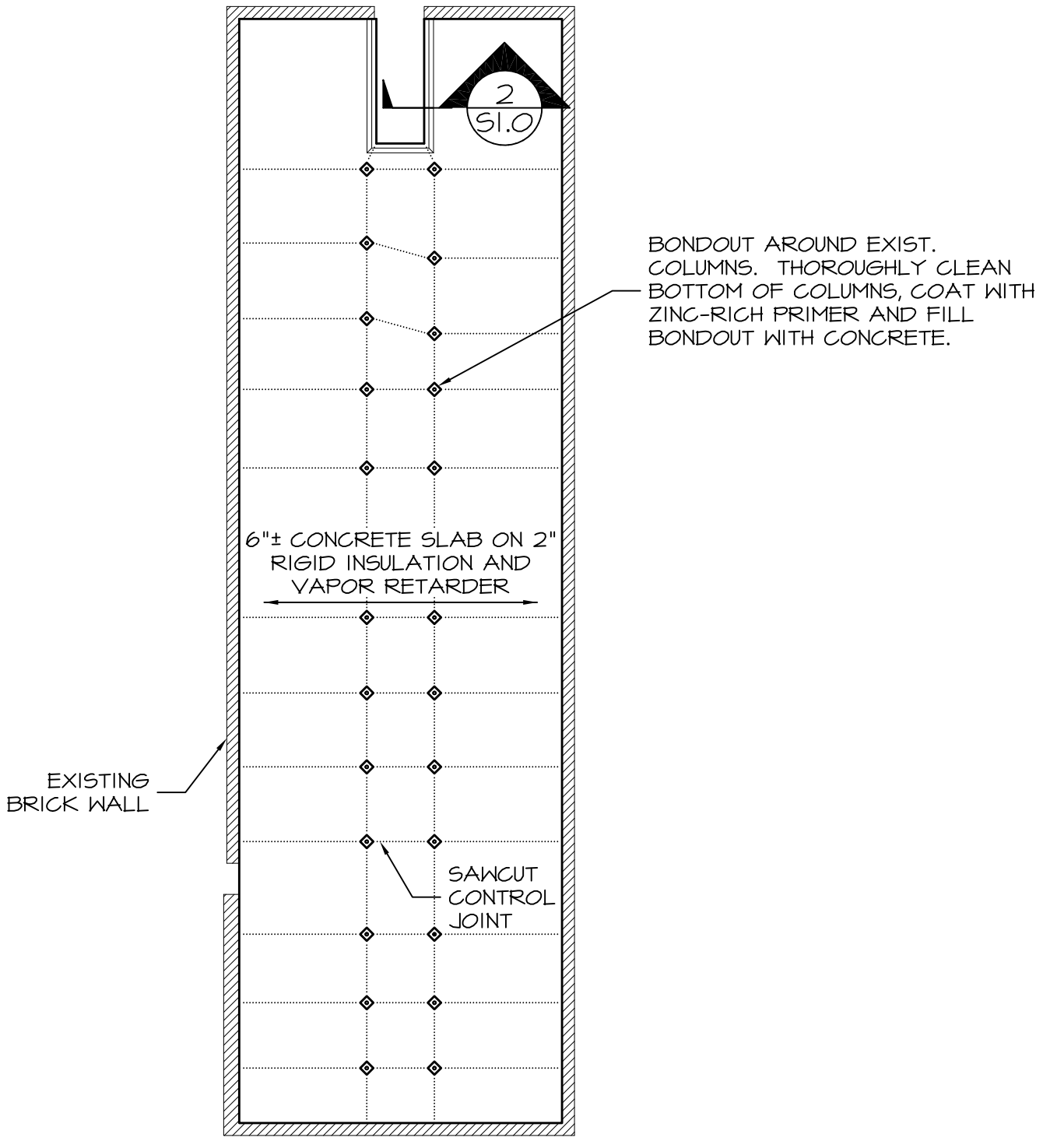
**STRUCTURAL DETAILS**  
**S1.0**

LOOSE LINTEL SCHEDULE	
ROUGH OPENING	LINTEL SIZE
UP TO 3'-0"	L 3 1/2x3 1/2x5/16
>3'-0" TO 4'-6"	L 4x3 1/2x5/16 LLV
>4'-6" TO 6'-0"	L 5x3 1/2x5/16 LLV

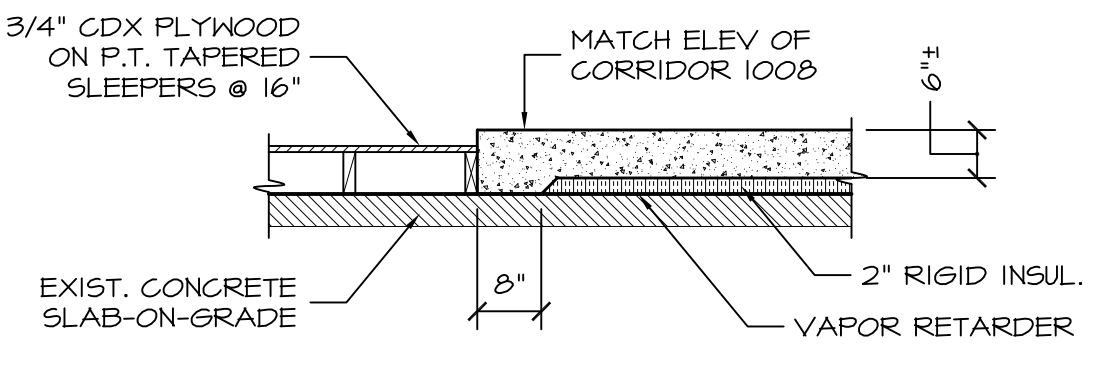
INSTALL ONE STEEL ANGLE LINTEL FOR EACH 4" OF WALL THICKNESS.  
PROVIDE 6" BEARING AT EACH END.



**SECTION 1**  
1"=1'-0" AI-02  
WIDE FLANGE BEAM ASTM A-992.  
PLATE ASTM A-36.  
PROVIDE 6" BEARING AT BOTH ENDS.  
INSTALL TEMPORARY SUPPORT FOR BRICK WALL AS REQUIRED PRIOR TO CUTTING OPENING.



**PARTIAL FIRST FLOOR SLAB PLAN**  
1/16"=1'-0"  
SEE A1.01 FOR LOCATION AND RAMP CUTOUT DIMENSIONS.  
VAPOR RETARDER IS GRIFFOLYN TYPE 65 @ MANUFACTURED BY REEF INDUSTRIES.  
CONCRETE SLAB MIX PROPORTIONS:  
28 DAY COMPRESSIVE STRENGTH 3,000 PSI  
MAX. LARGE AGGREGATE SIZE 3/4"  
MAX. W/C RATIO 0.48  
SLUMP 3"-4"  
WATER-REDUCING ADMIXTURE ASTM C494, TYPE A  
FIBER REINFORCING ASTM C1116, TYPE III VIRGIN POLYPROPYLENE FIBERS 1 1/2 LBS. PER CU. YD.



**SECTION 2**  
1/2"=1'-0" S1.0