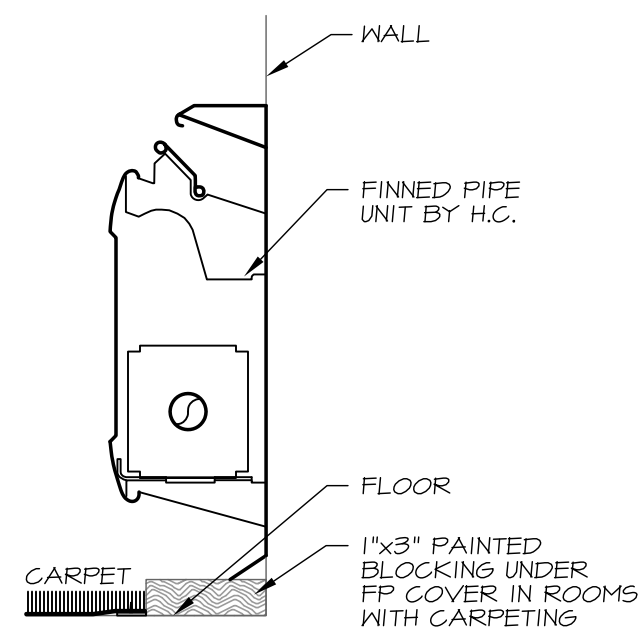
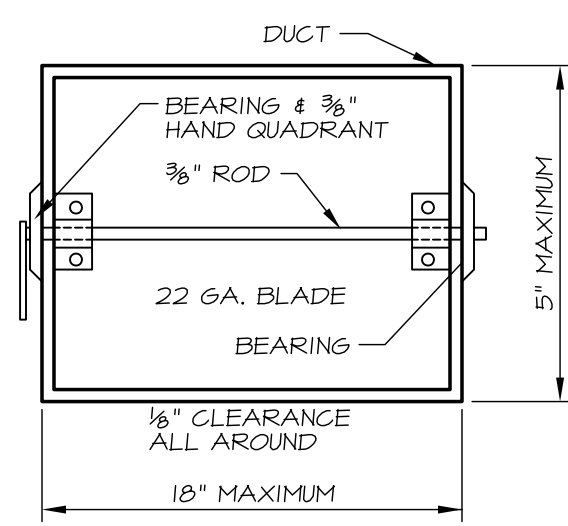


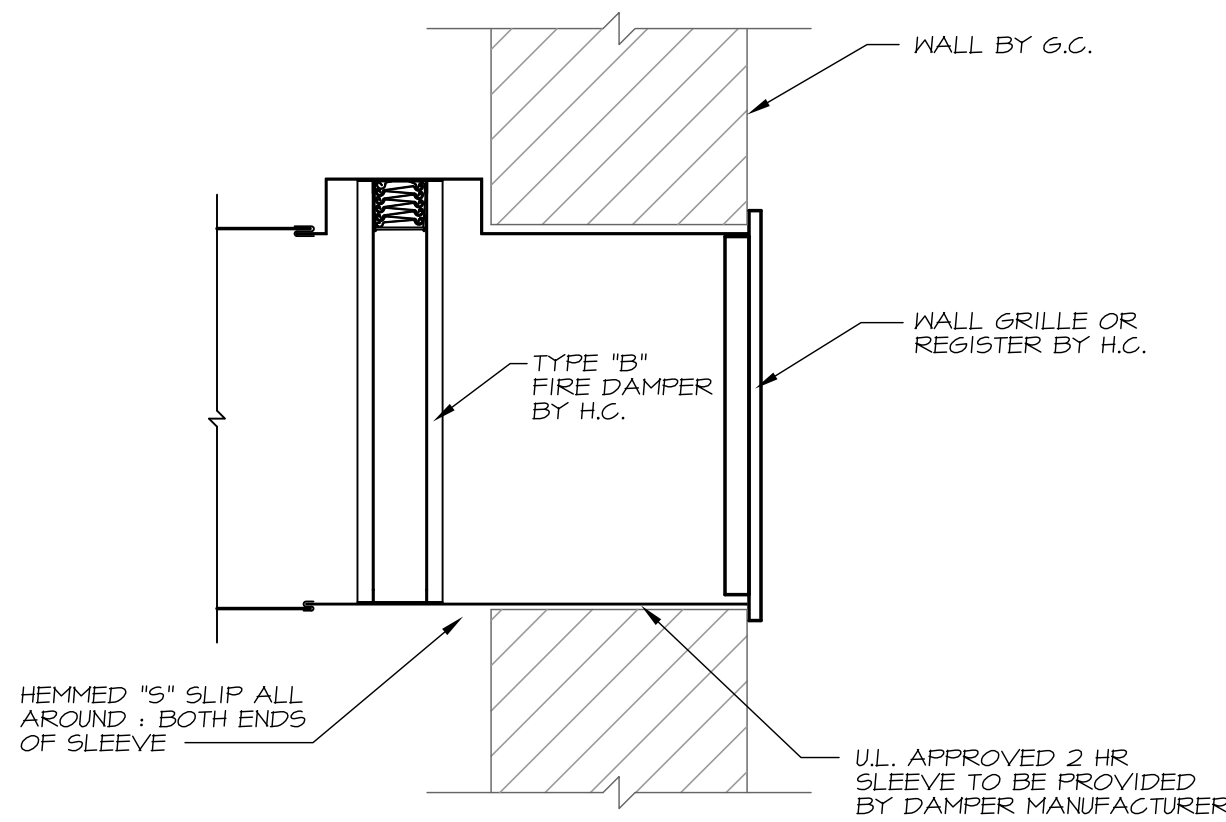
1 REFRIGERANT PIPE SUPPORT ON WALL
NO SCALE



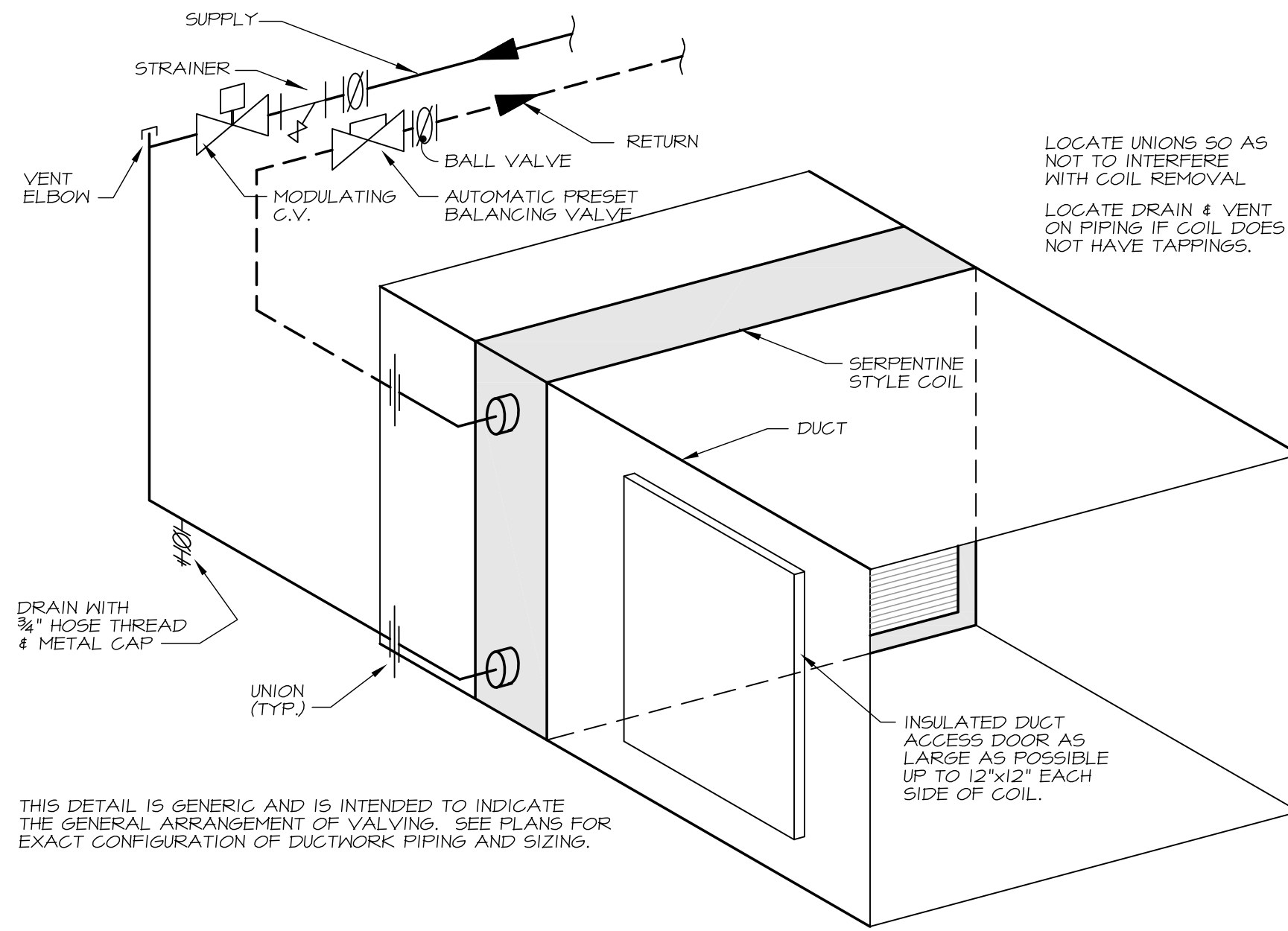
2 FINNED PIPE MOUNTING DETAIL
NO SCALE



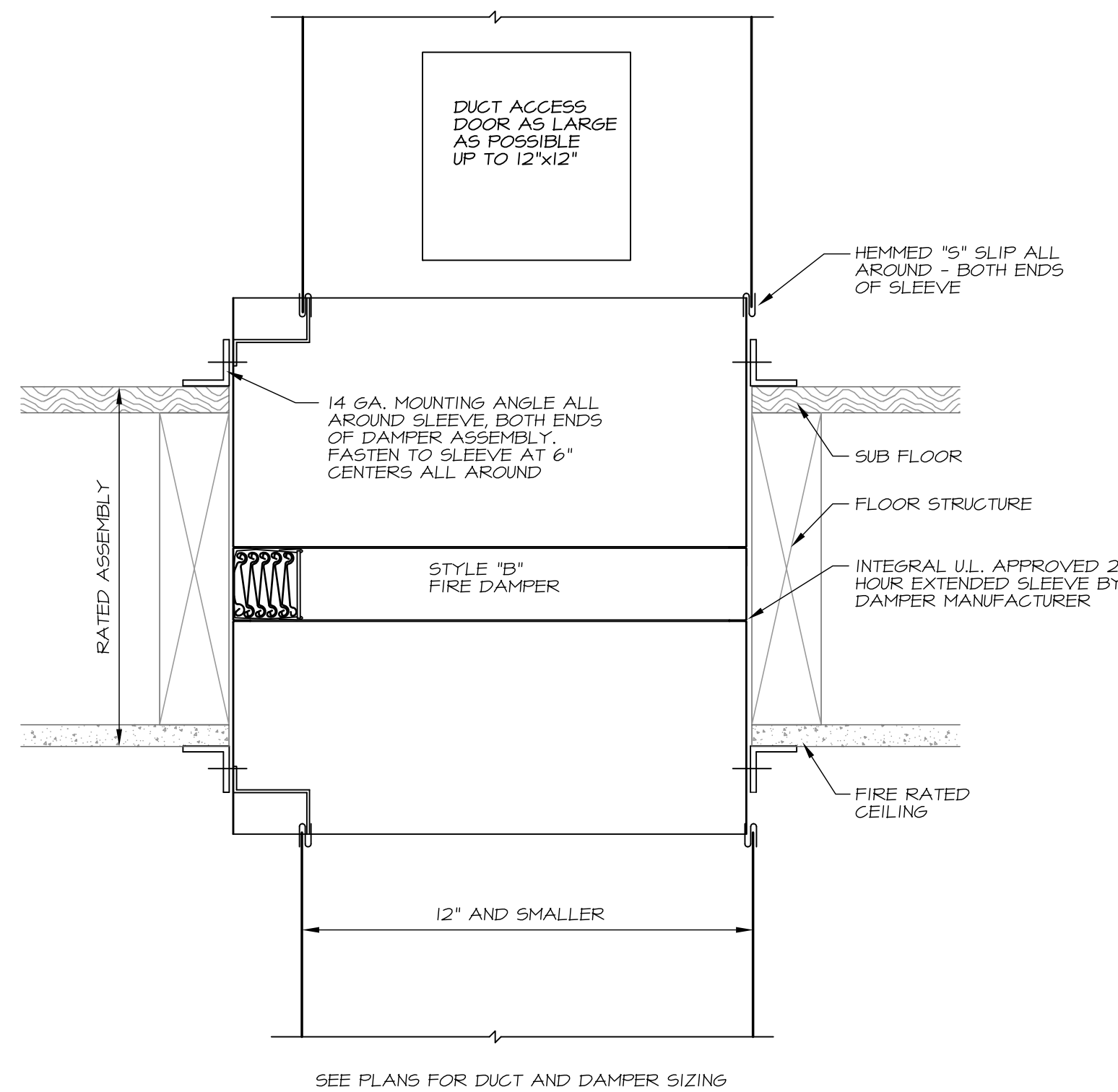
3 SHOP FABRICATED MANUAL DAMPER
NO SCALE



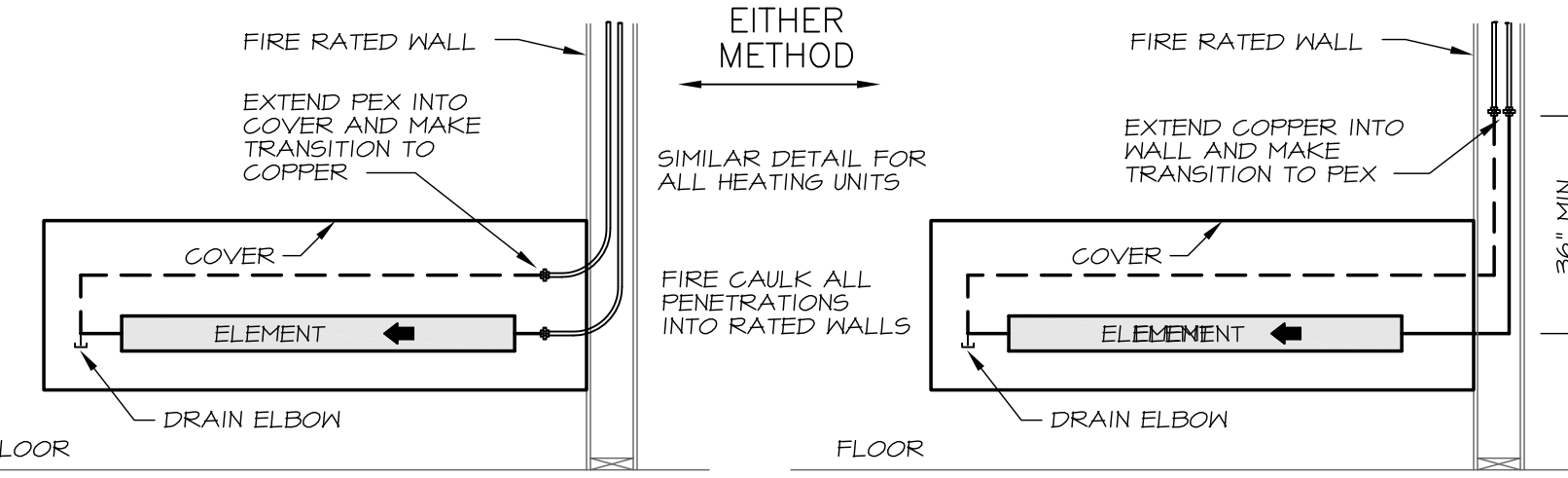
4 WALL FIRE DAMPER BEHIND GRILLE
NO SCALE



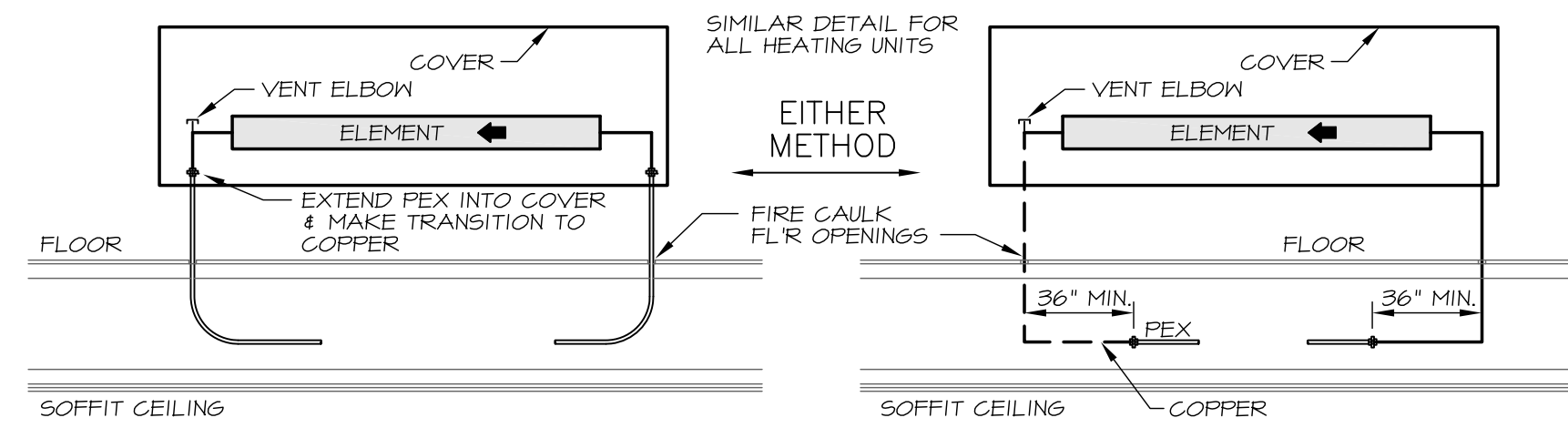
5 DUCT HOT WATER COIL DETAIL
NO SCALE



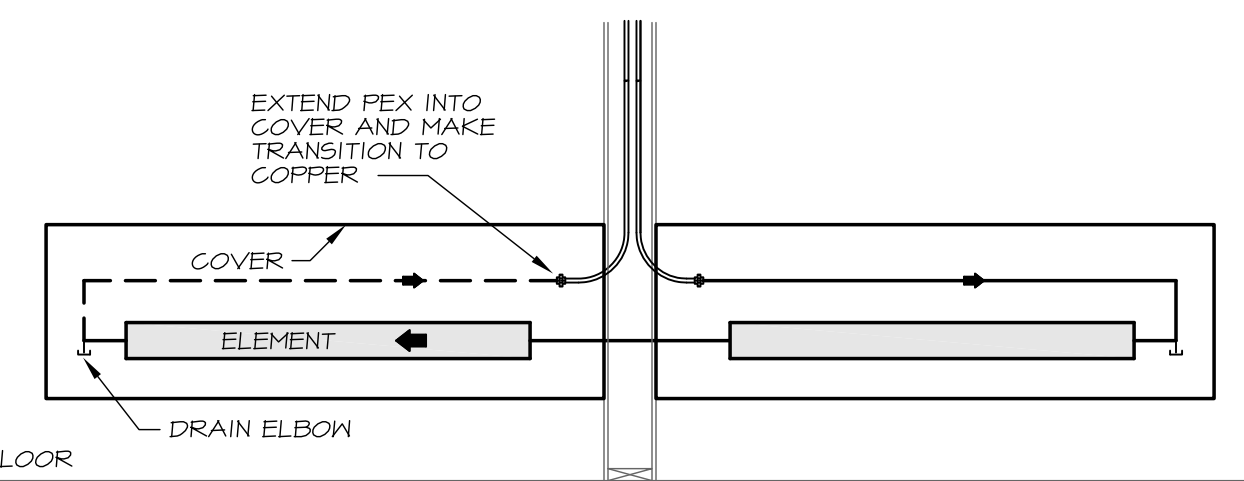
6 FLOOR FIRE DAMPER STYLE 'B'
NO SCALE



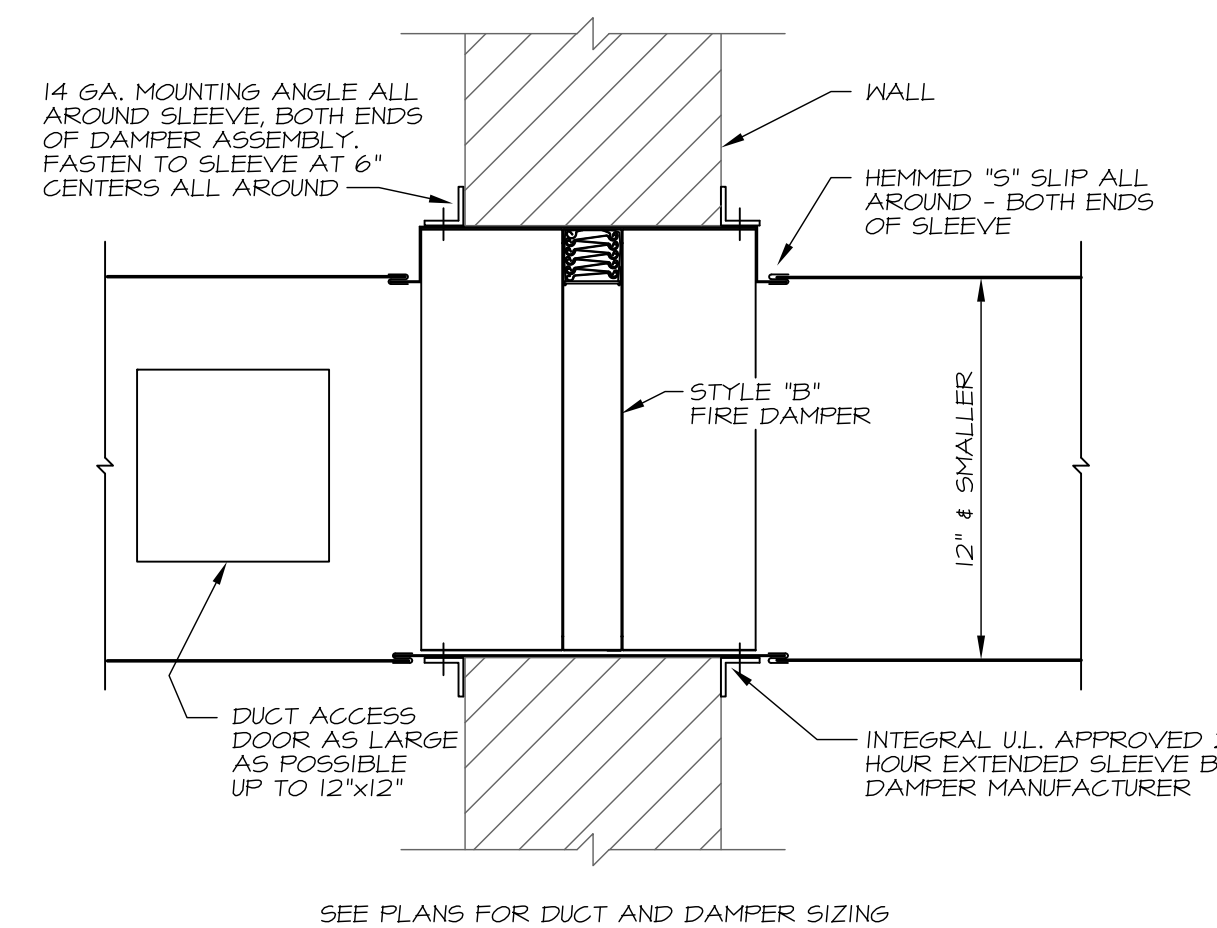
7 DOWNFEED PIPING WITH PIPING IN RATED WALLS
NO SCALE



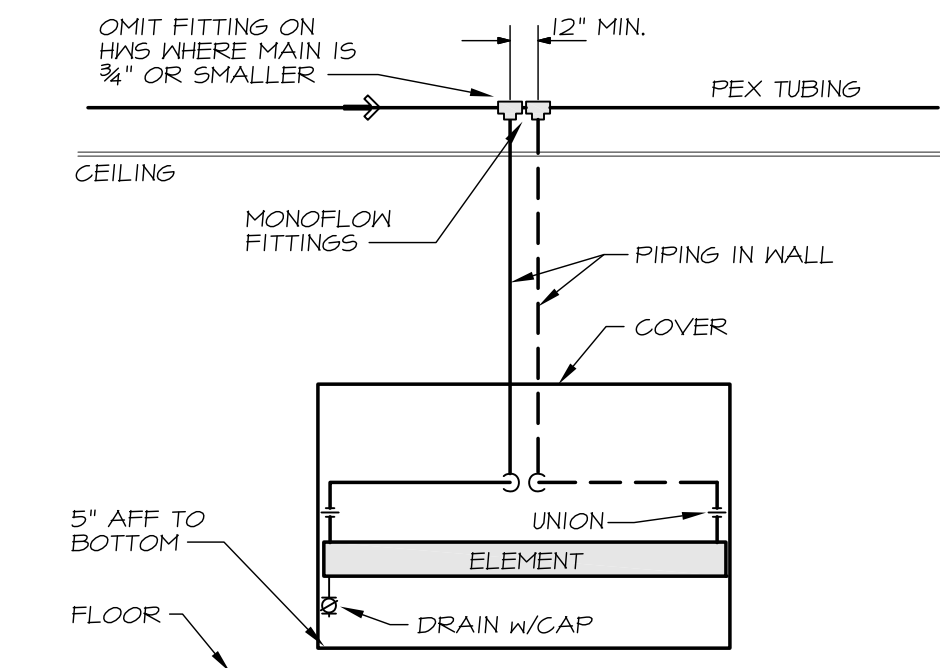
8 UPFEED PIPING THROUGH RATED FLOOR/CEILING
NO SCALE



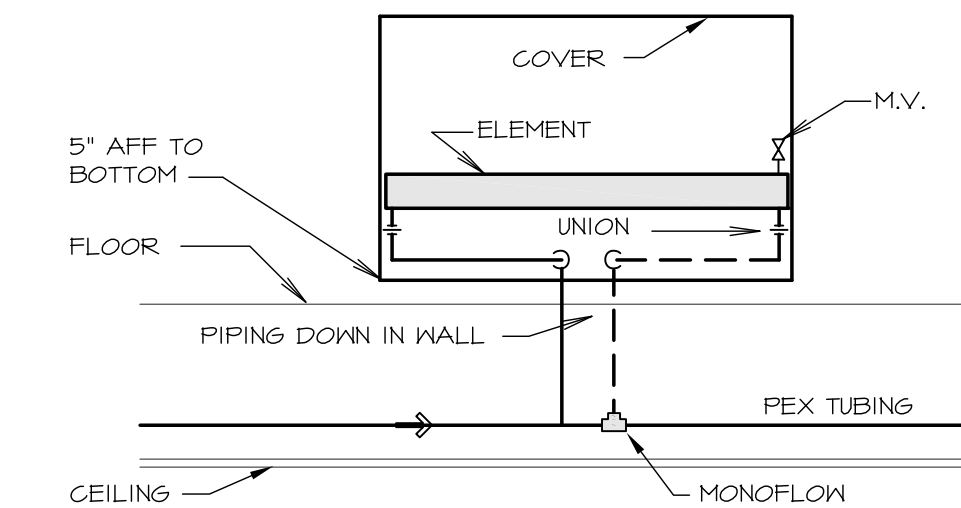
9 FINNED PIPE UNITS, TWO WAY FEED
NO SCALE



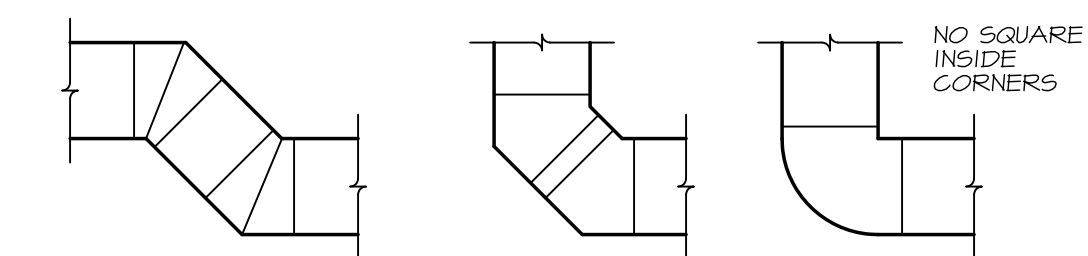
10 WALL FIRE DAMPER STYLE 'B'
NO SCALE



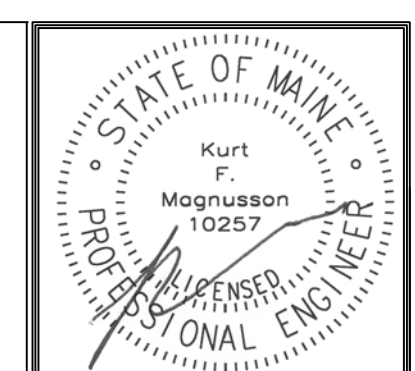
11 DOWNFEED CONVECTOR
NO SCALE



12 UPFEED CONVECTOR
NO SCALE



13 UNACCEPTABLE DUCT FITTINGS
NO SCALE



Prepared For:
MOTHERHOUSE LLC
Portland, ME 04103

Consulting Engineer:
MECHANICAL SYSTEMS ENGINEERS
ROYAL RIVER CENTER, UNIT 10B
10 FOREST FALLS (201) 846-3441
FACEBOOK: MECHANICAL SYSTEMS ENGINEERS
© COPYRIGHT 2016

Architect:
ARCHETYPE architects
48 Union Wharf Portland, Maine 04101
(207) 773-6022 ARCHETYPE@ARCHETYPERS.COM

Project:
MOTHERHOUSE SENIOR HOUSING
PORTLAND, MAINE

Revisions:
Permit Set: 1 March 2016

Date:
01 MARCH 2016
Scale:
3/8" = 1'-0"
GENERAL MECHANICAL DETAILS

M19
MSE PROJECT 1530

