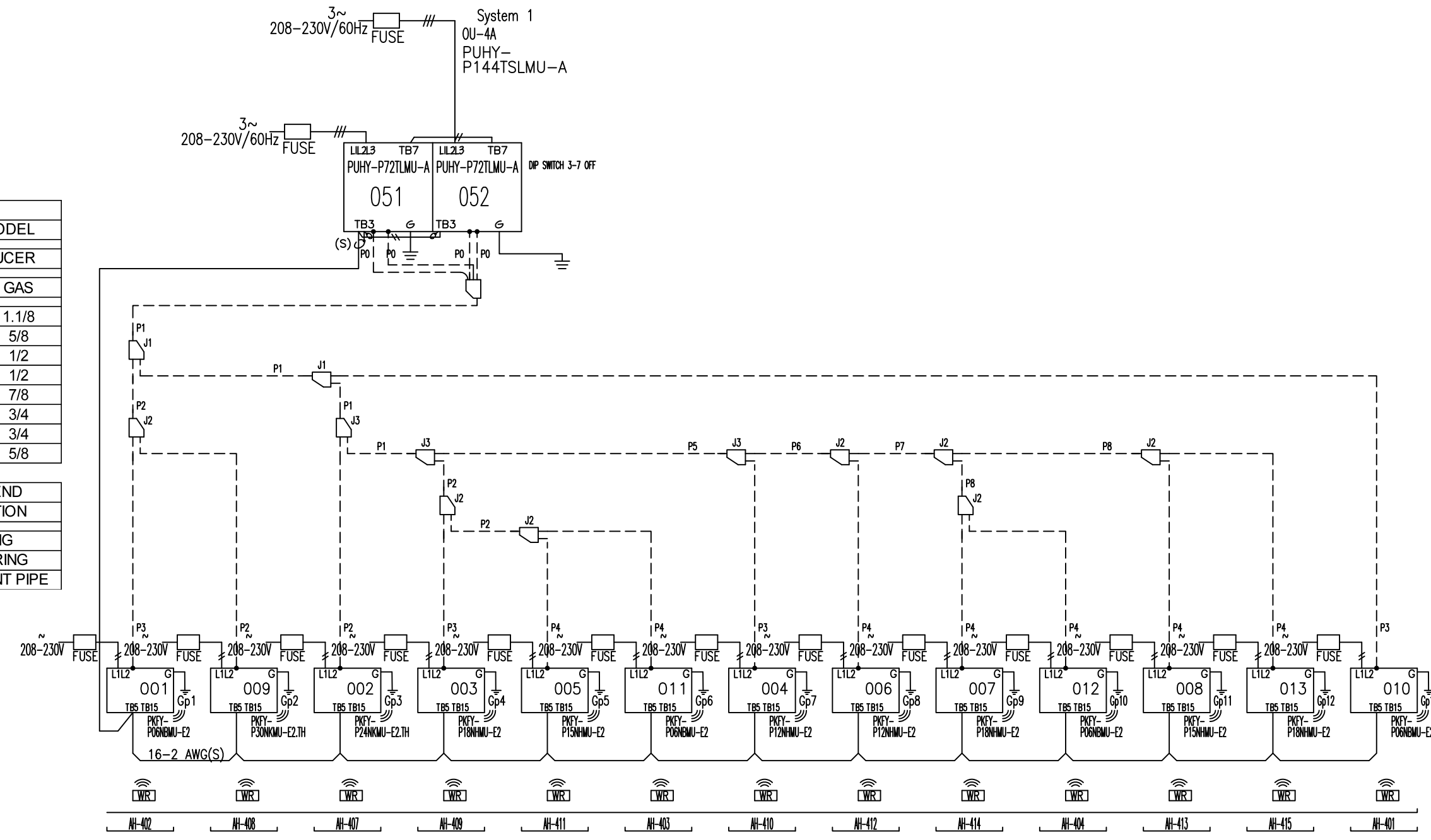


PIPING LEGEND		
SYMBOL	BRANCH MODEL	
J1, J2 & J3	TEE / REDUCER	
SYMBOL	LIQUID	GAS
P1	1/2	1.1/8
P2	3/8	5/8
P3	1/4	1/2
P4	3/8	1/2
P5	3/8	7/8
P6	3/8	3/4
P7	1/2	3/4
P8	1/2	5/8

DIAGRAM SYMBOL LEGEND	
DISPLAY	DESCRIPTION
---	POWER WIRING
---	CONTROL WIRING
---	REFRIGERANT PIPE

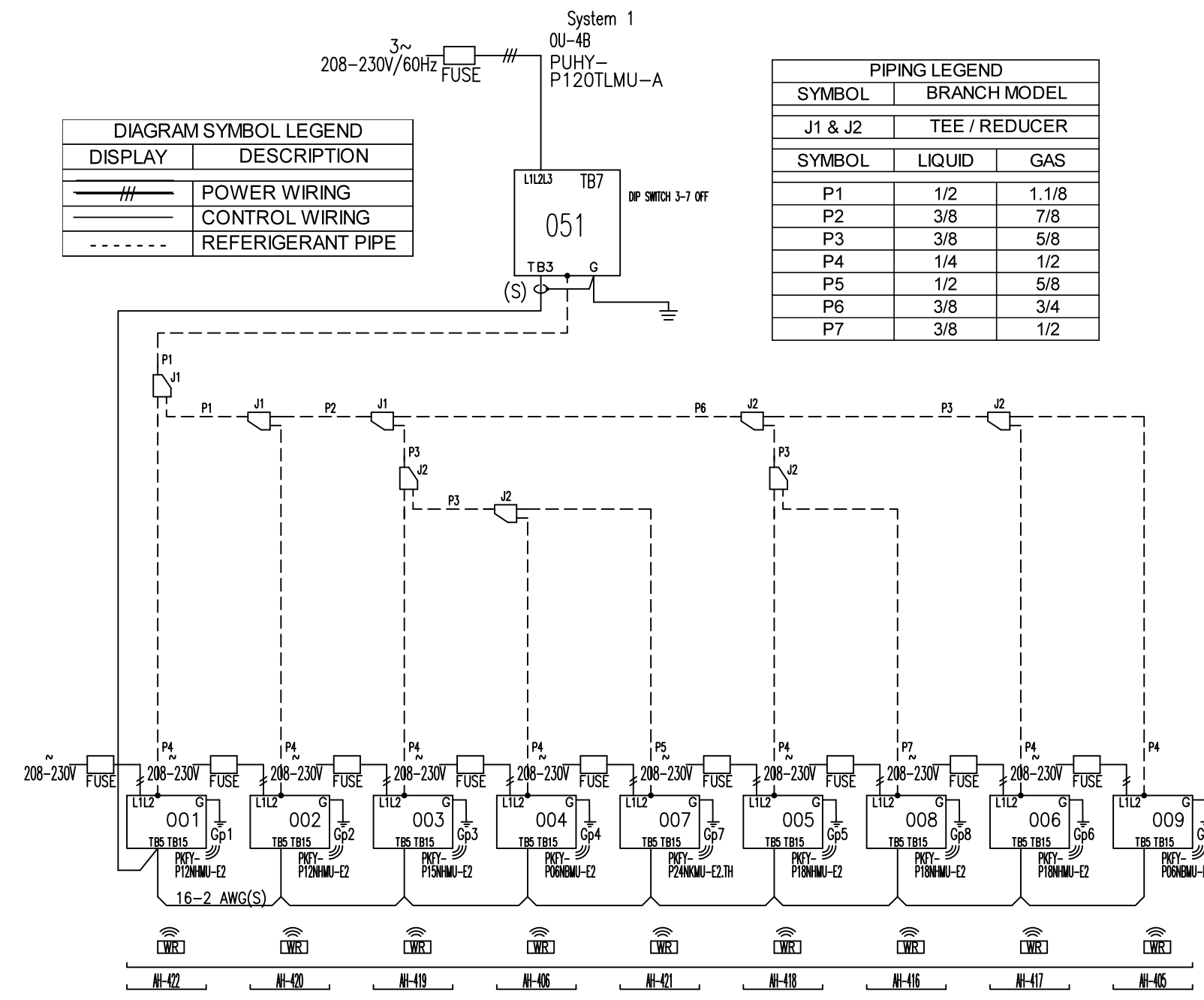


**1 DIAGRAM OF COOLING SYSTEM 4A**  
NO SCALE

DIAGRAM SYMBOL LEGEND	
DISPLAY	DESCRIPTION
---	POWER WIRING
---	CONTROL WIRING
---	REFRIGERANT PIPE

PIPING LEGEND		
SYMBOL	BRANCH MODEL	
J1 & J2	TEE / REDUCER	
SYMBOL	LIQUID	GAS
P1	1/2	1.1/8
P2	3/8	7/8
P3	3/8	5/8
P4	1/4	1/2
P5	1/2	5/8
P6	3/8	3/4
P7	3/8	1/2

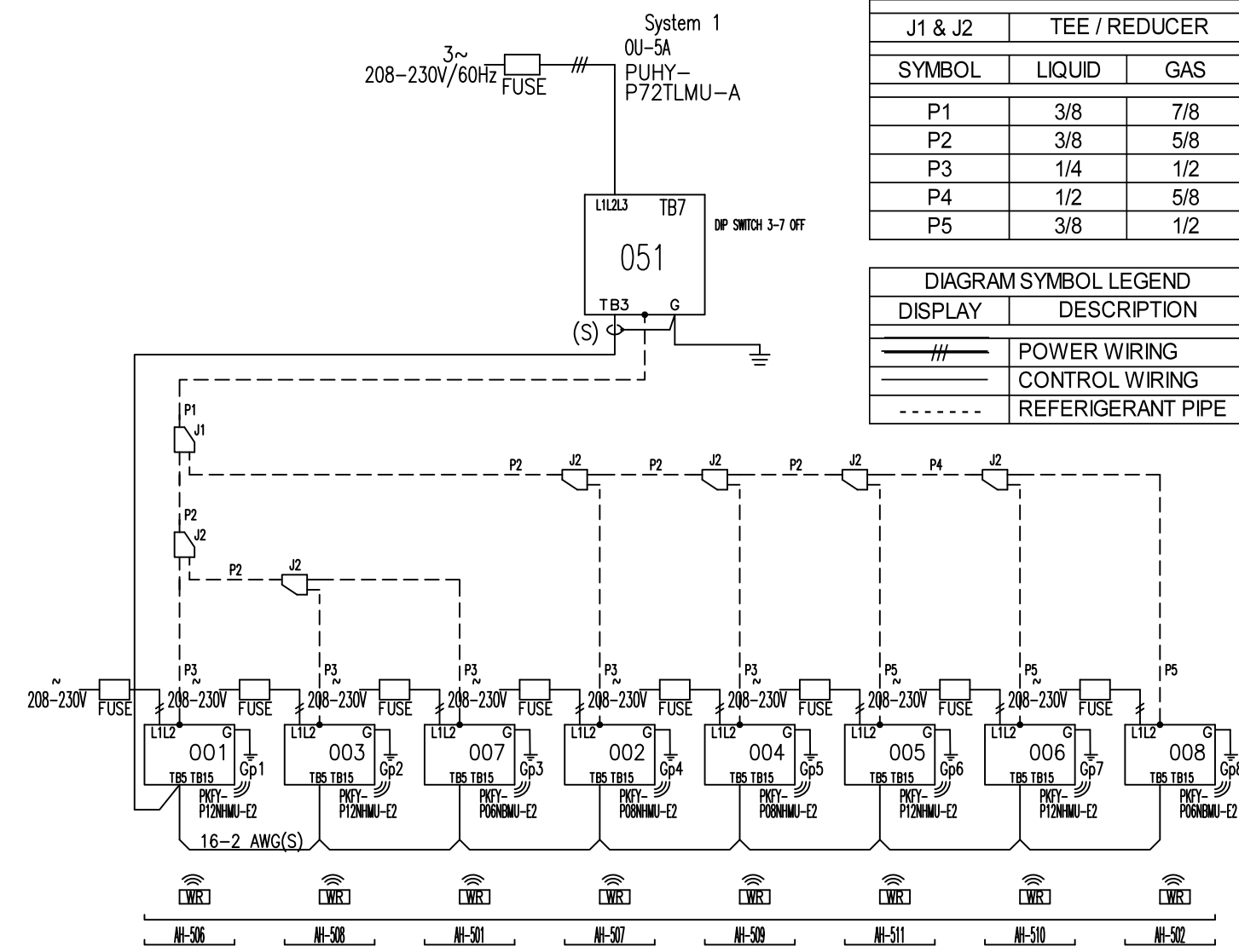


**2 DIAGRAM OF COOLING SYSTEM 4B**  
NO SCALE

PIPING LEGEND		
SYMBOL	BRANCH MODEL	
J1 & J2	TEE / REDUCER	
SYMBOL	LIQUID	GAS
P1	3/8	7/8
P2	3/8	5/8
P3	1/4	1/2
P4	1/2	5/8
P5	3/8	1/2

DIAGRAM SYMBOL LEGEND	
DISPLAY	DESCRIPTION
---	POWER WIRING
---	CONTROL WIRING
---	REFRIGERANT PIPE

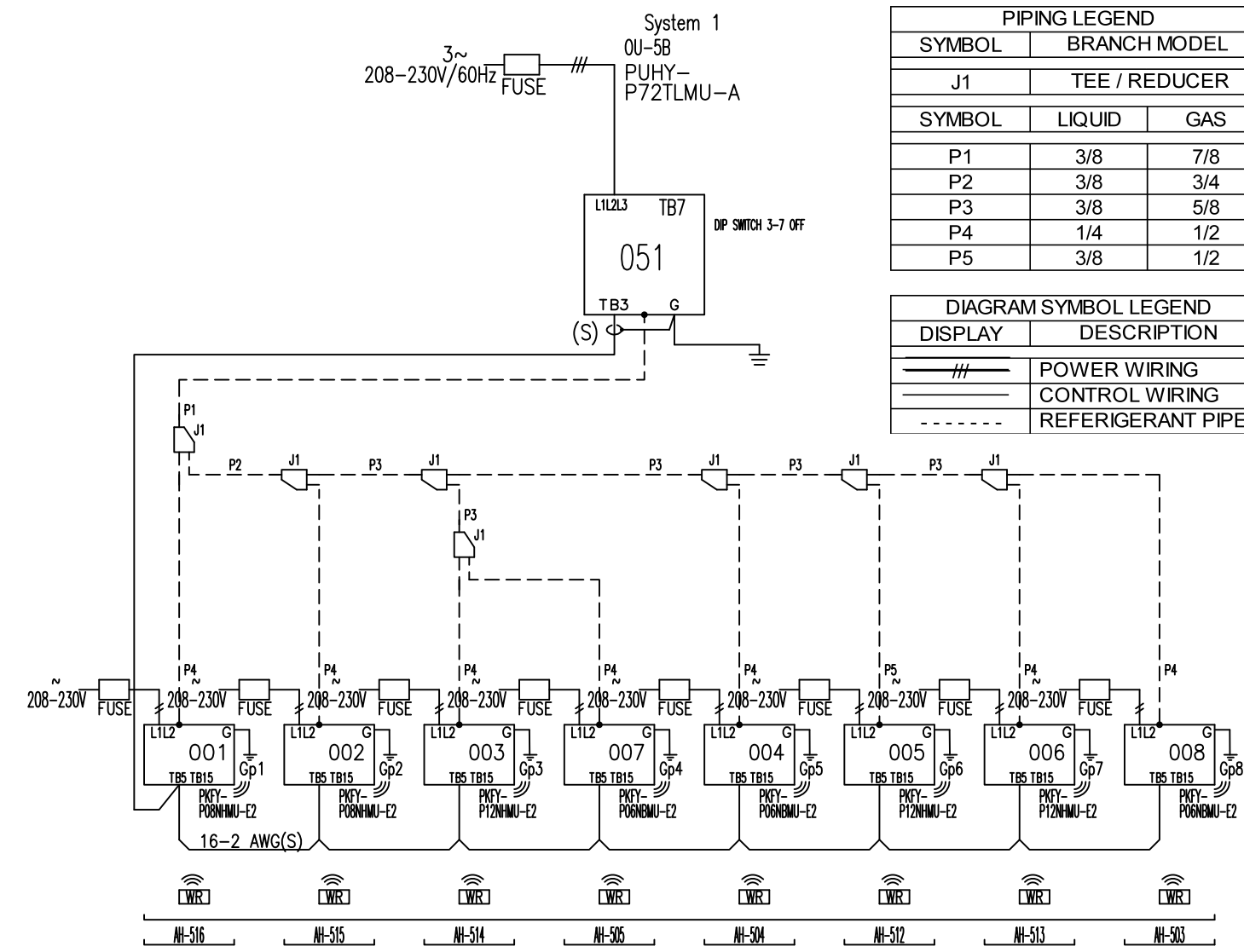


**3 DIAGRAM OF COOLING SYSTEM 5A**  
NO SCALE

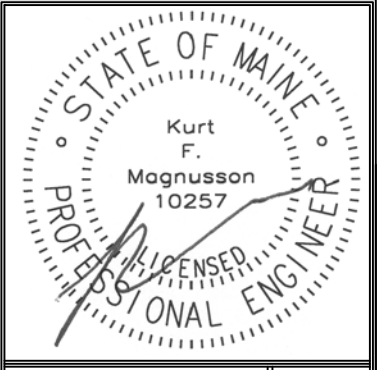
PIPING LEGEND		
SYMBOL	BRANCH MODEL	
J1	TEE / REDUCER	
SYMBOL	LIQUID	GAS
P1	3/8	7/8
P2	3/8	3/4
P3	3/8	5/8
P4	1/4	1/2
P5	3/8	1/2

DIAGRAM SYMBOL LEGEND	
DISPLAY	DESCRIPTION
---	POWER WIRING
---	CONTROL WIRING
---	REFRIGERANT PIPE



**4 DIAGRAM OF COOLING SYSTEM 5B**  
NO SCALE



Prepared For:  
**MOTHERHOUSE LLC**  
 Portland, ME 04103

Consulting Engineer:  
**MECHANICAL SYSTEMS ENGINEERS**  
 ROYAL RIVER CENTER, UNIT 108  
 10 FOREST FALLS (201) 846-3441  
 FACEBOOK: MECHANICAL SYSTEMS ENGINEERS  
 © COPYRIGHT 2016

Architect:  
**ARCHETYPE architects**  
 48 Union Wharf Portland, Maine 04101  
 (207) 773-6022 ARCHETYPE@ARCHETYPEPA.COM

Project:  
**MOTHERHOUSE SENIOR HOUSING**  
 PORTLAND, MAINE

Revisions:  
 Permit Set: 1 March 2016

Date: 01 MARCH 2016  
 Scale: 3/8" = 1'-0"  
**COOLING SYSTEM DIAGRAMS**



**M18**  
 MSE PROJECT 1530