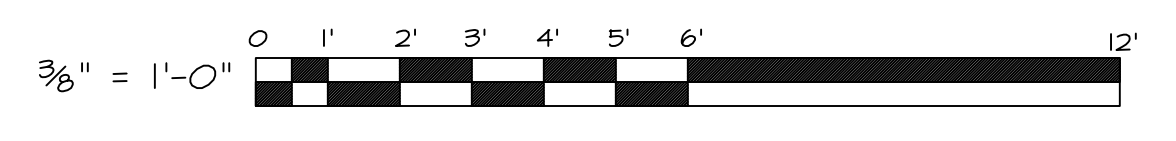
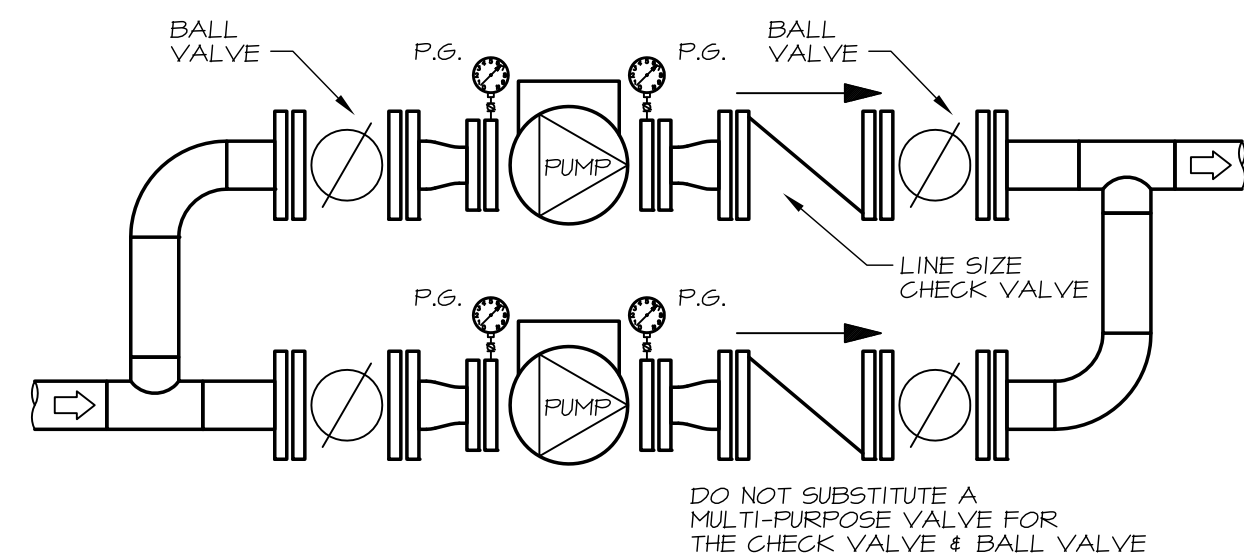
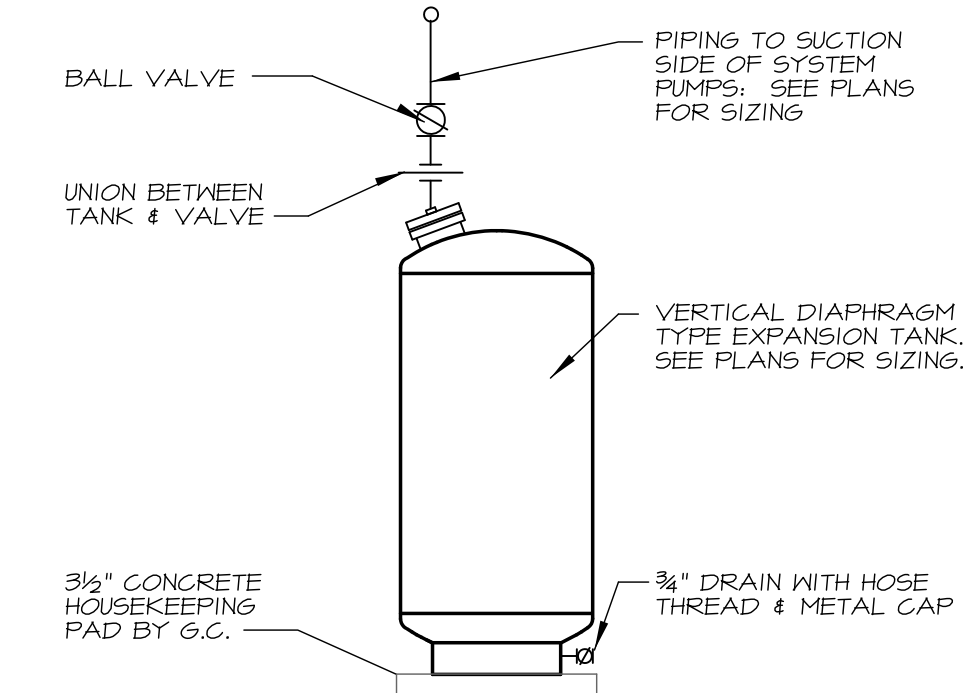
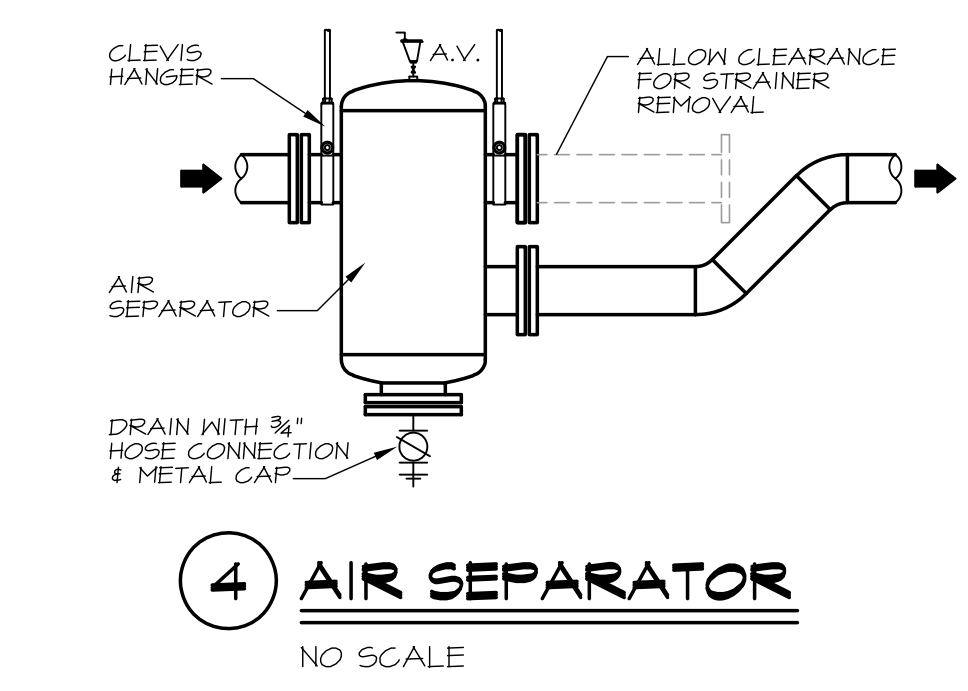
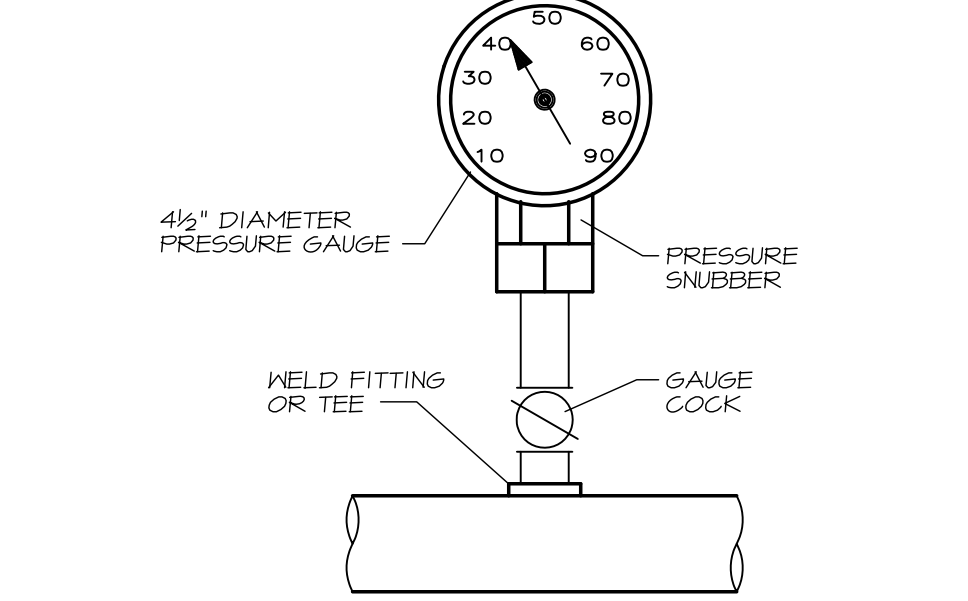
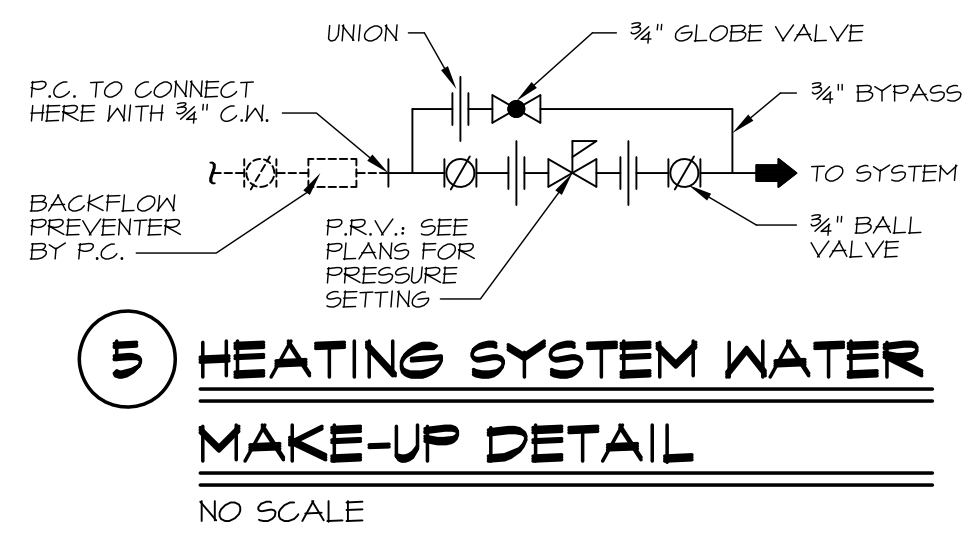
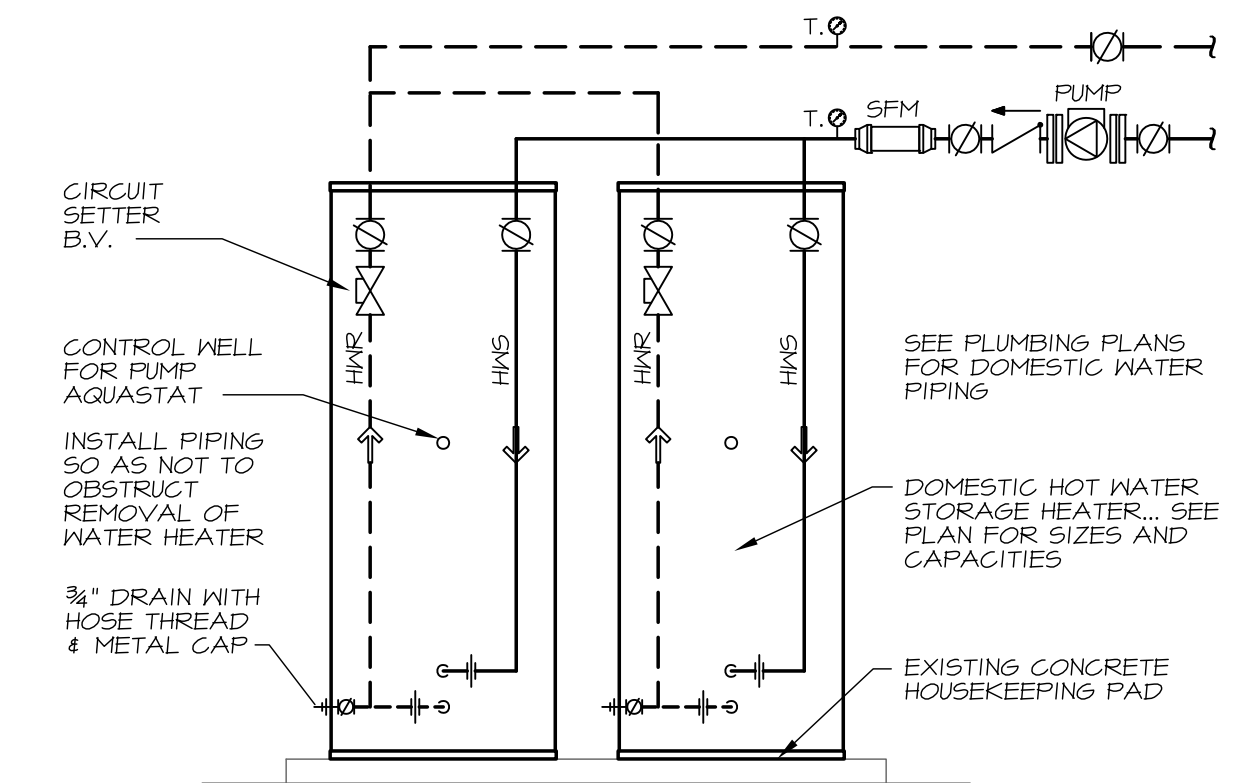
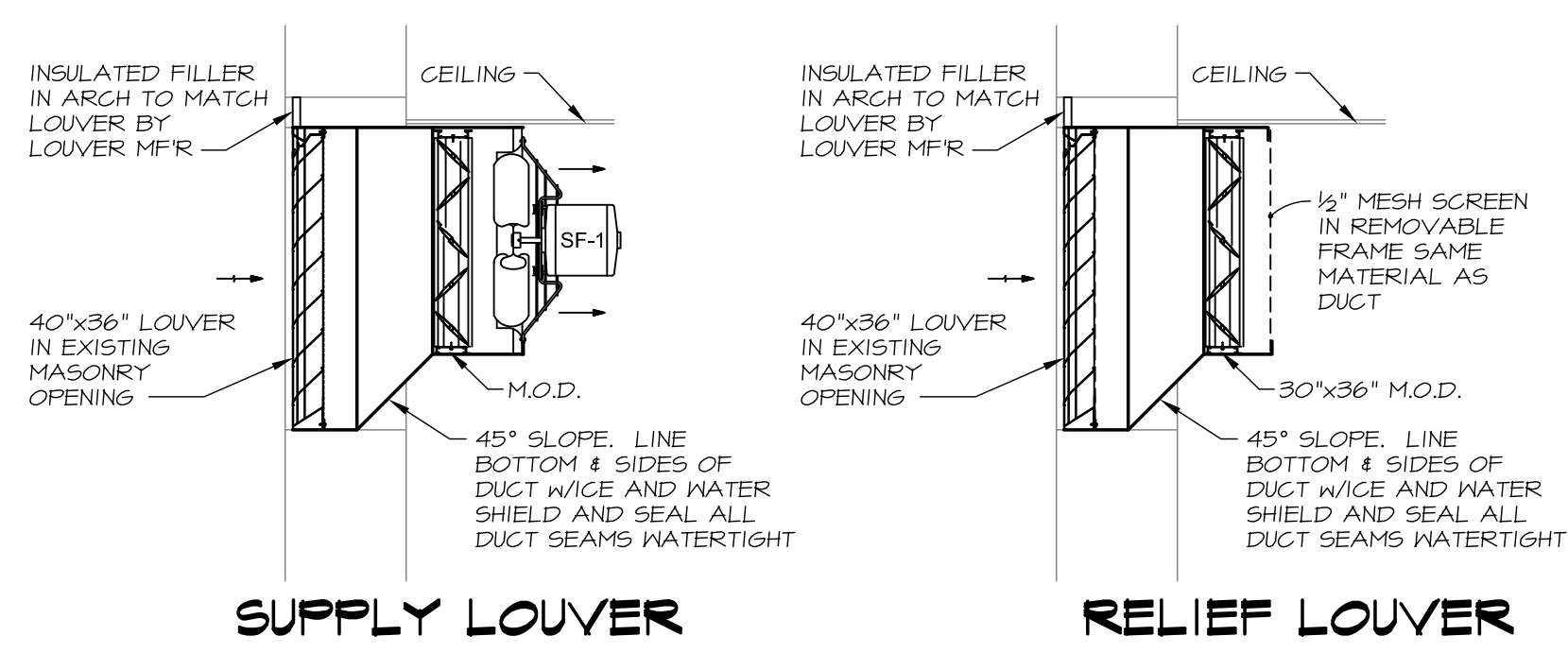
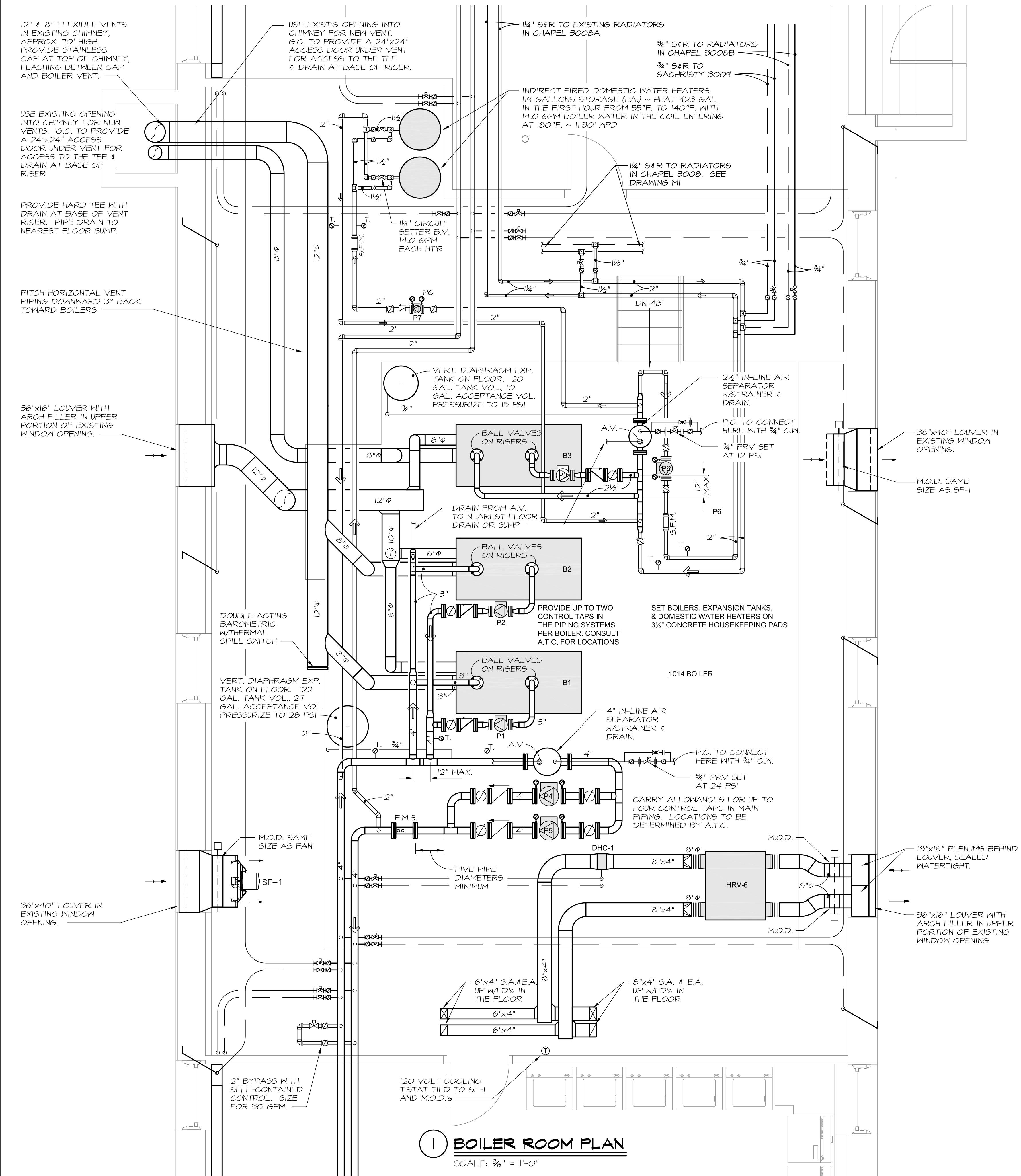


February 26, 2016 - 9:10 am
 \VIBEP\Projects\1530 Motherhouse SA\Drawings\1530_M16-M20.dwg



STATE OF MAINE
 Kurt F. Magnusson
 10257
 PROFESSIONAL ENGINEER

Prepared For: **MOTHERHOUSE LLC**
 Portland, ME 04103

Consulting Engineer: **MECHANICAL SYSTEMS ENGINEERS**
 ROYAL RIVER CENTER, UNIT 108
 10 FOREST FALLS (201) 846-4411, MAINE 04068
 FACEBOOK: MECHANICAL SYSTEMS ENGINEERS © COPYRIGHT 2016

Architect: **ARCHETYPE architects**
 48 Union Wharf Portland, Maine 04101
 (207) 773-6022 ARCHETYPE@ARCHETYPEPA.COM

Project: **MOTHERHOUSE SENIOR HOUSING**
 PORTLAND, MAINE

Revisions: Permit Set: 1 March 2016

Date: 01 MARCH 2016
 Scale: 3/8" = 1'-0"

BOILER ROOM PLAN AND DETAILS

M16
 MSE PROJECT 1530

