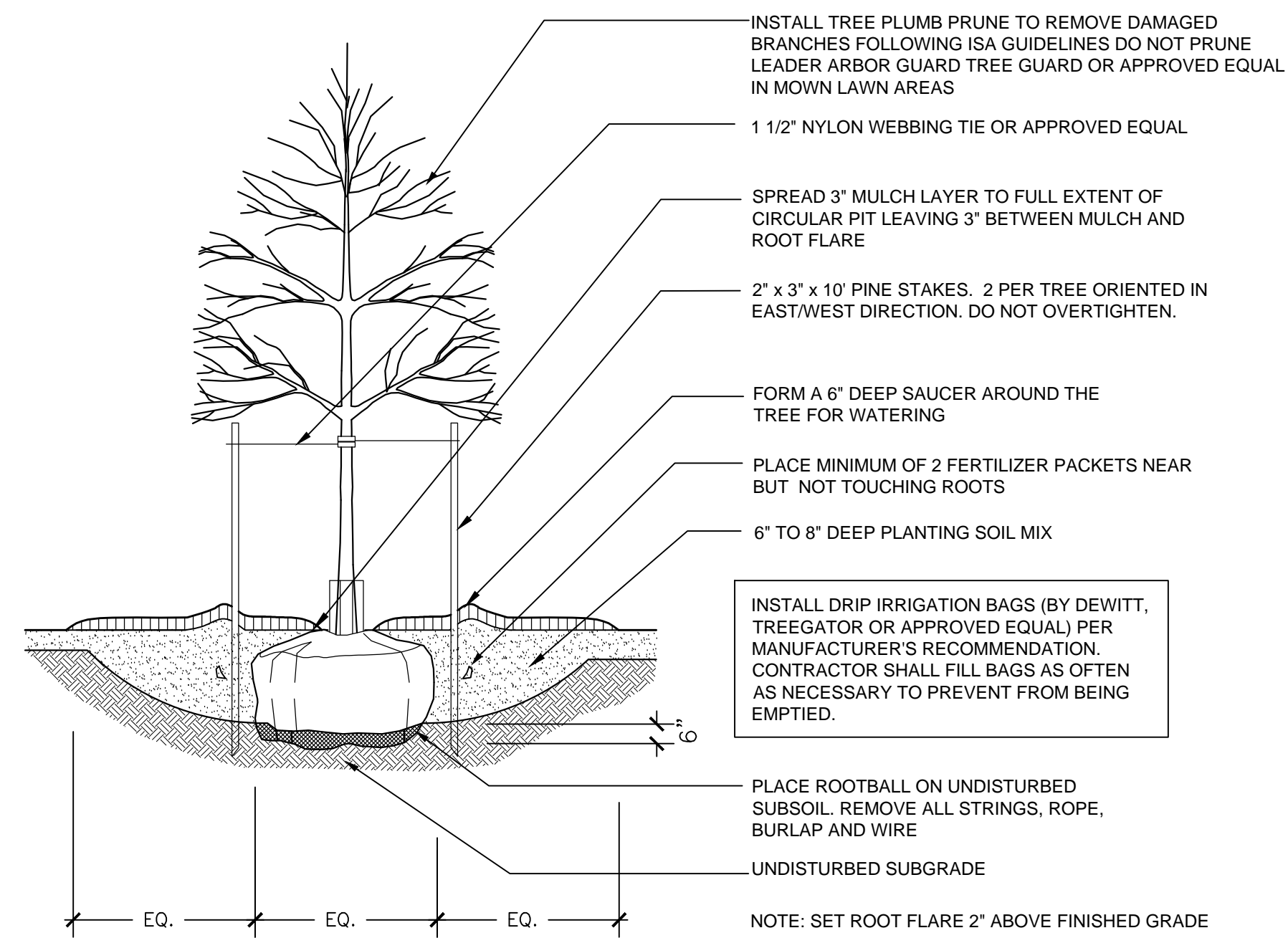
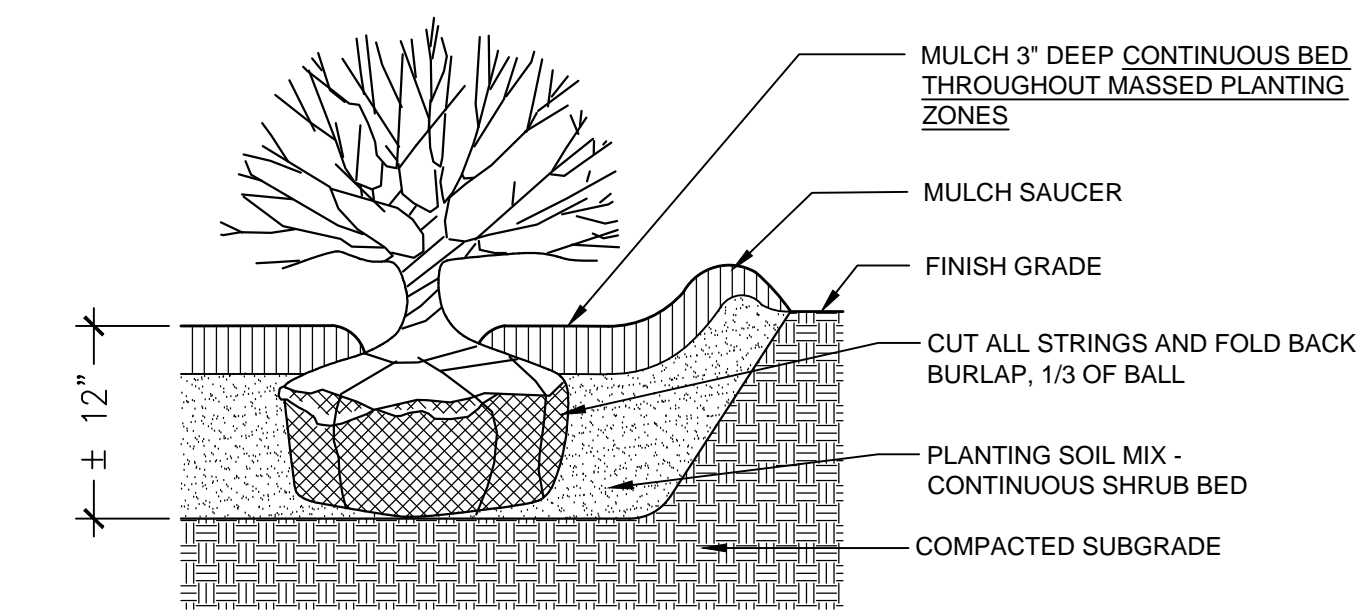


NOTE: TREE PROTECTION FENCING TO REMAIN FOR DURATION OF PROJECT UNLESS OTHERWISE DIRECTED BY LANDSCAPE ARCHITECT

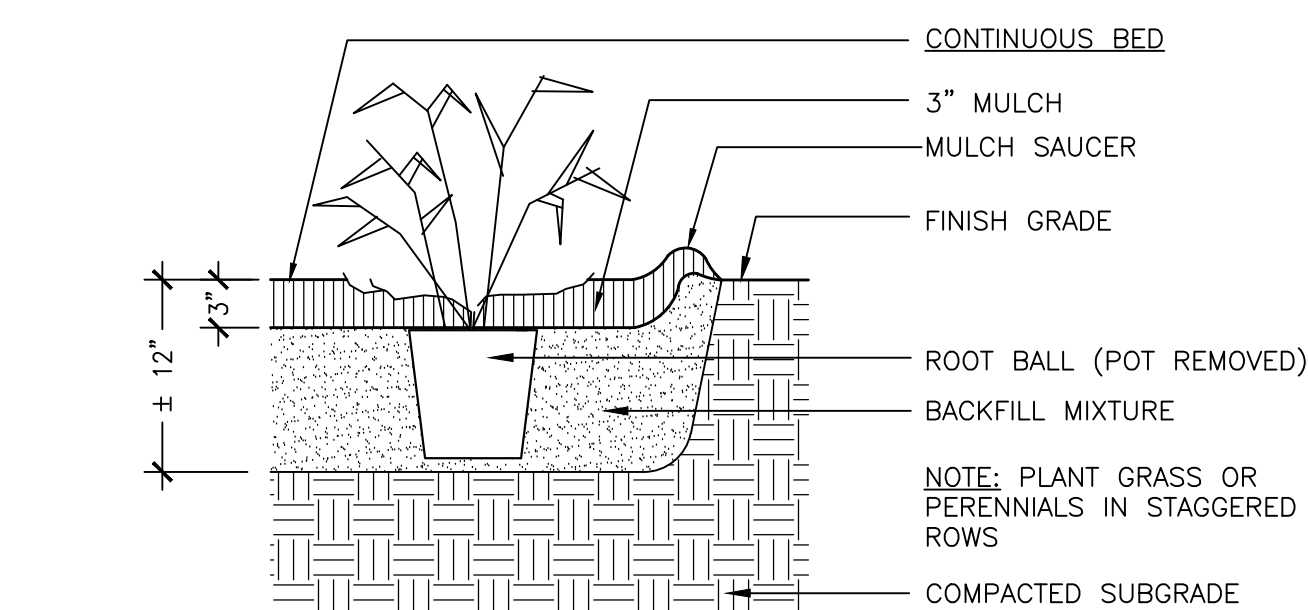
1 TREE PROTECTION
 SCALE: N.T.S.



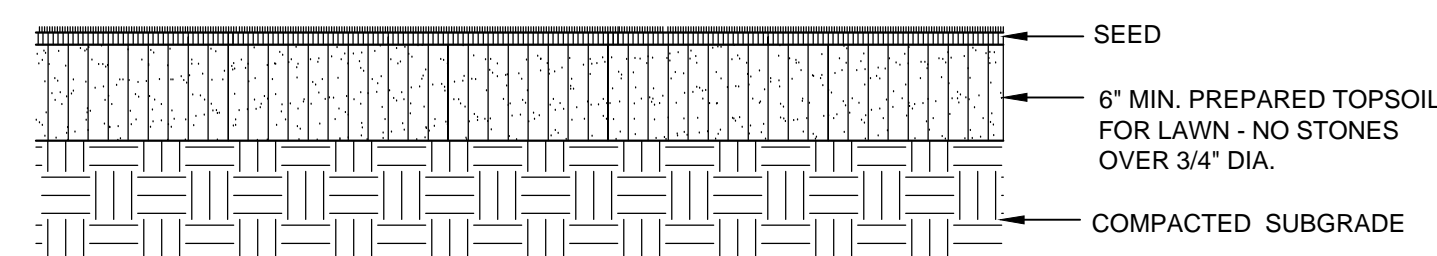
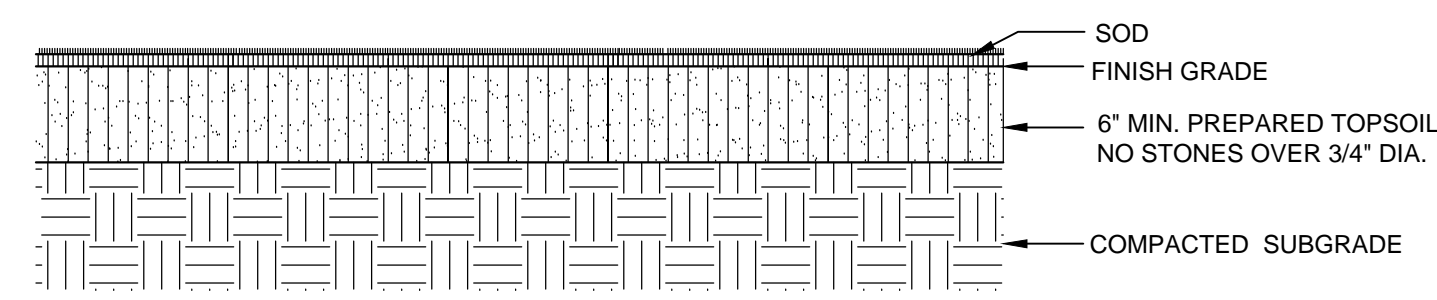
2 TREE PLANTING
 SCALE: N.T.S.



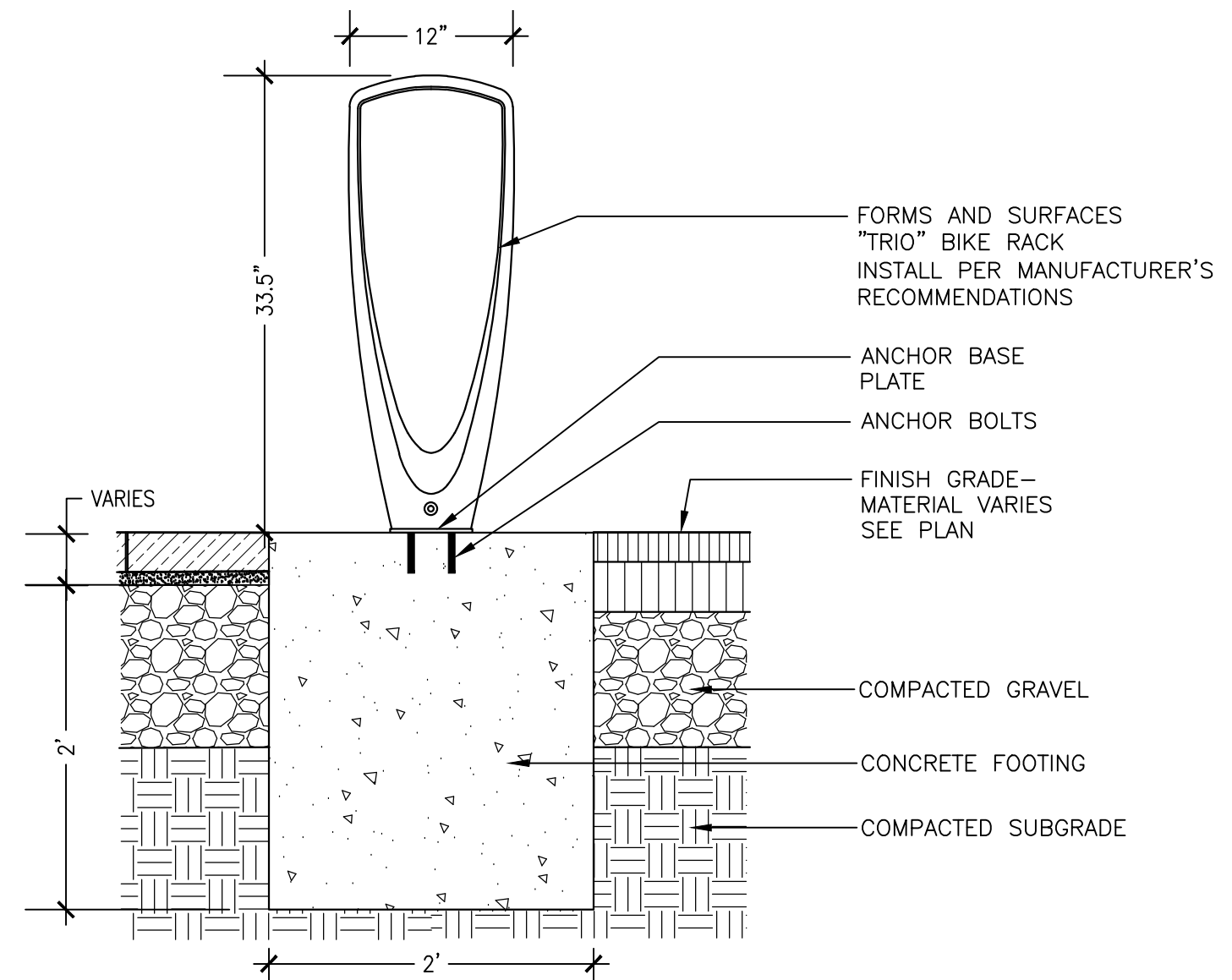
3 SHRUB PLANTING
 SCALE: N.T.S.



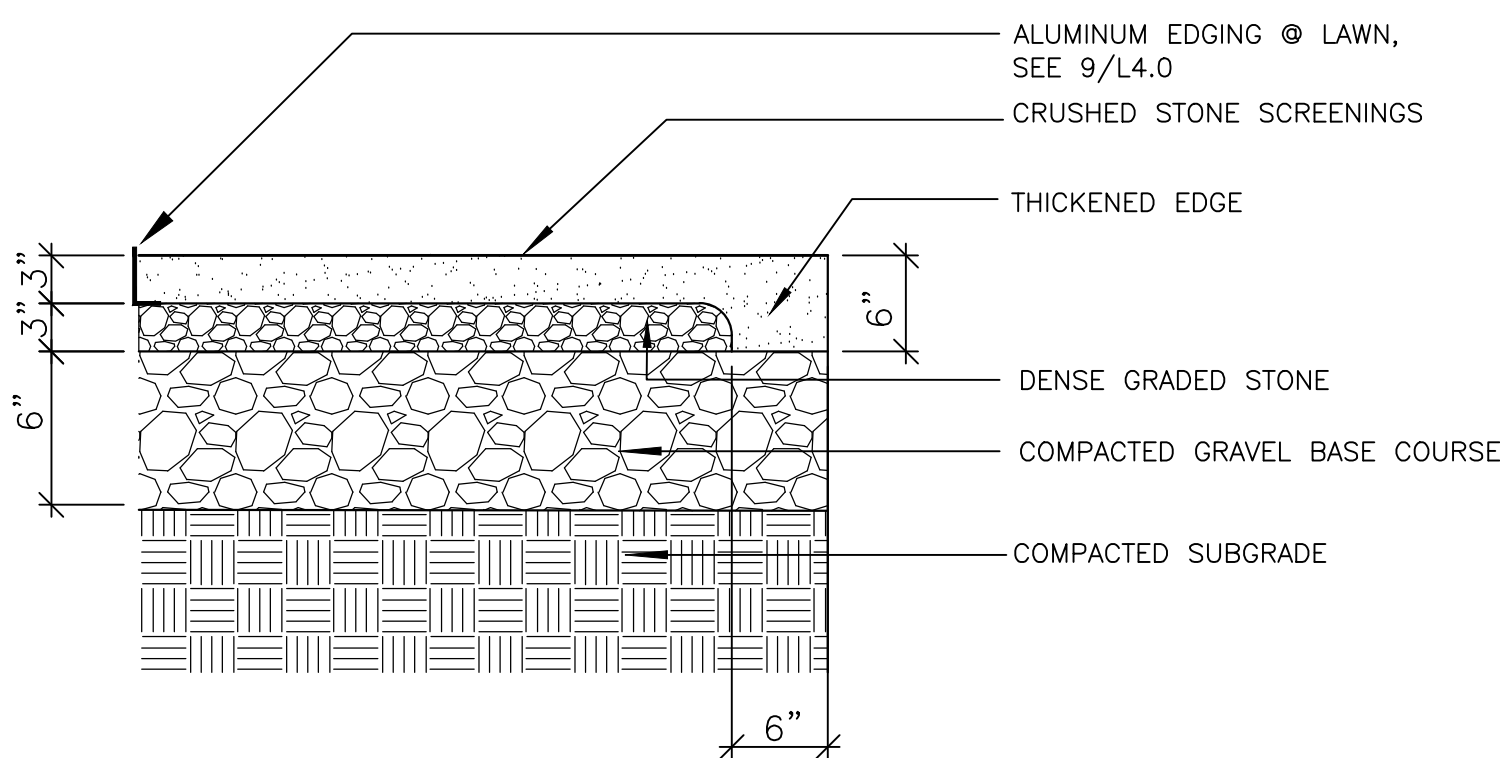
4 PERENNIAL / ORNAMENTAL GRASS PLANTING
 SCALE: N.T.S.



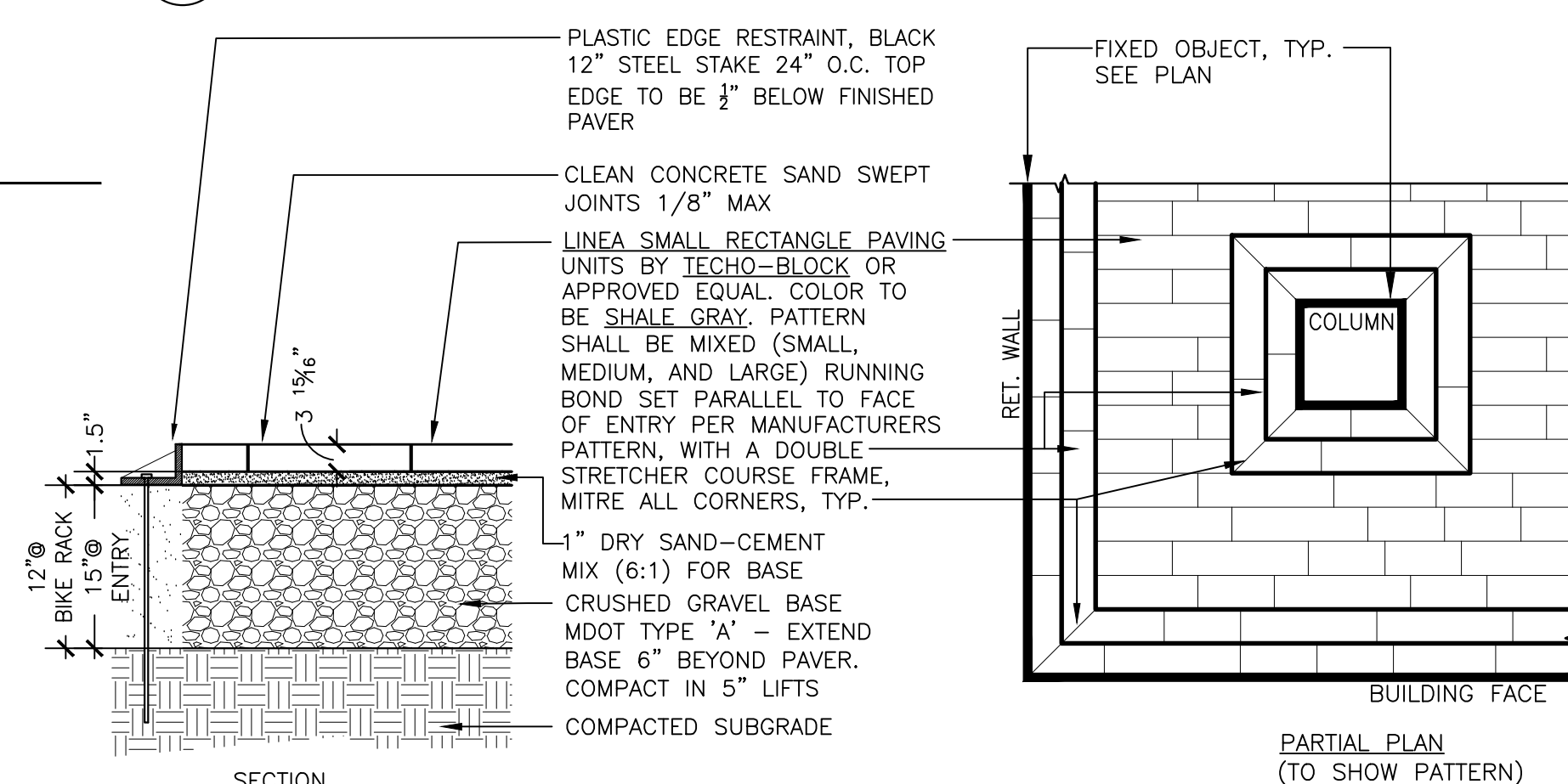
5 LAWN
 SCALE: N.T.S.



6 BIKE RACK
 SCALE: N.T.S.

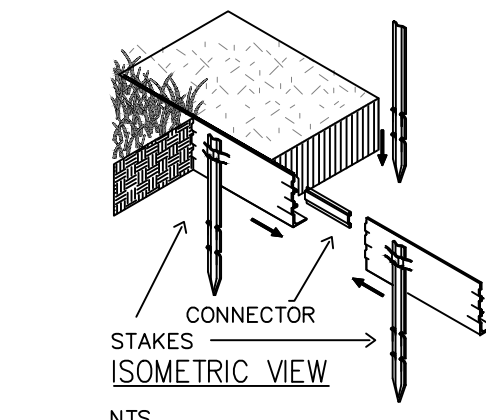


7 STONEDUST PAVING
 SCALE: N.T.S.

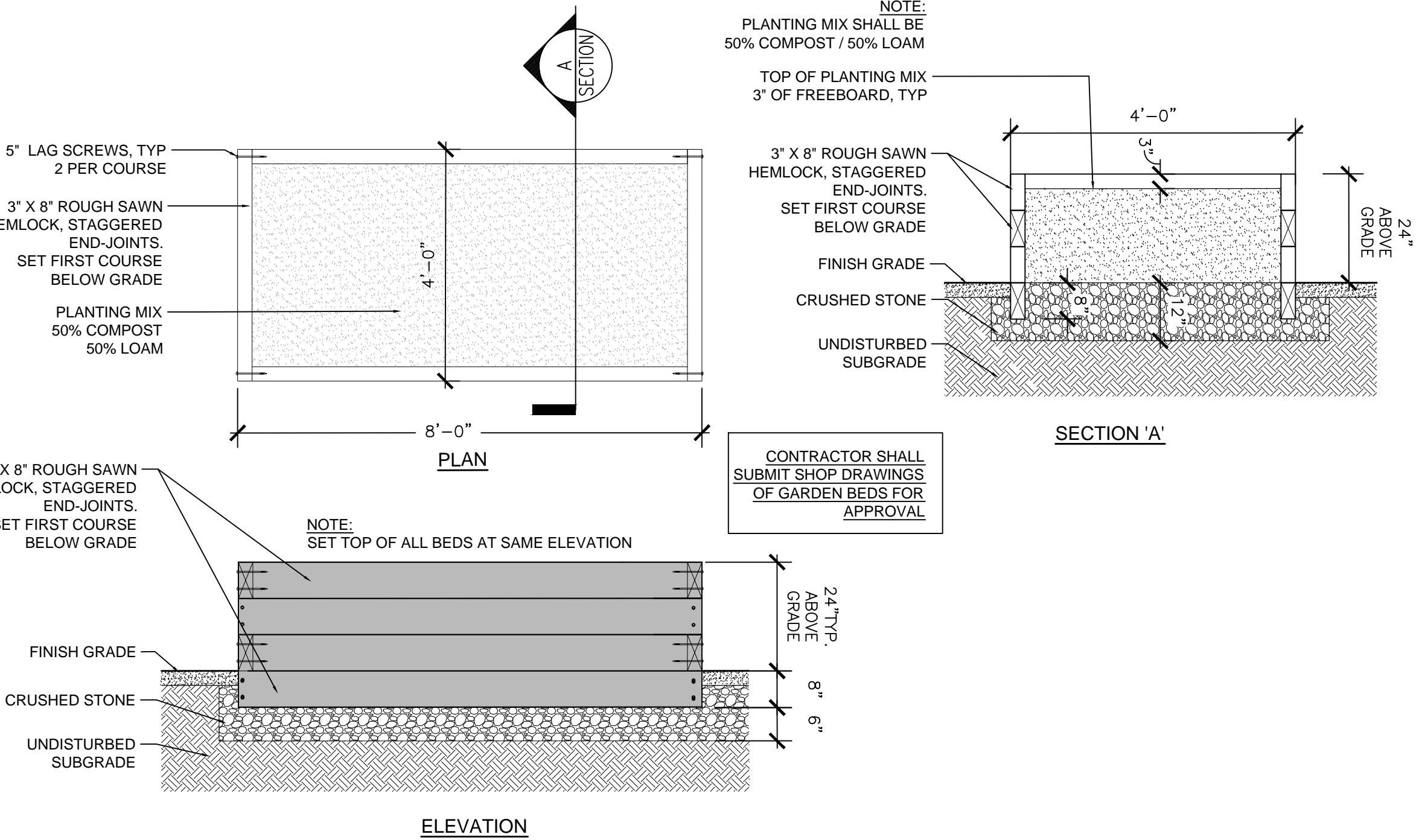


8 CONCRETE PAVERS
 SCALE: N.T.S.

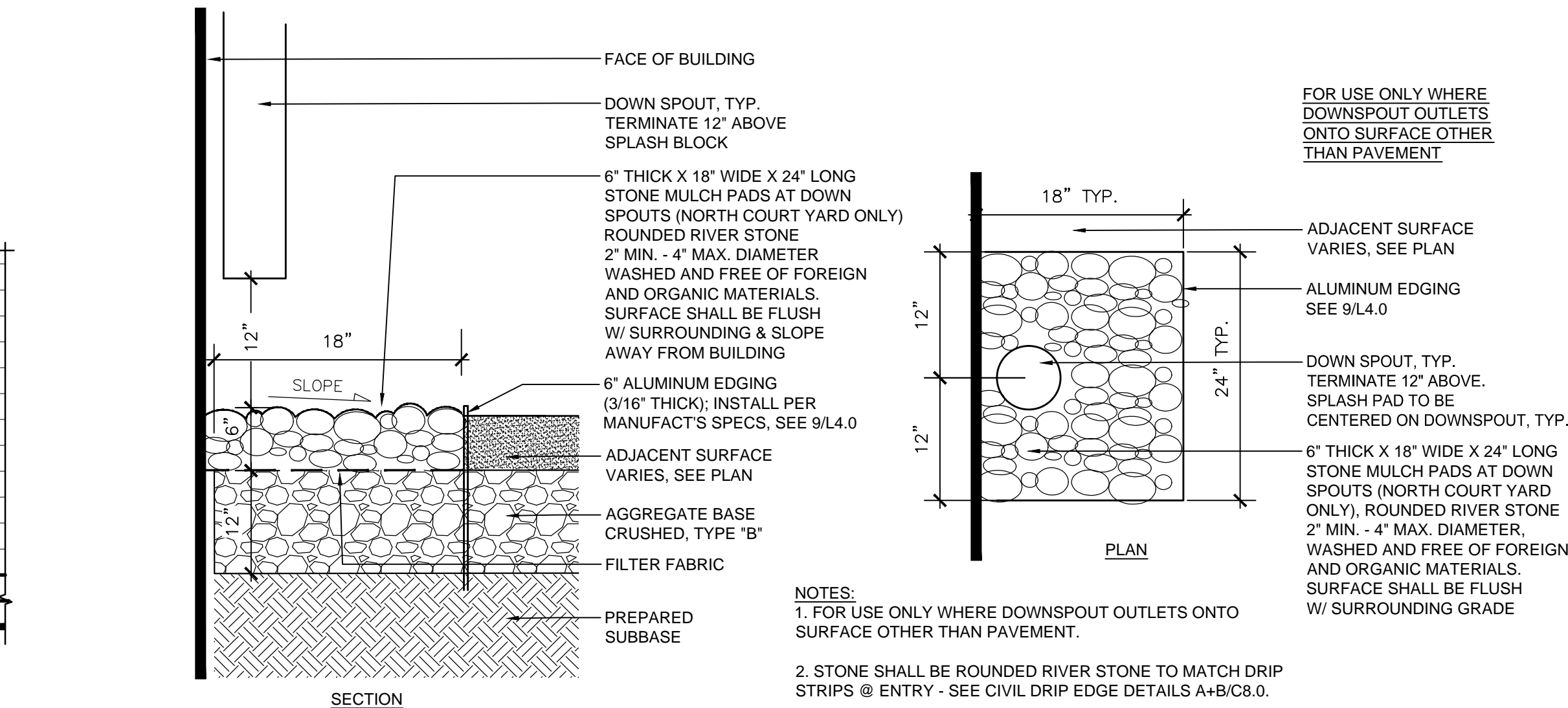
- ARCHITECT NOTE: CHECK OFF APPLICABLE SIZE & FINISH DESIRED
- SIZE:
 3/8" x 3/8" (3.2 MM x 3.2 MM), 0.060" (1.52 MM) THICK
 3/8" x 1/2" (4.8 MM x 8.9 MM), 0.076" (1.93 MM) THICK
 3/8" x 3/4" (4.8 MM x 12.7 MM), 0.076" (1.93 MM) THICK
 1/2" x 1/2" (12.7 MM x 12.7 MM), 0.076" (1.93 MM) THICK
 1/2" x 3/4" (12.7 MM x 19.0 MM), 0.076" (1.93 MM) THICK
 3/4" x 1/2" (19.0 MM x 12.7 MM), 0.076" (1.93 MM) THICK
 3/4" x 3/4" (19.0 MM x 19.0 MM), 0.076" (1.93 MM) THICK
 1" x 1" (25.4 MM x 25.4 MM), 0.060" (1.52 MM) THICK
 1" x 1 1/2" (25.4 MM x 38.1 MM), 0.060" (1.52 MM) THICK
 1 1/2" x 1 1/2" (38.1 MM x 38.1 MM), 0.060" (1.52 MM) THICK
- FINISH LEGEND:
 (MF) MILL FINISH-NATURAL ALUMINUM
 (BL) BLACK DURAFLEX-ELECTROSTATICALLY APPLIED BAKED ON PAINT, MEETS AAMA 2603
- NOTES:
 1. INSTALL PER MANUFACTURER'S "INSTALLATION GUIDELINES"
 2. 8'-0" (2.44 M) SECTIONS TO INCLUDE (3) 12" (305 MM) ALUMINUM STAKES
 3. 16'-0" (4.88 M) SECTIONS TO INCLUDE (8) 12" (305 MM) ALUMINUM STAKES
 4. CORNERS: NOTCH BASE ONLY AND FORM A CONTINUOUS CORNER
 5. PERMALOC PERMASTRIP AS MANUFACTURED BY PERMALOC CORPORATION, HOLLAND MI, (800) 356-9660, (616) 399-9600
 6. CONTRACTOR'S NOTE: FOR PRODUCT AND PURCHASING INFORMATION VISIT: WWW.PERMALOC.COM



9 ALUMINUM EDGING (SOUTH COURTYARD)
 SCALE: N.T.S.



10 RAISED GARDEN BED
 SCALE: N.T.S.



11 DOWN SPOUT SPLASH PAD (NORTH COURTYARD)
 SCALE: N.T.S.

PRELIMINARY - NOT FOR CONSTRUCTION



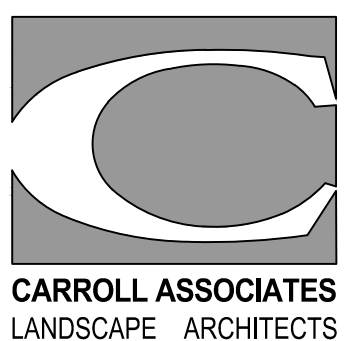
APPLICANT:
 MOTHERHOUSE ASSOCIATES LP
 100 COMMERCIAL STREET SUITE 414
 PORTLAND, ME 04101
 207.772.7673

MOTHERHOUSE SENIOR HOUSING

Revisions	Date	Description
1	07/28/2015	SUBMISSION TO CITY
2	11/20/2015	50% SUBMISSION
3	02/15/2016	90% MSHA SUBMISSION

LANDSCAPE DETAILS

Phase: CONSTRUCTION



CARROLL ASSOCIATES LANDSCAPE ARCHITECTS
 217 COMMERCIAL STREET, STE 200
 PORTLAND, MAINE 04101
 207.772.1552 V. F. 207.772.0172

Date: JUNE 24, 2015

Sheet No:

L4.0