

FIG. 302.3 - OPENINGS IN FLOOR OR GROUND SURFACES

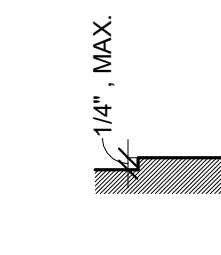


FIG. 303.2 - VERTICAL CHANGES IN LEVEL

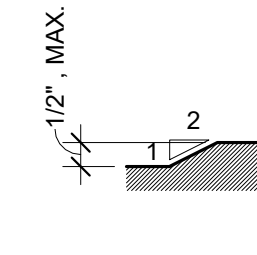


FIG. 303.3 - BEVELED CHANGES IN LEVEL

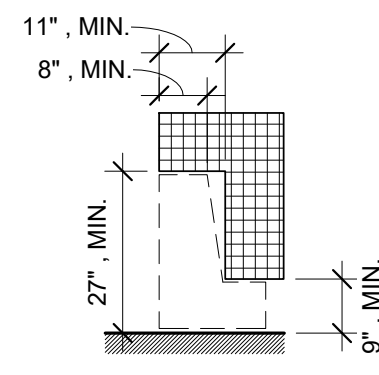


FIG. 306.3 - KNEE CLEARANCE

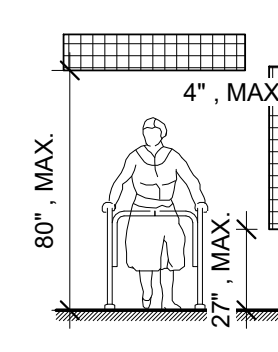


FIG. 307.2 - LIMITS OF PROTRUDING OBJECTS

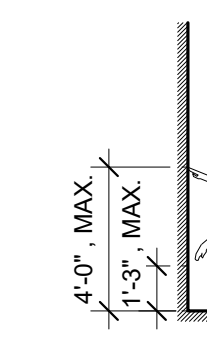


FIG. 308.2.1 - UNOBSTRUCTED FORWARD REACH

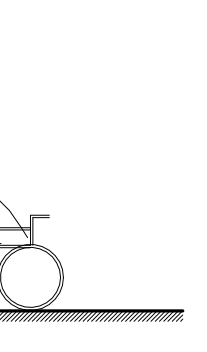


FIG. 308.2.2 - OBSTRUCTED HIGH FORWARD REACH

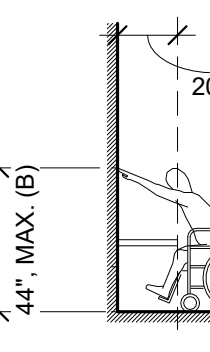


FIG. 308.3.1 - UNOBSTRUCTED SIDE REACH

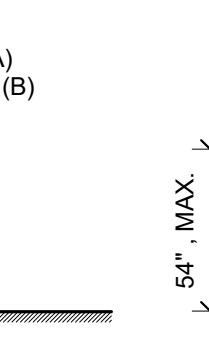
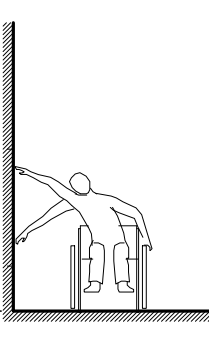


FIG. 308.3.2 - OBSTRUCTED SIDE REACH



FIRE EXTINGUISHING CABINET MOUNTING HEIGHT

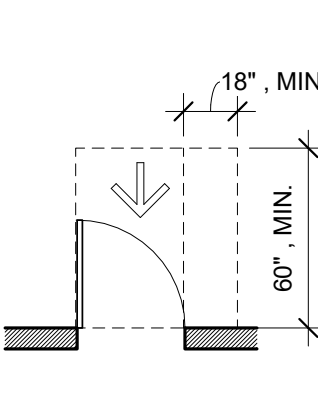


FIG. 404.2.4.1 - MANEUVERING CLEARANCE AT SWING DOOR

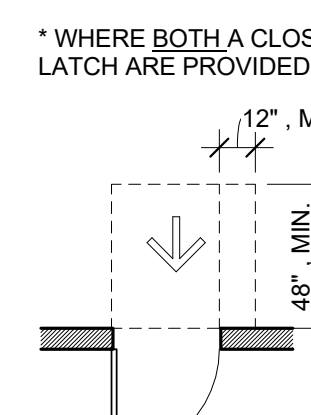


FIG. 404.2.4.1 - MANEUVERING CLEARANCE AT SWING DOOR

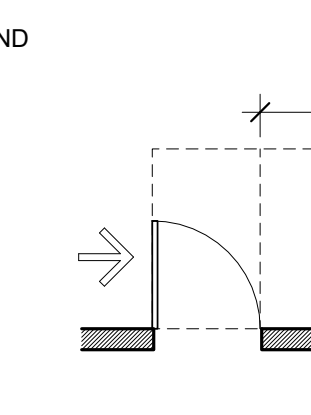


FIG. 404.2.4.1 - MANEUVERING CLEARANCE AT SWING DOOR

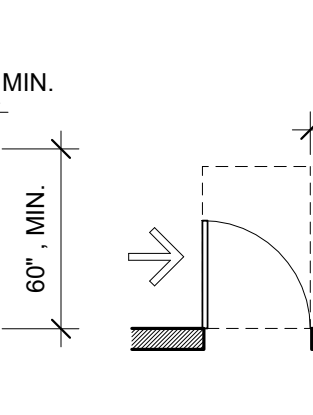


FIG. 404.2.4.1 - MANEUVERING CLEARANCE AT SWING DOOR

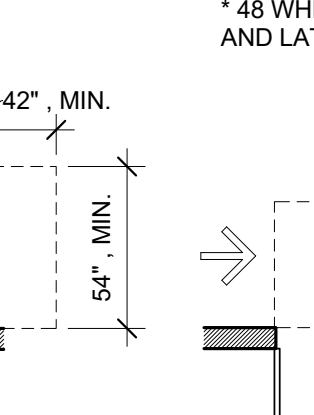


FIG. 404.2.4.1 - MANEUVERING CLEARANCE AT SWING DOOR

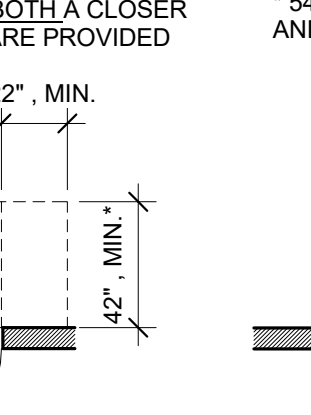


FIG. 404.2.4.1 - MANEUVERING CLEARANCE AT SWING DOOR

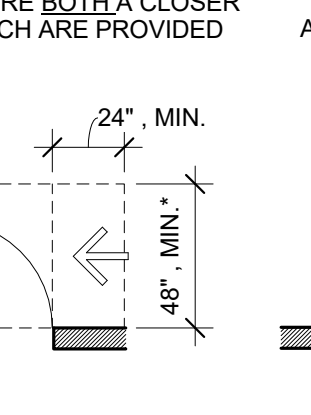


FIG. 404.2.4.1 - MANEUVERING CLEARANCE AT SWING DOOR

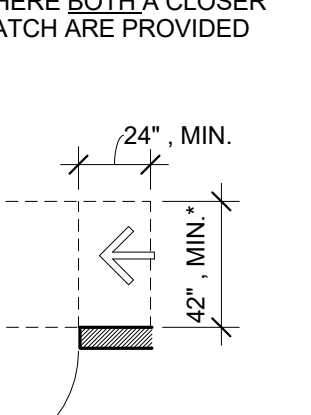


FIG. 404.2.4.1 - MANEUVERING CLEARANCE AT SWING DOOR

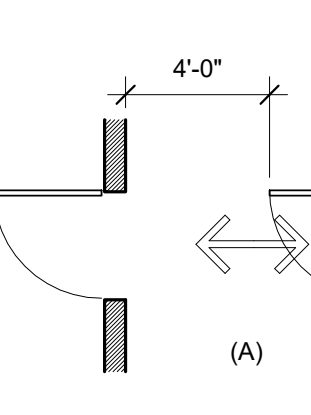


FIG. 404.2.6 - TWO DOORS IN A SERIES

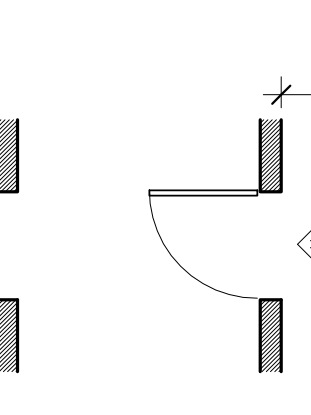


FIG. 407.2.2 - ELEV. CALL BUTTONS

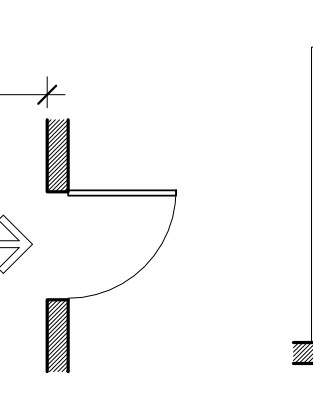


FIG. 407.2.3.1 - HEIGHT OF ELEV. VISIBLE SIGNALS

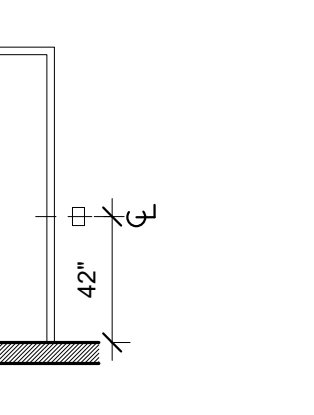


FIG. 407.2.3.2.2 - SIZE OF ELEV. VISIBLE SIGNALS

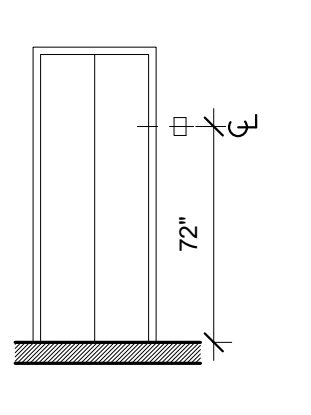


FIG. 407.2.4 - TACTILE CHARACTERS ON ELEV. HOISTWAY ENTRANCES

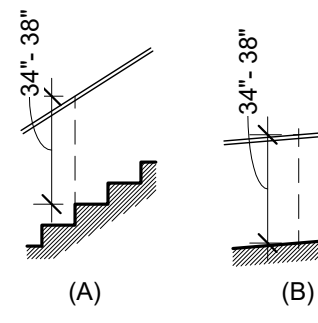


FIG. 505.4 - HANDRAIL HEIGHT

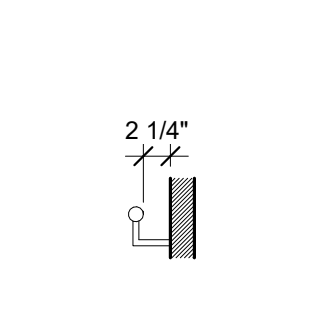


FIG. 505.5 - HANDRAIL CLEARANCE

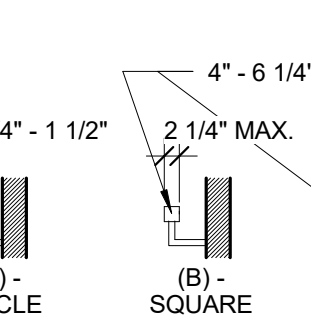


FIG. 505.7 - HANDRAIL CROSS SECTION

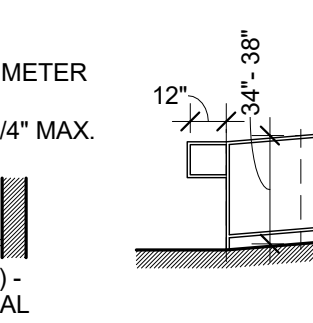


FIG. 505.10.1 - TOP AND BOTTOM HANDRAIL EXTENSIONS AT RAMP

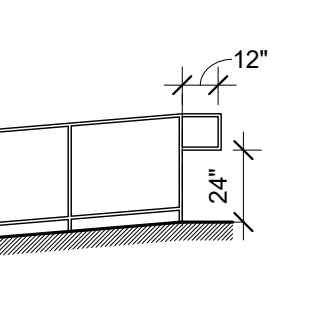


FIG. 505.10.2 - TOP HANDRAIL EXTENSION AT STAIRS



FIG. 505.10.3 - TOP HANDRAIL EXTENSION AT STAIRS

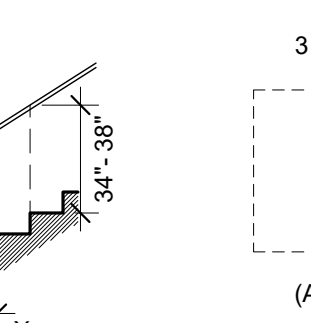


FIG. 602.5 - DRINKING FOUNTAIN SPOUT LOCATION

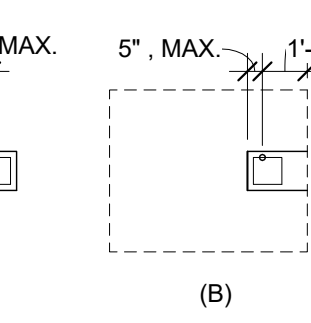


FIG. 604.2 - WATER CLOSET LOCATION

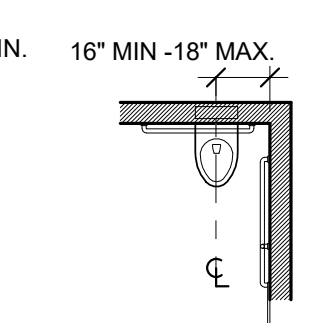


FIG. 604.3.1 - SIZE OF CLEARANCE FOR WATER CLOSET

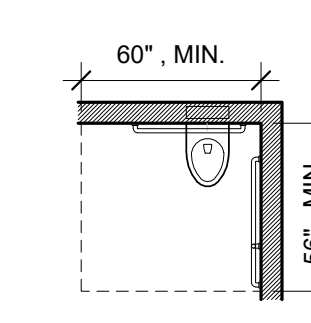


FIG. 604.4 - HEIGHT TO TOP OF SEAT

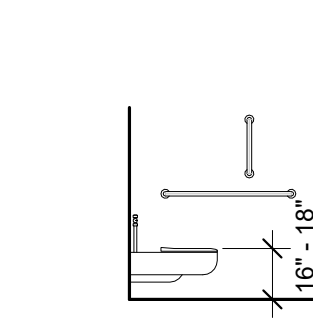


FIG. 604.5.1 - SIDE WALL GRAB BAR FOR WATER CLOSET

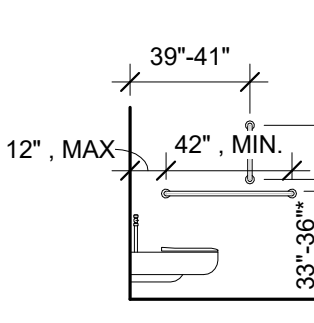


FIG. 604.5.2 - REAR WALL GRAB BAR FOR WATER CLOSET

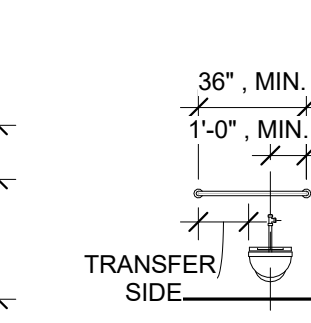


FIG. 604.7 - DISPENSER LOCATION

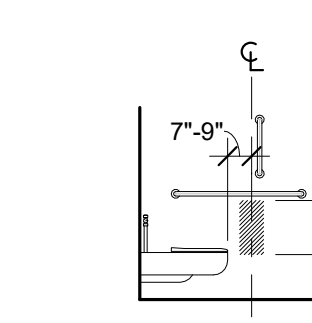


FIG. 605.2 - HEIGHT OF URINALS

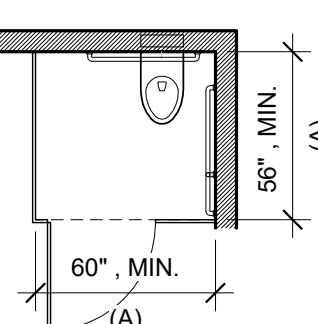


FIG. 604.8.1.1 - WHEELCHAIR ACCESSIBLE TOILET COMPARTMENTS

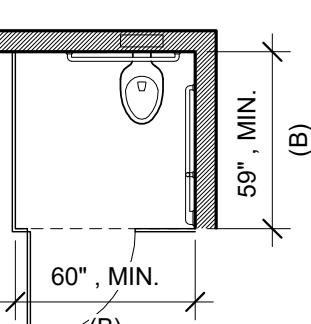


FIG. 604.8.1.1 - WHEELCHAIR ACCESSIBLE TOILET COMPARTMENTS

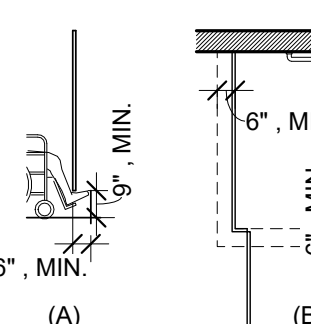


FIG. 604.8.1.4 - TOILET COMPARTMENT TOES CLEARANCE

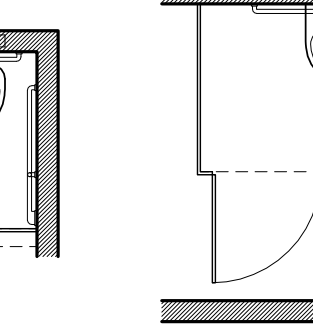


FIG. 604.8.3 - TOILET COMPARTMENT DOORS

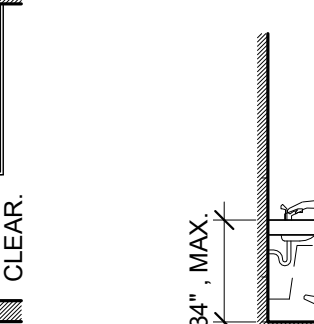


FIG. 606.3 - HEIGHT OF LAVATORIES AND SINKS

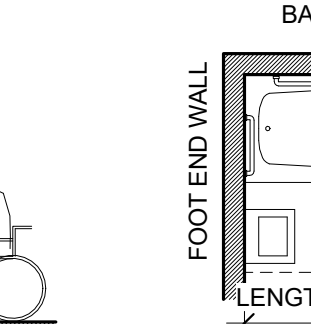


FIG. 607.2 - CLEARANCE FOR BATHTUBS

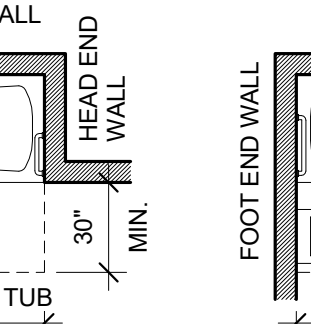


FIG. 607.4.2 - GRAB BARS FOR BATHTUB WITHOUT PERMANENT SEATS

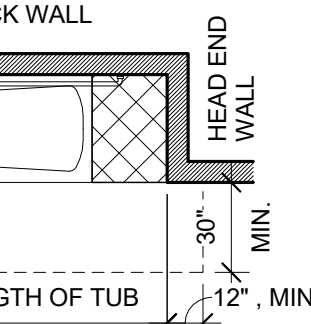


FIG. 607.4.1 - GRAB BARS FOR BATHTUB WITH PERMANENT SEATS

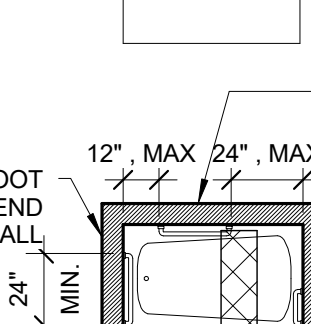


FIG. 610.2 - BATHTUB SEAT

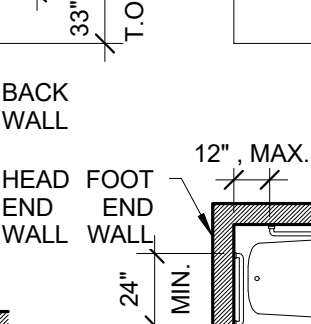


FIG. 609.2 - SIZE OF GRAB BARS

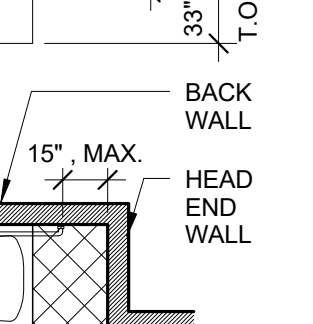


FIG. 609.3 - SPACING OF GRAB BARS

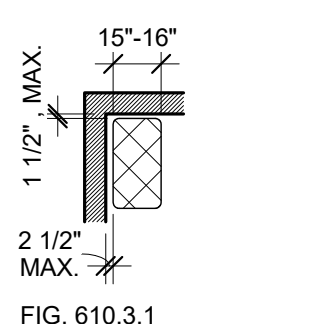


FIG. 610.3.1 - RECTANGULAR SHOWER COMPARTMENT SEAT

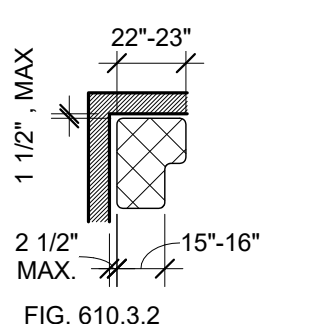


FIG. 610.3.2 - L-SHAPED SHOWER COMPARTMENT SEAT

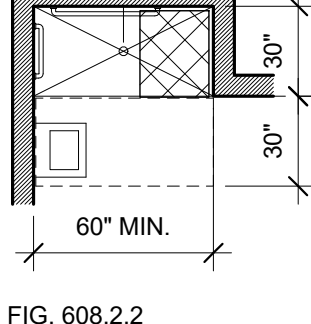


FIG. 608.2.2 - STANDARD ROLL-IN-TYPE SHOWER COMPARTMENT

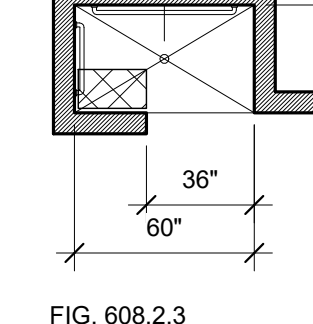


FIG. 608.2.3 - ALTERNATE ROLL-IN-TYPE SHOWER COMPARTMENT

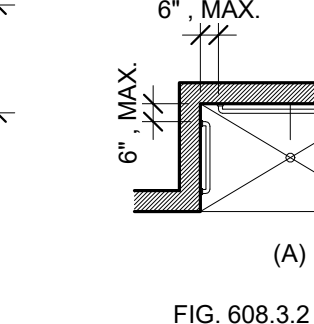


FIG. 608.3.2 - GRAB BARS IN ROLL-IN-TYPE SHOWER

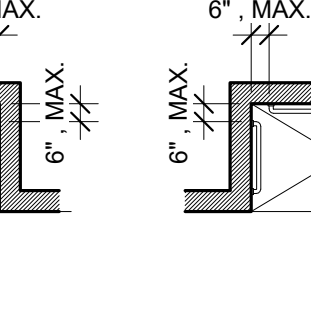


FIG. 608.2.1 - TRANSFER-TYPE SHOWER COMPARTMENT

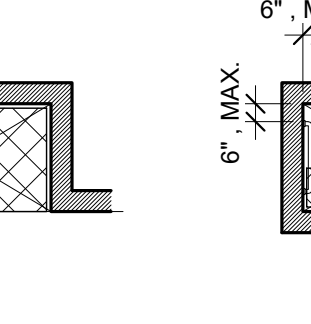


FIG. 608.3.1 - GRAB BARS IN TRANSFER-TYPE SHOWERS

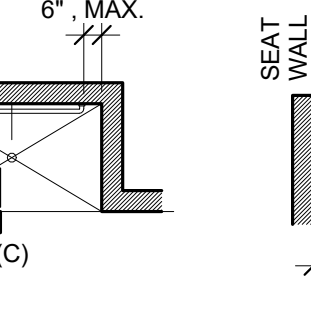


FIG. 608.3.5 - CONTROLS IN TRANSFER-TYPE SHOWERS

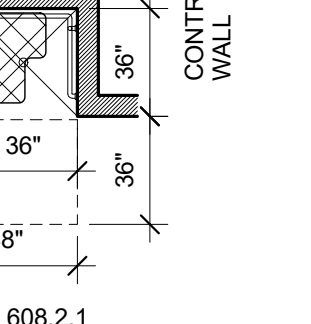


FIG. 608.3.5 - CONTROLS IN TRANSFER-TYPE SHOWERS

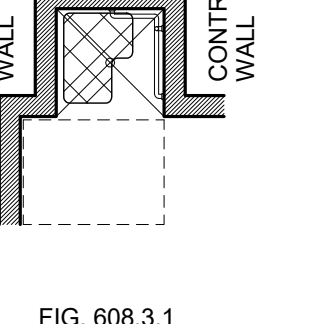


FIG. 608.3.5 - CONTROLS IN TRANSFER-TYPE SHOWERS

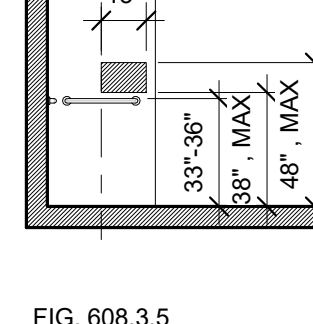


FIG. 608.3.5 - CONTROLS IN TRANSFER-TYPE SHOWERS

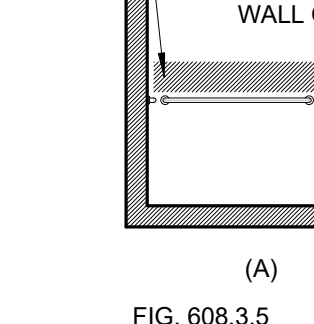


FIG. 608.3.5 - CONTROLS IN TRANSFER-TYPE SHOWERS

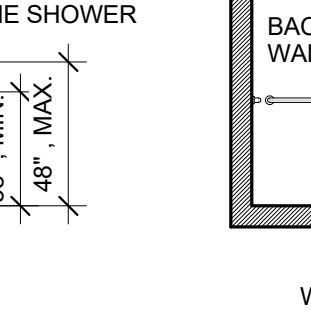


FIG. 608.3.5 - CONTROLS IN TRANSFER-TYPE SHOWERS

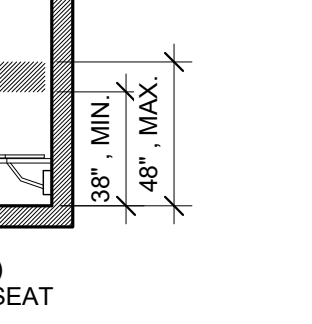
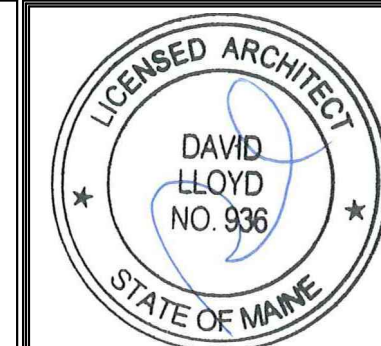


FIG. 608.3.5 - CONTROLS IN TRANSFER-TYPE SHOWERS



Prepared For:
MOTHERHOUSE LLC
P.O. Box 7486
Portland, ME 04112

Consultant:
ARCHETYPE architects
48 Union Wharf Portland, Maine 04101
(207) 772-0022 ARCHETYPE@ARCHETYPEA.COM

Architect:
MOTHERHOUSE SENIOR HOUSING
605 STEVENS AVENUE
PORTLAND, MAINE 04103

Project:
MOTHERHOUSE SENIOR HOUSING

Date: 15 FEB 2016
Scale: As indicated
ACCESSIBILITY STANDARDS

AS1.1