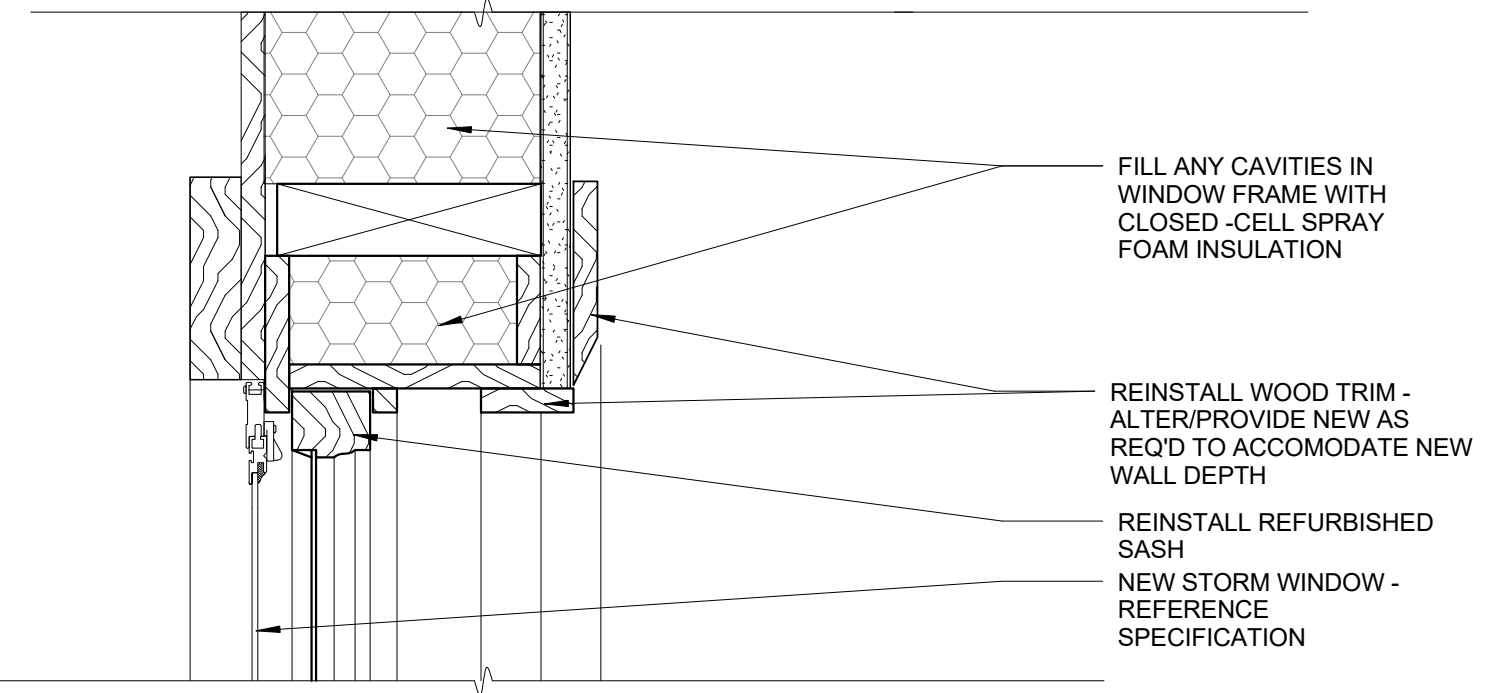
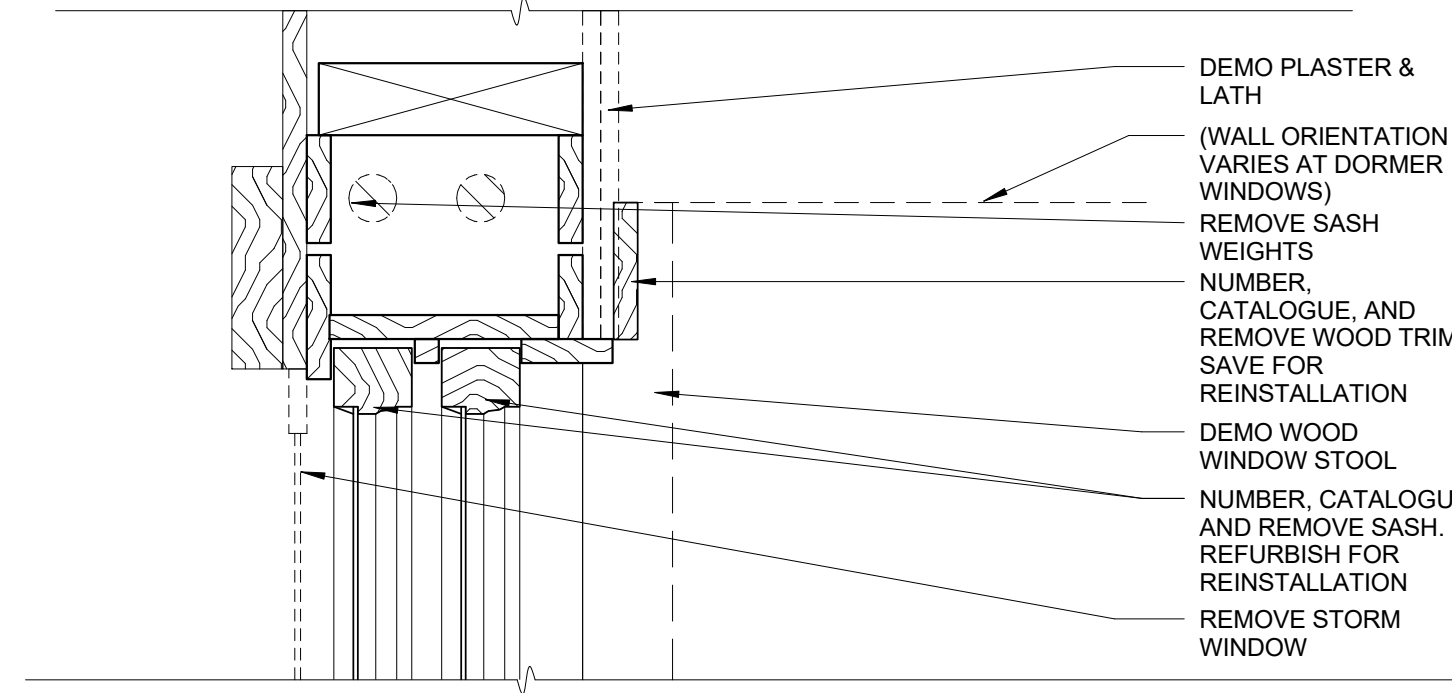


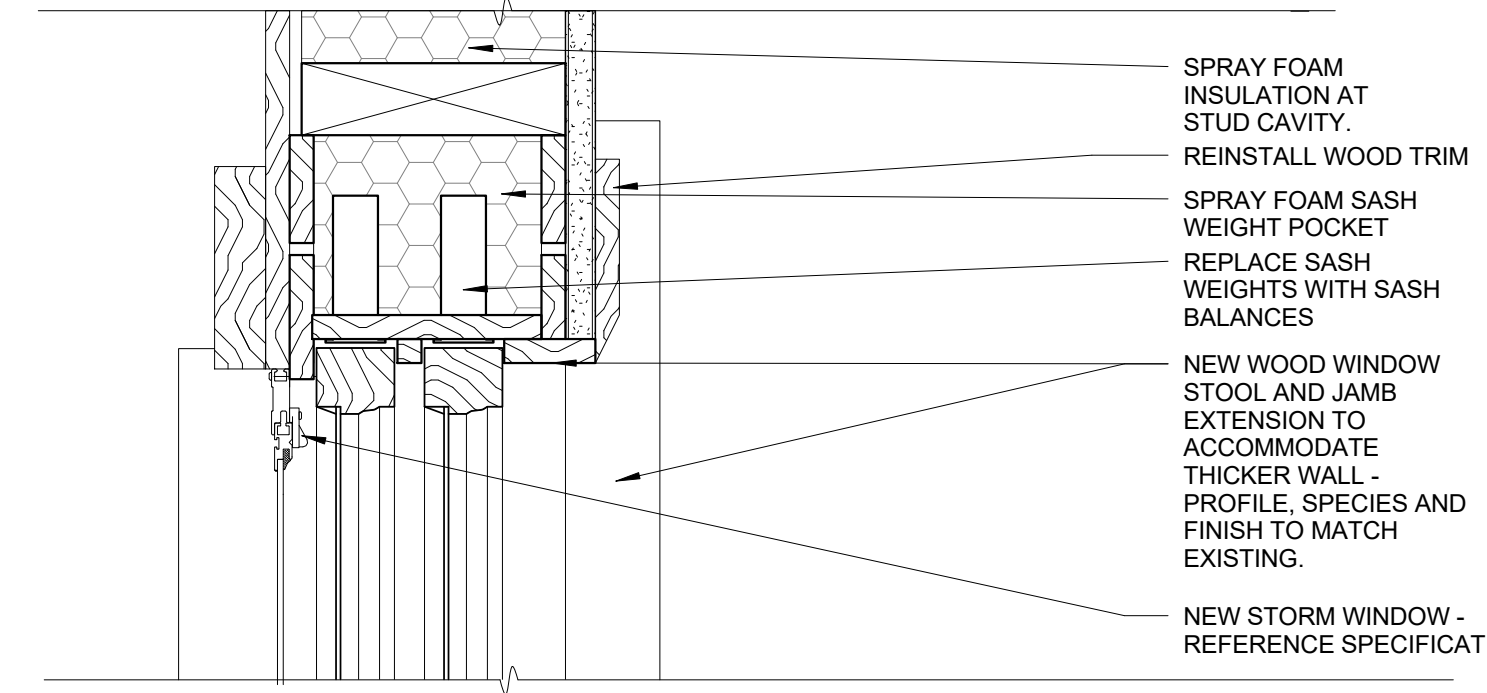
EXISTING WINDOW HEAD



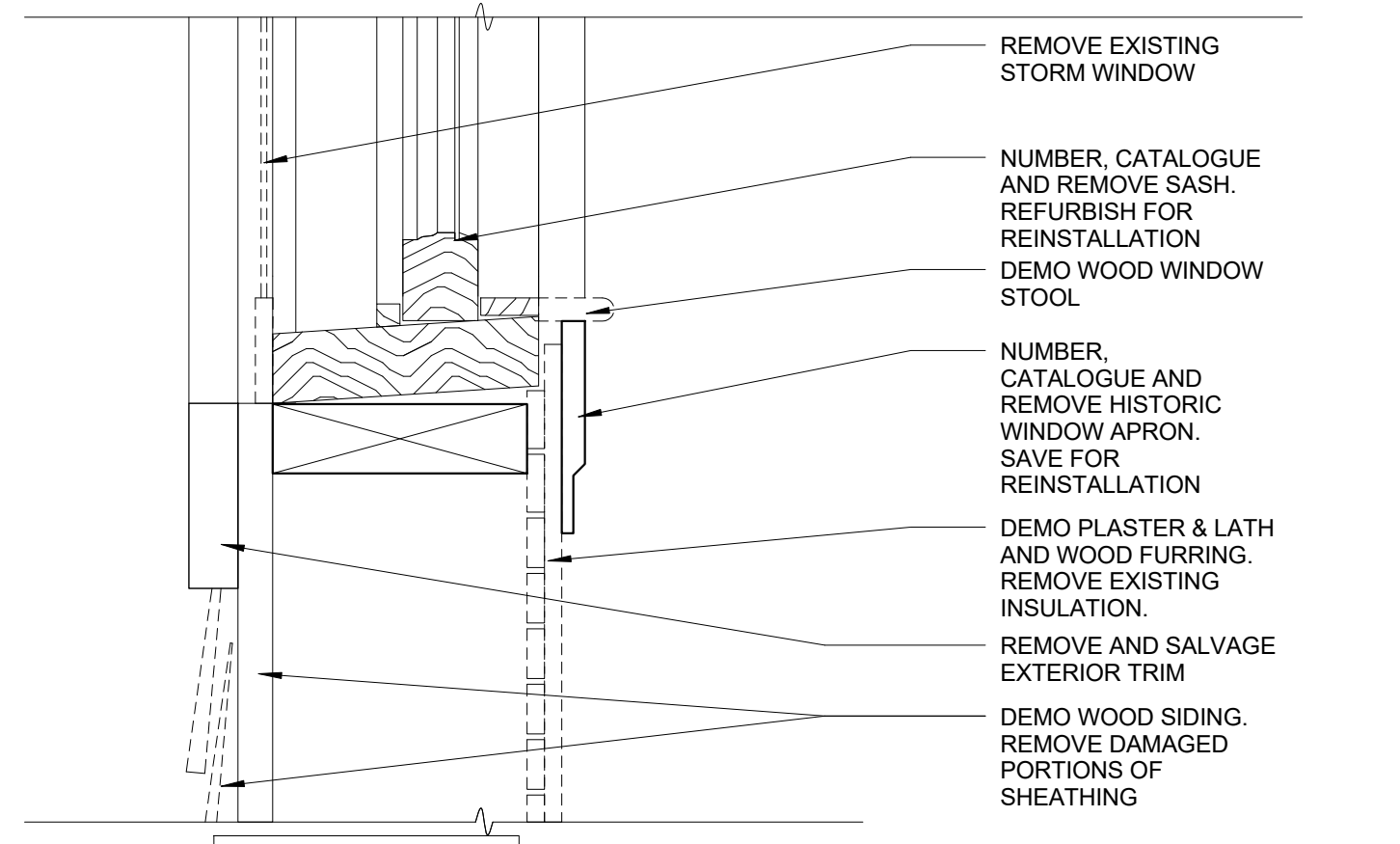
2C - NEW WINDOW HEAD



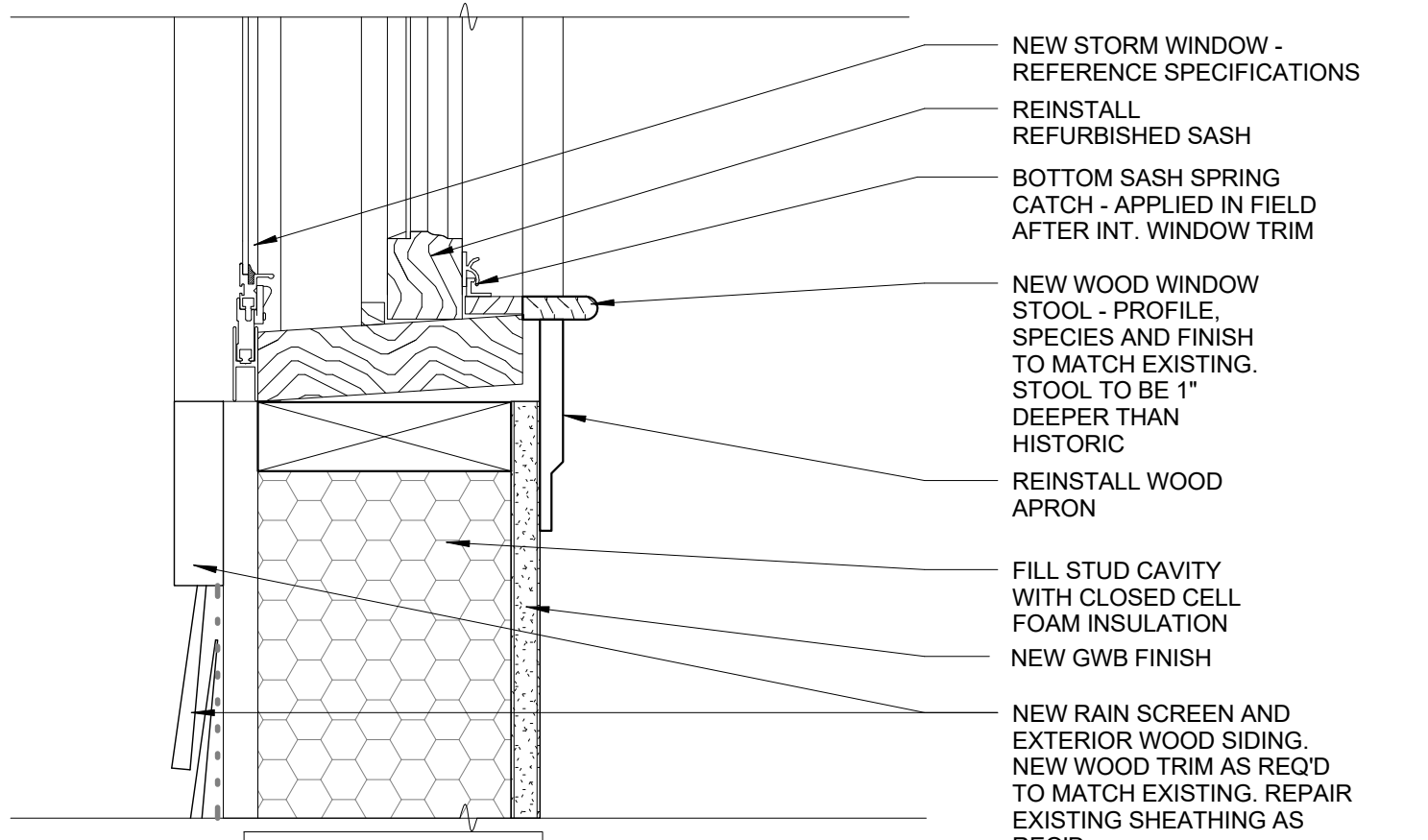
EXISTING WINDOW JAMB



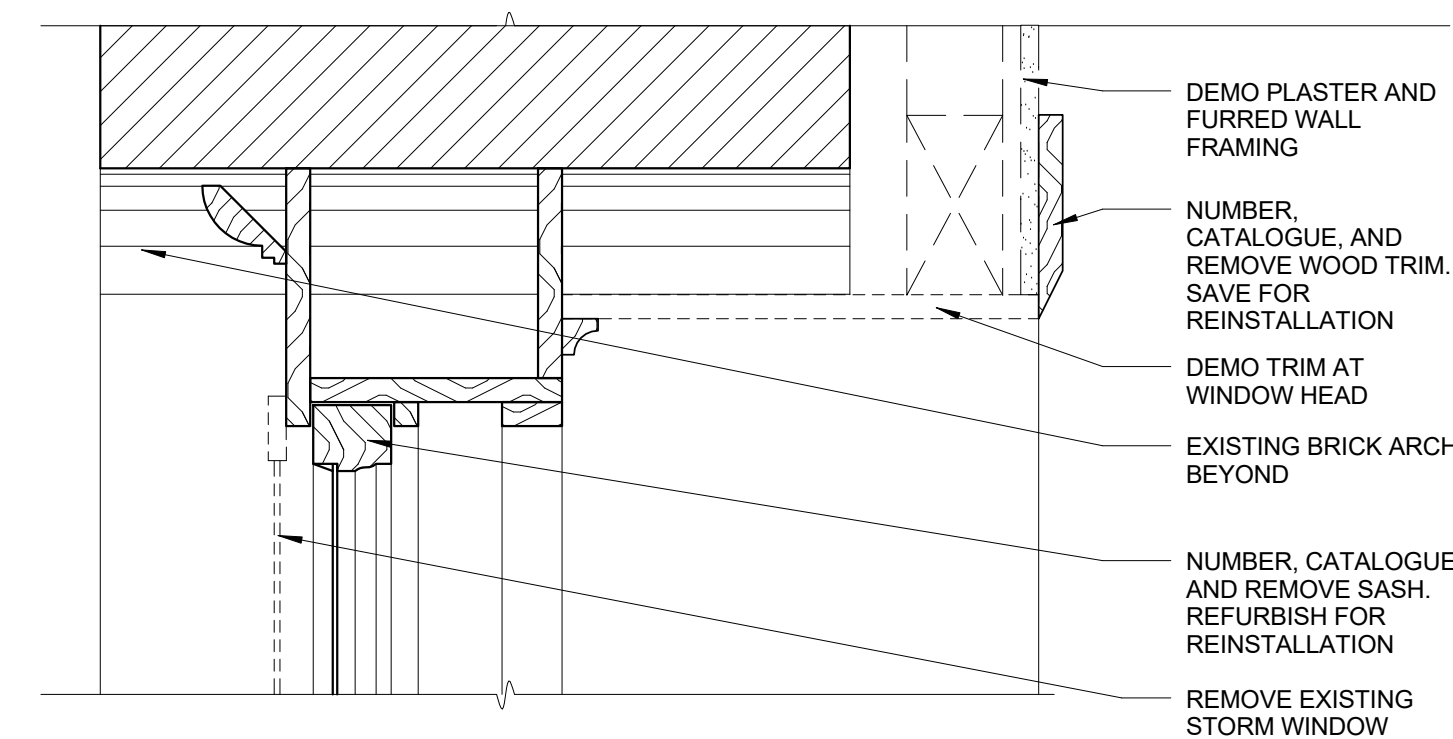
2B - NEW WINDOW JAMB



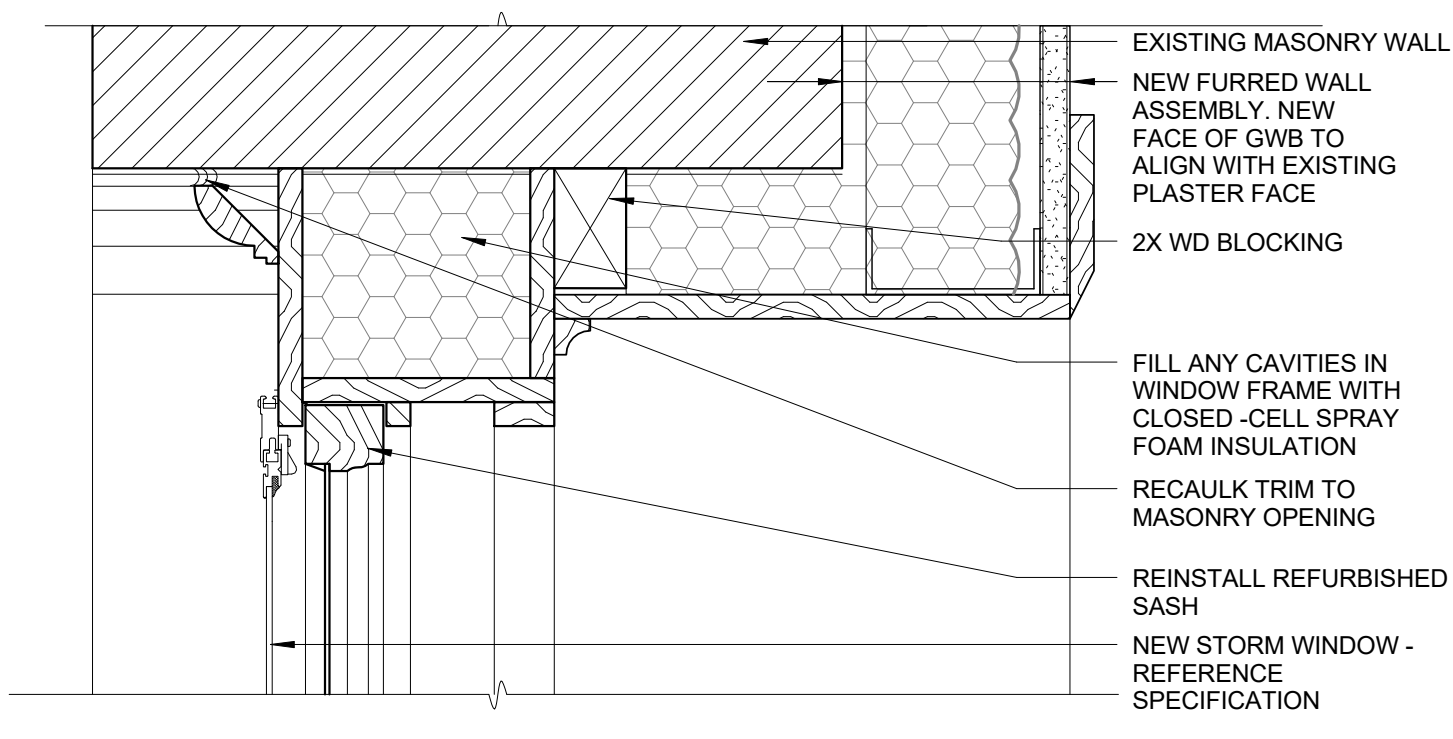
EXISTING WINDOW SILL



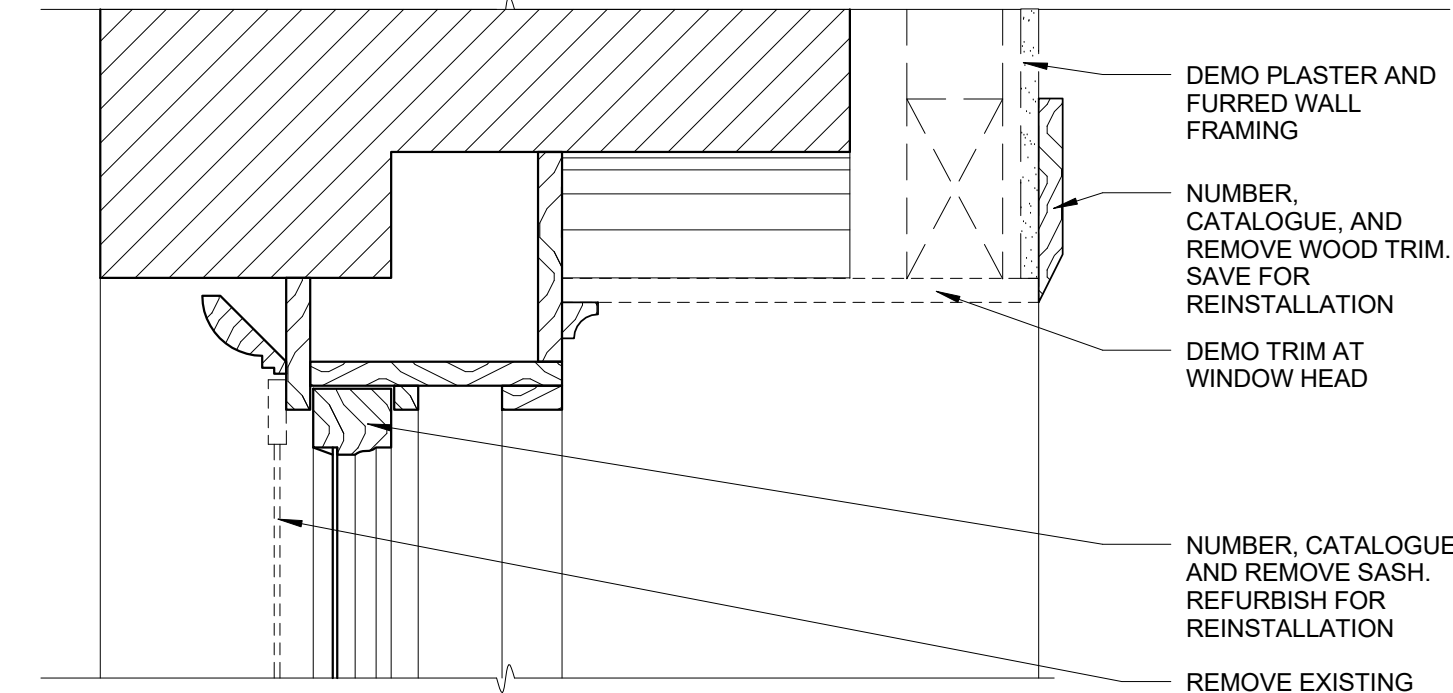
1A - NEW WINDOW SILL



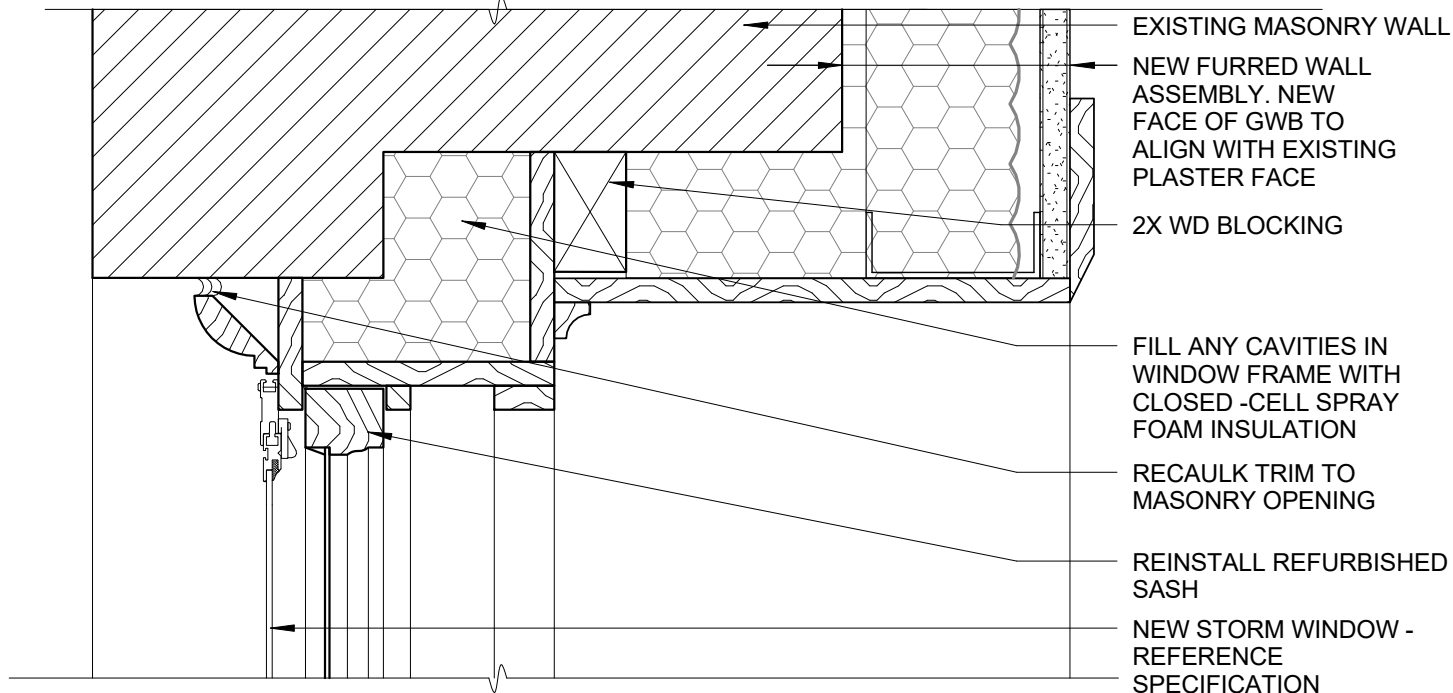
EXISTING WINDOW HEAD



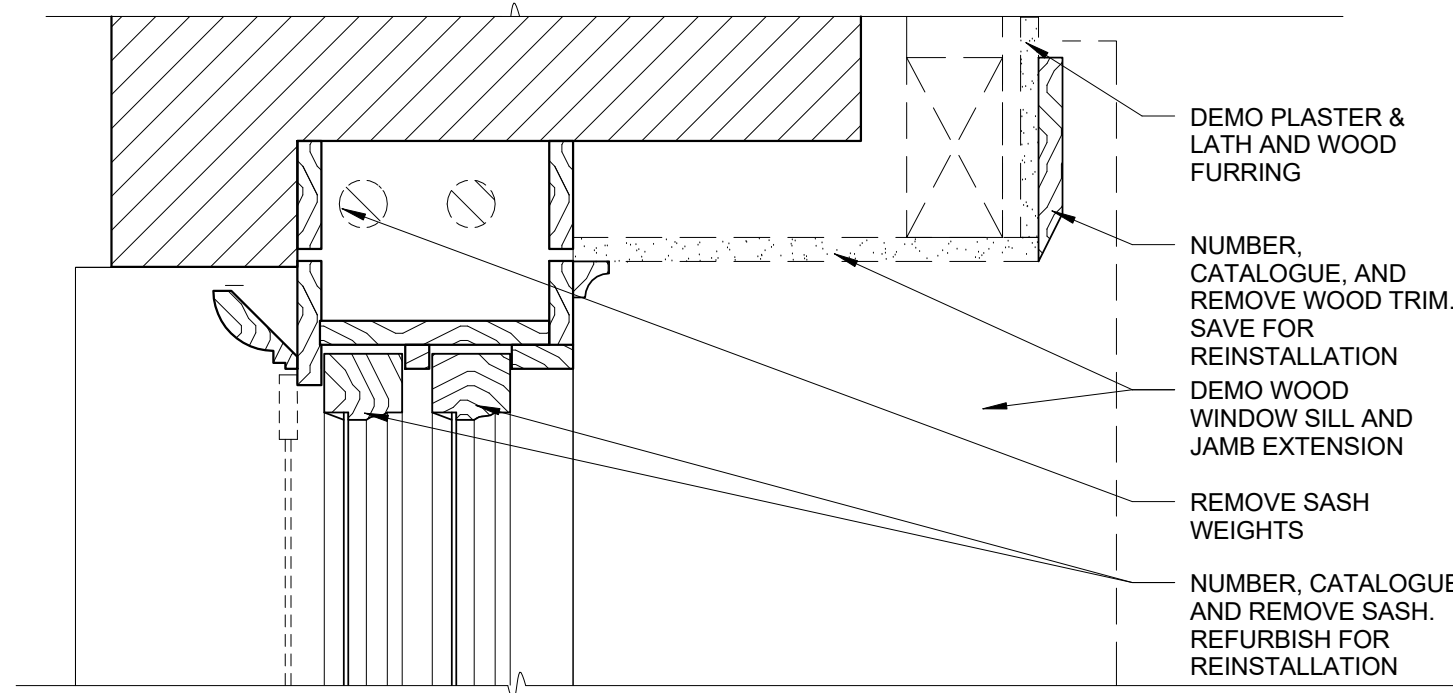
1D - NEW WINDOW HEAD



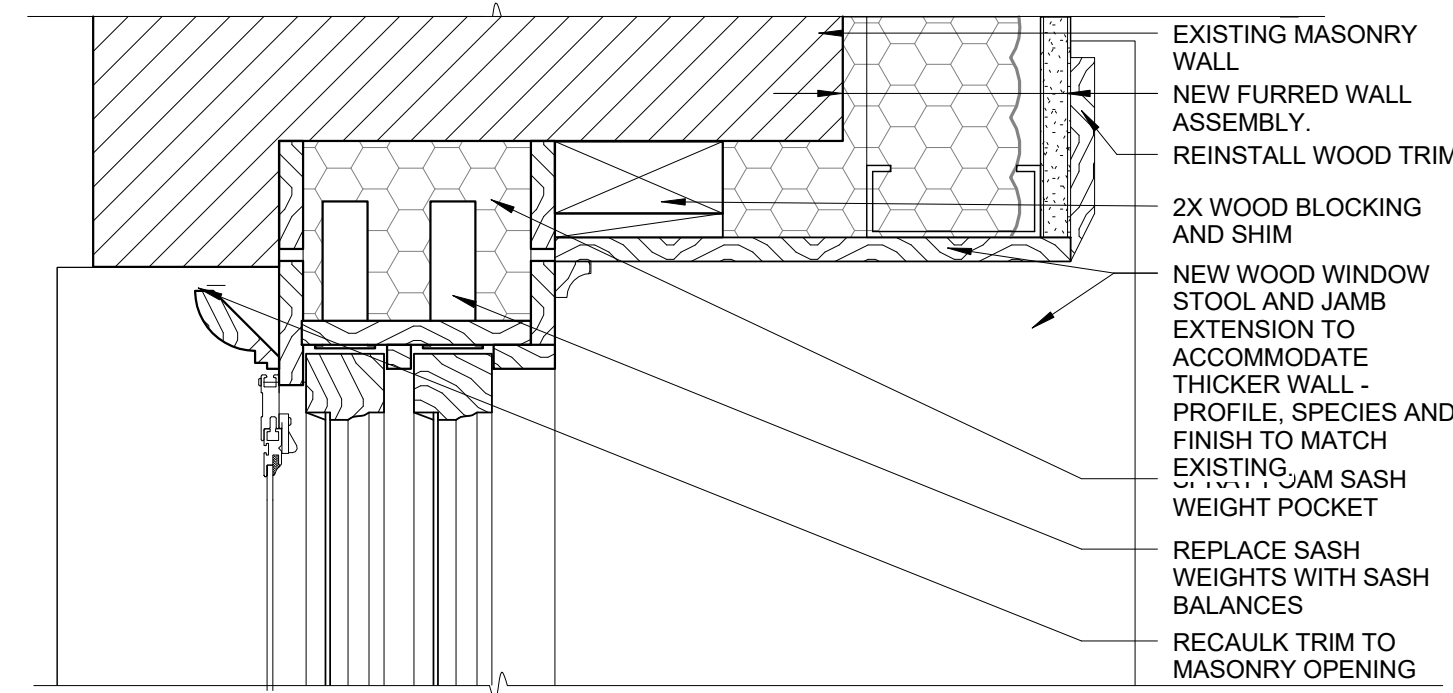
EXISTING WINDOW HEAD



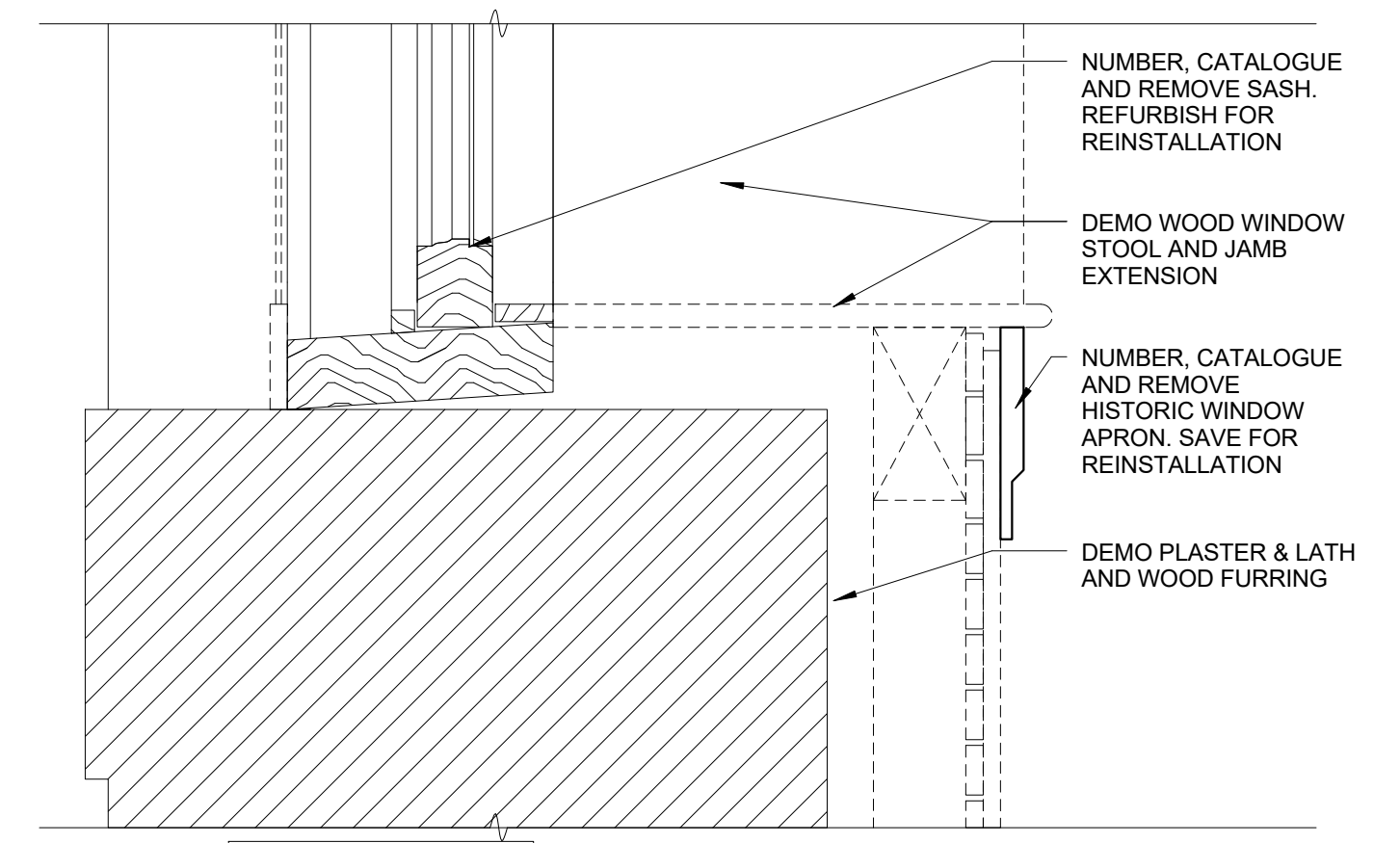
1C - NEW WINDOW HEAD



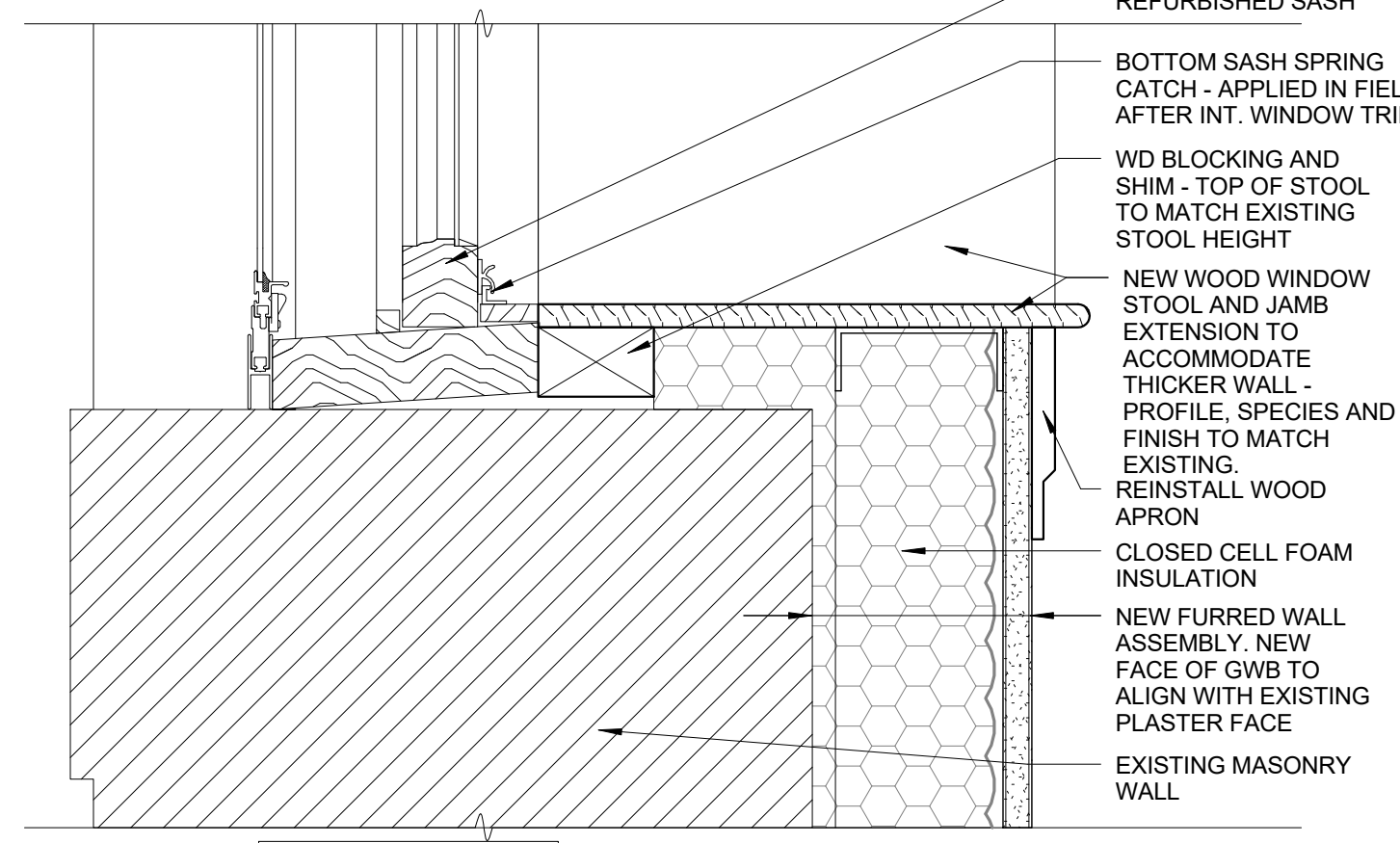
EXISTING WINDOW JAMB



1B - NEW WINDOW JAMB



EXISTING WINDOW SILL



1A - NEW WINDOW SILL