

Prepared For:
**MOTHERHOUSE
LLC**

Consultant:

Architect:
**ARCHETYPE
a r c h i t e c t s**
48 Union Wharf Portland, Maine 04101
(207) 774-0022 ARCHETYPE@ARCHETYPEPA.COM

Project:
**MOTHERHOUSE
SENIOR HOUSING**
605 STEVENS AVENUE
PORTLAND, MAINE 04103

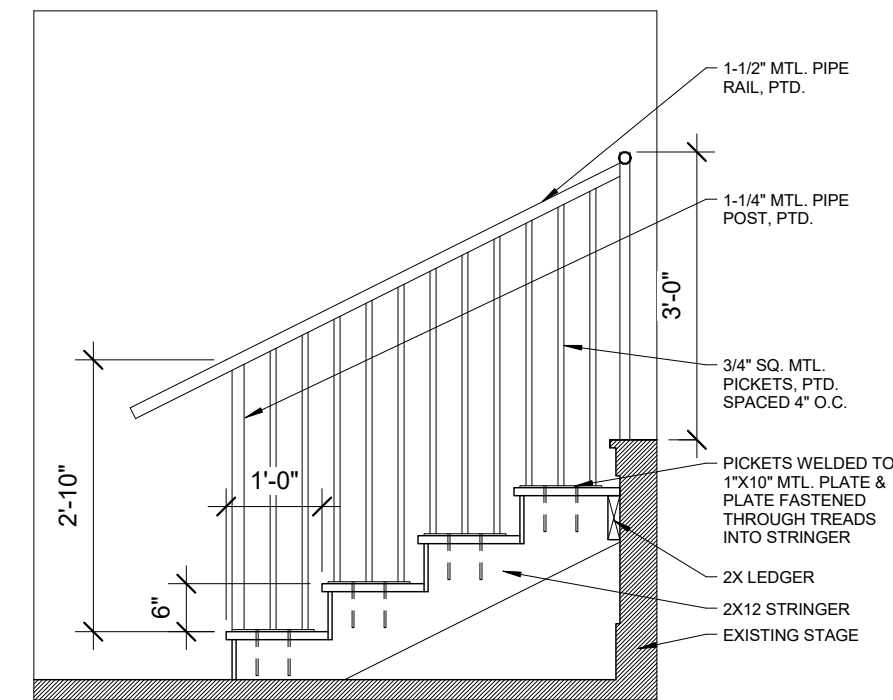
Revisions:

Date:
15 FEB 2016

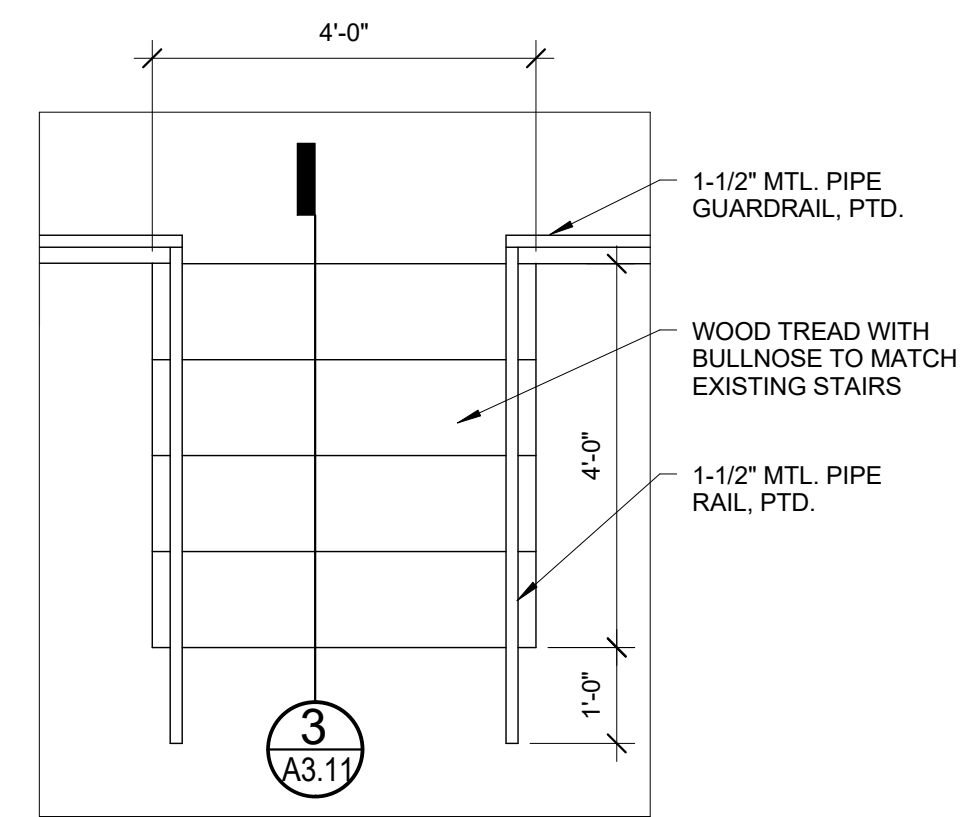
Scale:
As indicated

STAIR DETAILS

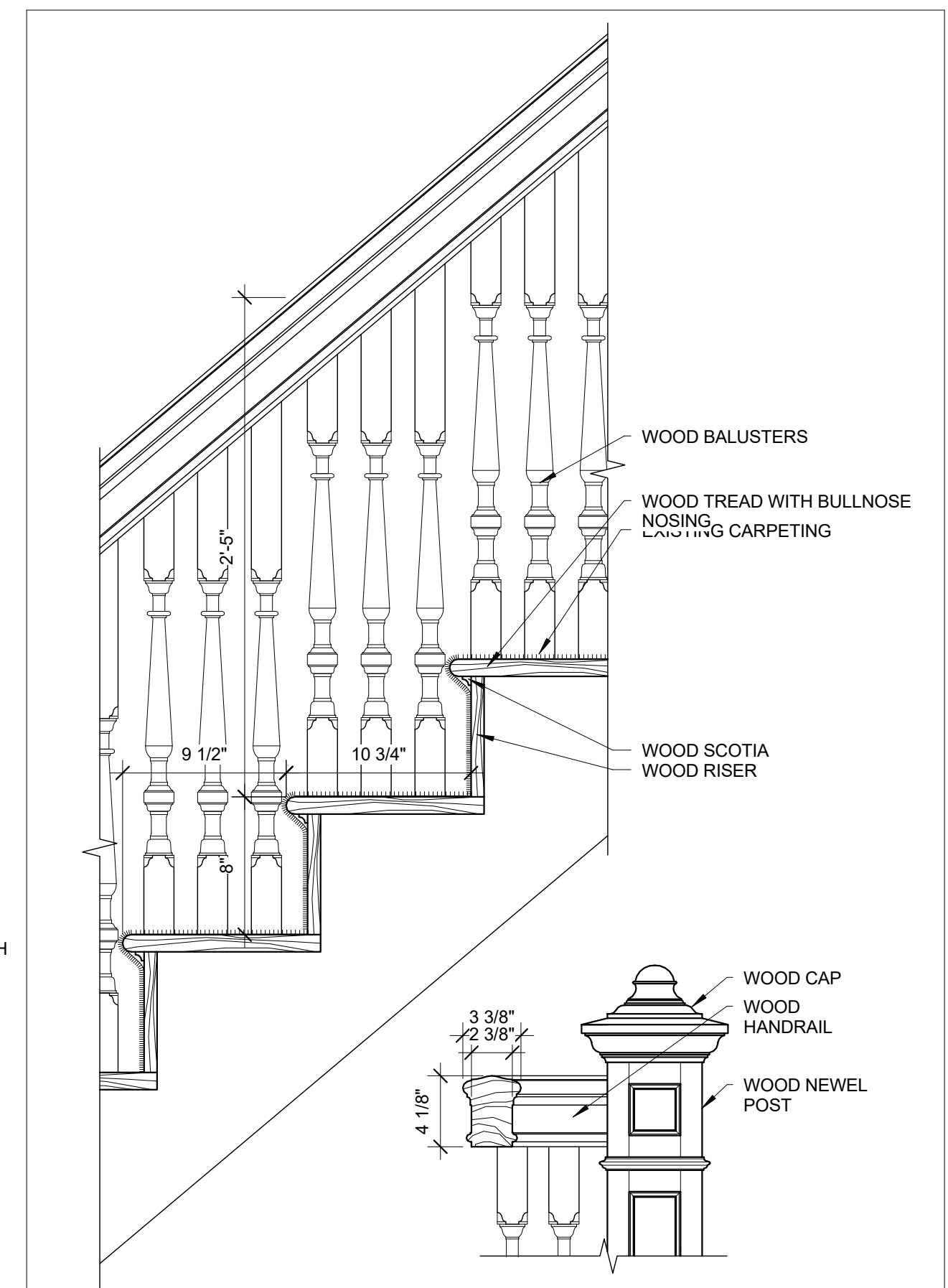
A3.11



3 | COMMUNITY ROOM STAIR SECTION
1/2" = 1'-0"



2 | COMMUNITY ROOM STAIR PLAN
1/2" = 1'-0"



1 | EXISTING STAIR B & D DETAILS
1 1/2" = 1'-0"