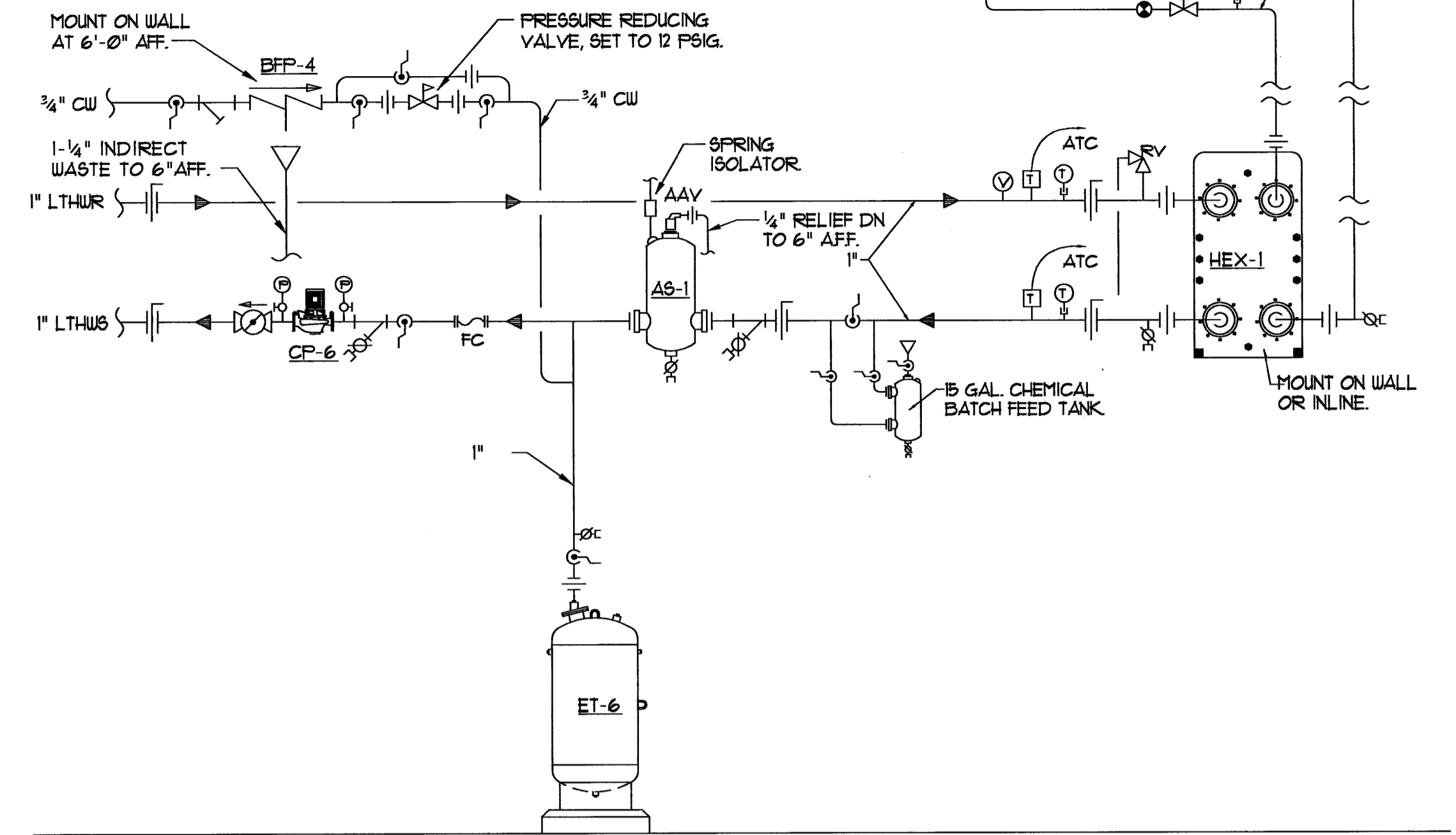


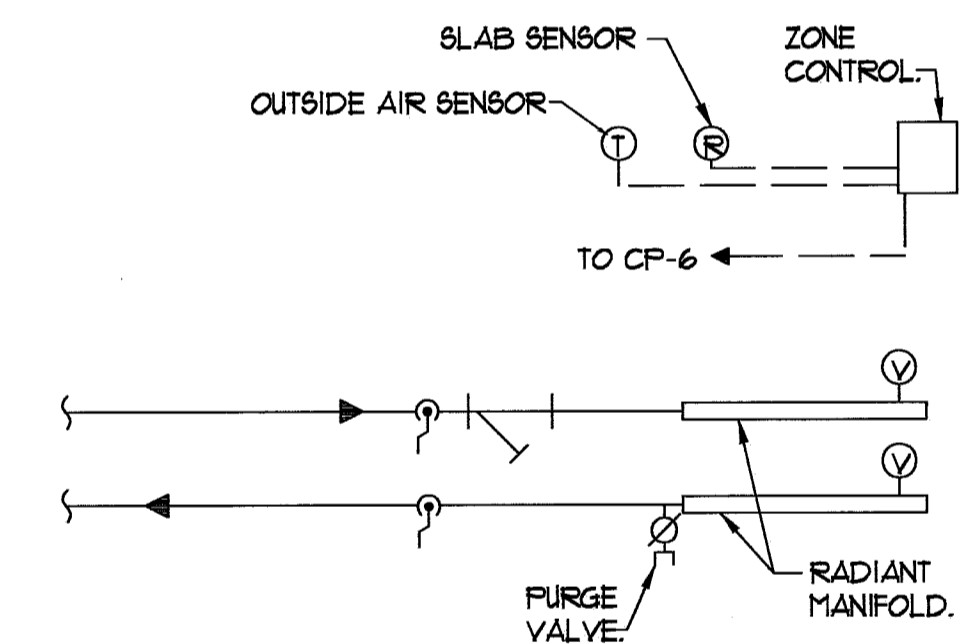
SOLAR DOMESTIC HOT WATER HEATING PIPING DIAGRAM (ALTERNATE #1)

NTS



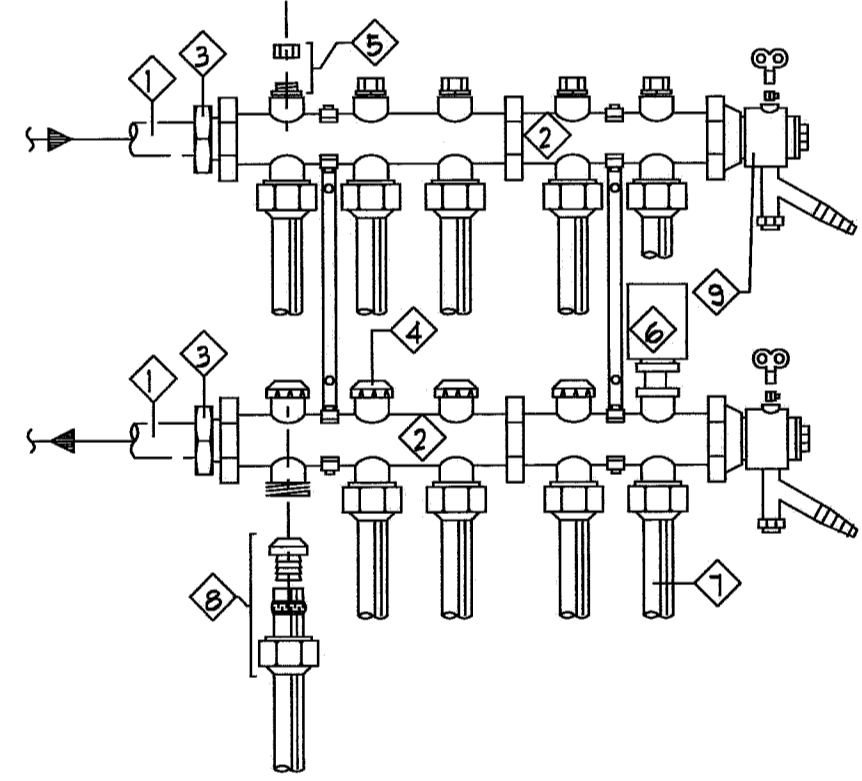
HEAT EXCHAGER PIPING SCHEMATIC

NTS



RADIANT SNOWMELT PIPING & CONTROL SCHEMATIC

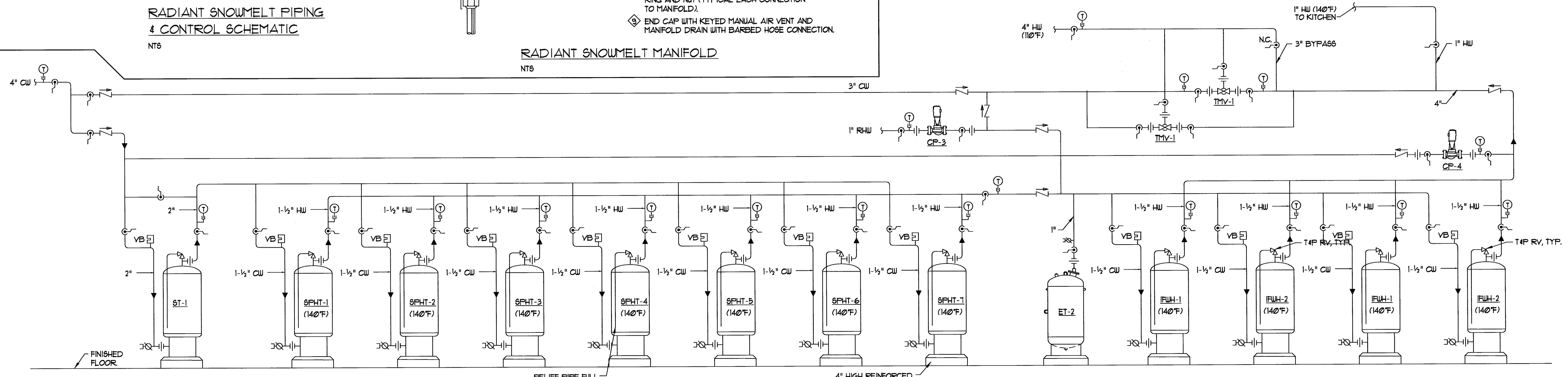
NTS



- RADIANT FLOOR MANIFOLD COMPONENT LIST**
- ◆ PIPING TO RADIANT FLOOR PUMP/MIXING VALVE STATION.
 - ◆ MANIFOLD BODY - FURNISHED IN PRE MANUFACTURED SECTIONS OF 2 & 3 SECTIONS. MAXIMUM NUMBER OF CIRCUITS PER MANIFOLD SHALL NOT EXCEED 10. BUSHING TO PIPING SIZE.
 - ◆ CIRCUIT ISOLATION VALVE (INTEGRAL TO MANIFOLD).
 - ◆ CIRCUIT BALANCING VALVE (INTEGRAL TO MANIFOLD).
 - ◆ ACTUATED CIRCUIT ZONE VALVE (PROVIDE AS REQUIRED).
 - ◆ RADIANT FLOOR TUBING.
 - ◆ BARBED TUBING INSERT WITH COMPRESSION RING AND NUT (TYPICAL EACH CONNECTION TO MANIFOLD).
 - ◆ END CAP WITH KEYED MANUAL AIR VENT AND MANIFOLD DRAIN WITH BARBED HOSE CONNECTION.

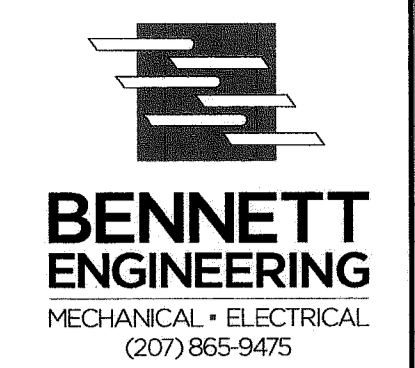
RADIANT SNOWMELT MANIFOLD

NTS



DOMESTIC HOT WATER PIPING SCHEMATIC W/ SOLAR PREHEAT (ALTERNATE #1)

NTS



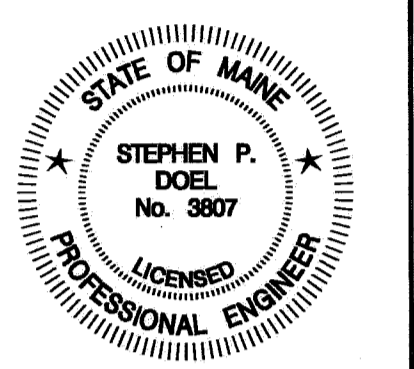
BENNETT ENGINEERING
MECHANICAL • ELECTRICAL
(207) 865-9475



CWS Architects

Architecture
Space Planning
Value Design

434 Cumberland Avenue
Portland, ME 04101
Phone: (207) 774-4441
Fax: (207) 774-4016
www.CWSarch.com



Diocesan Bureau of Housing
PO BOX 11559
Portland, Maine 04104-7559
TEL. 207-773-6471

Client:

Deering Pavilion

Portland, Maine

Project No: 08441

Drawing Title:

MECHANICAL DETAILS

Scale: As Noted
Date: May 20, 2010

- Revisions:
- ▲
 - ▲
 - ▲
 - ▲
 - ▲

Drawing Number:

M2.03