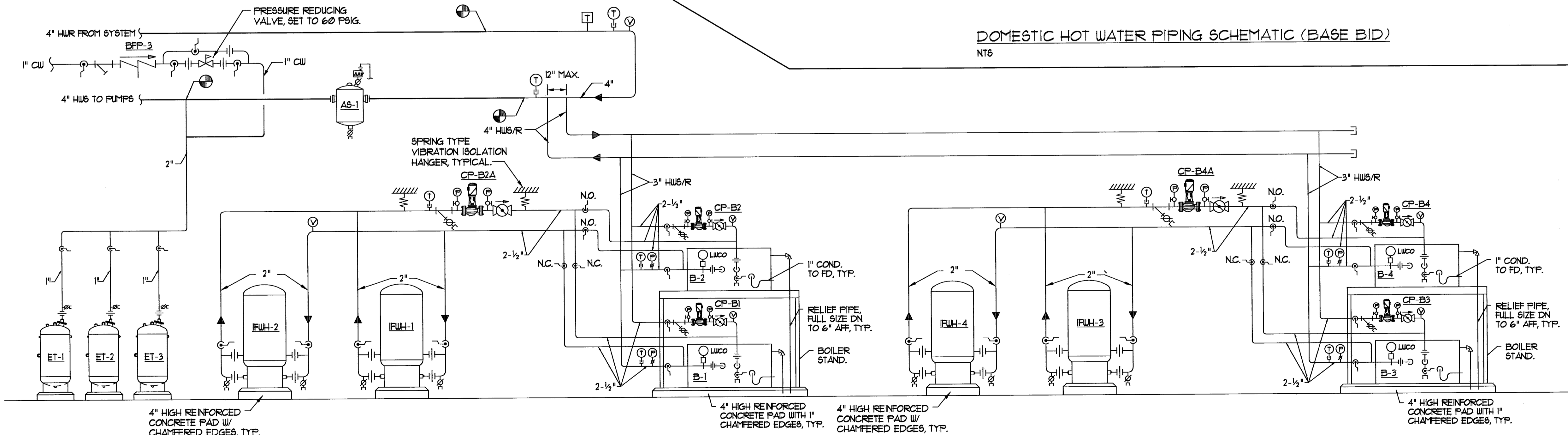
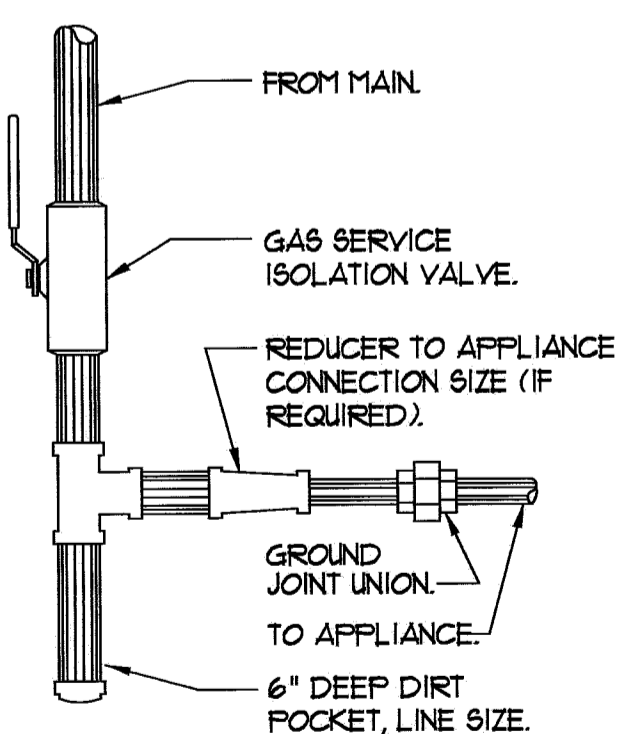
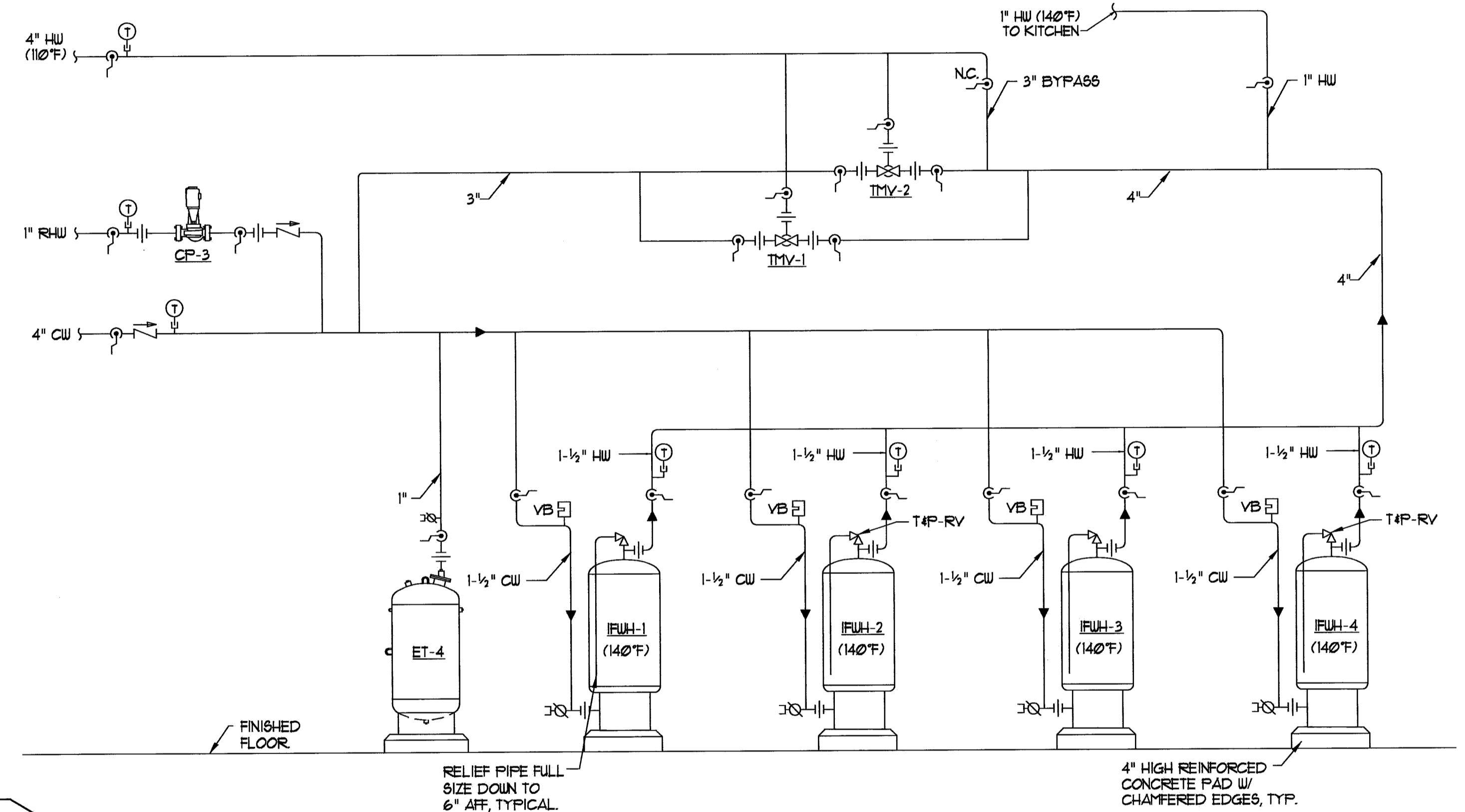
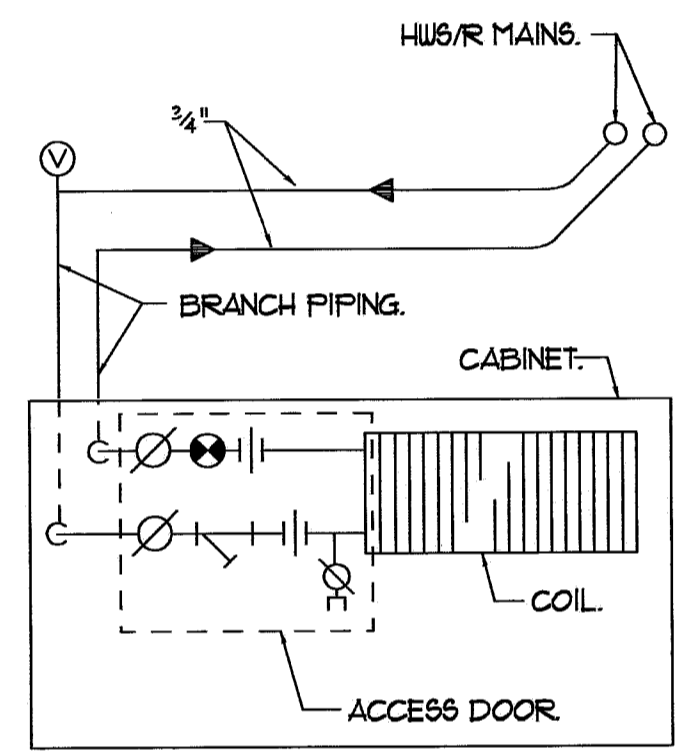
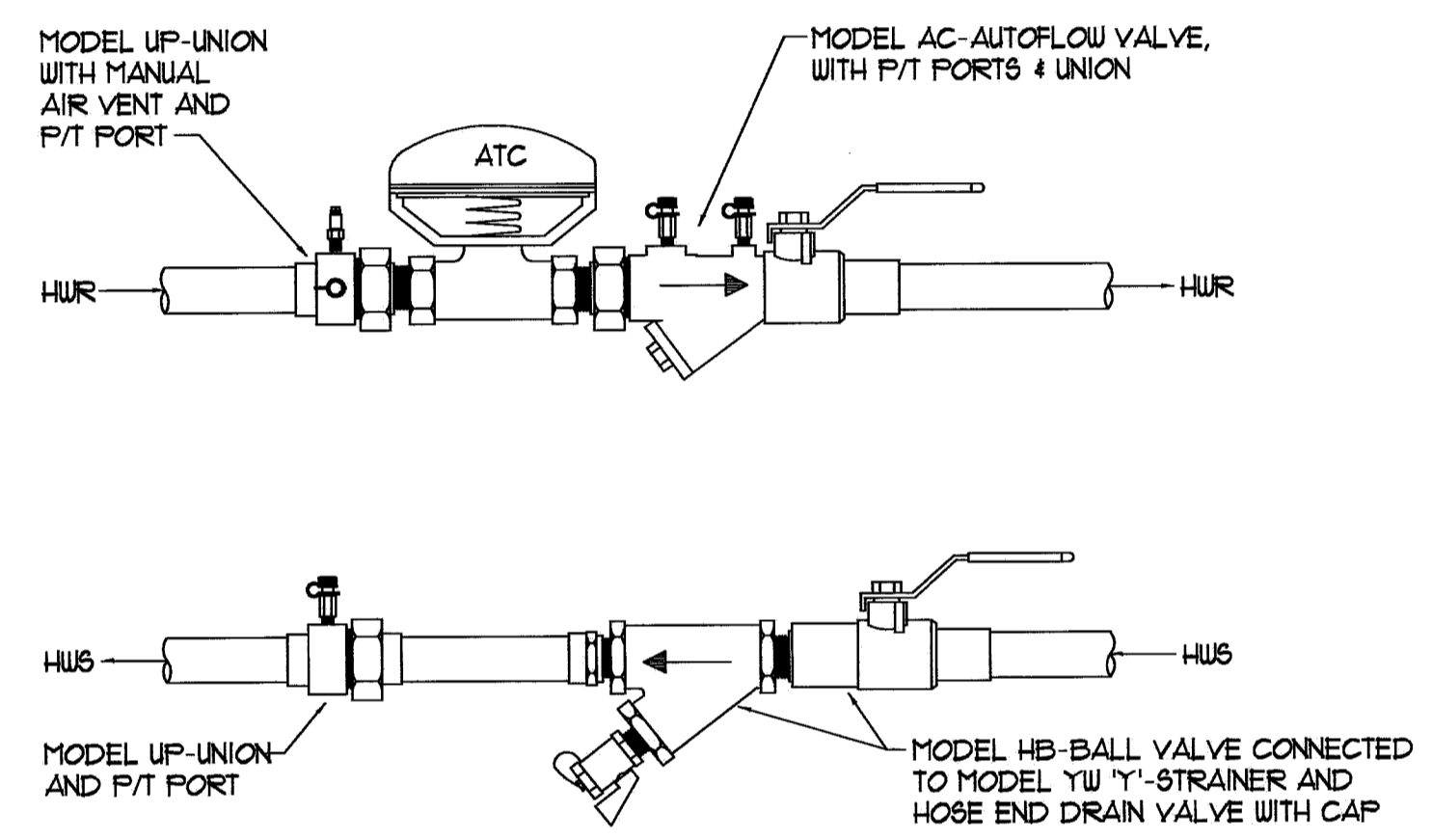
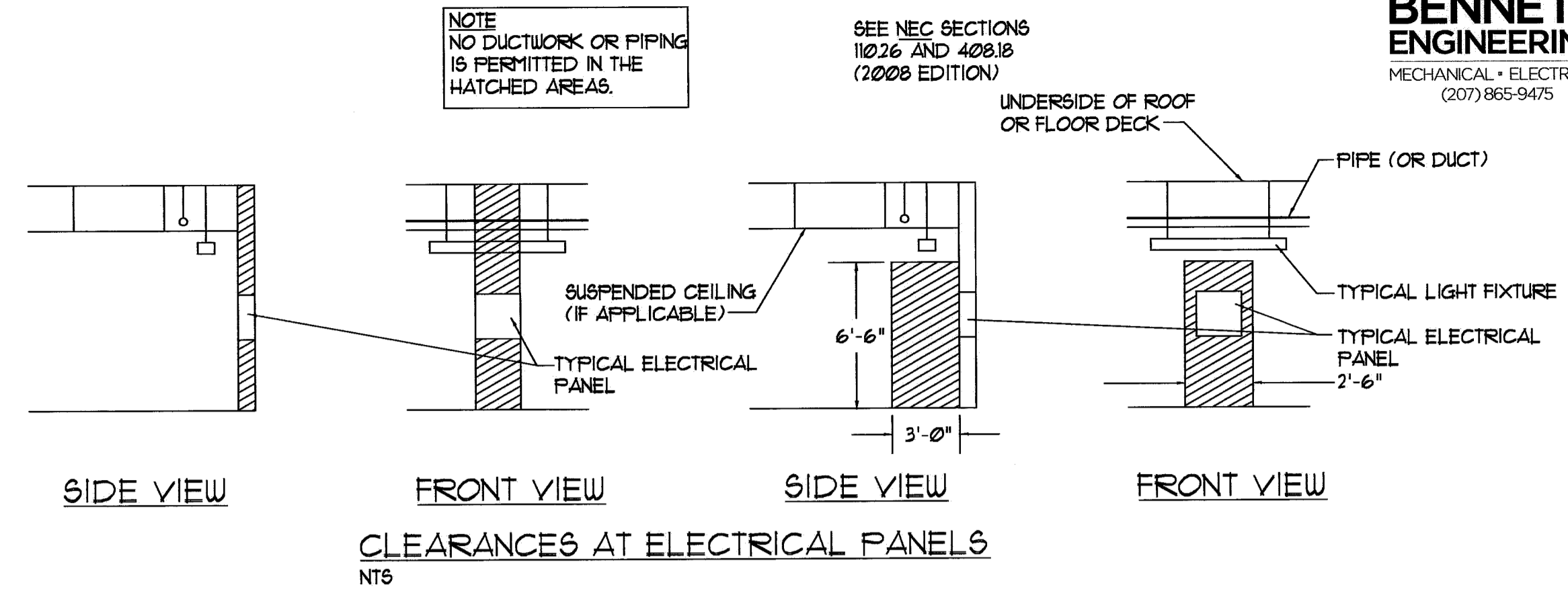
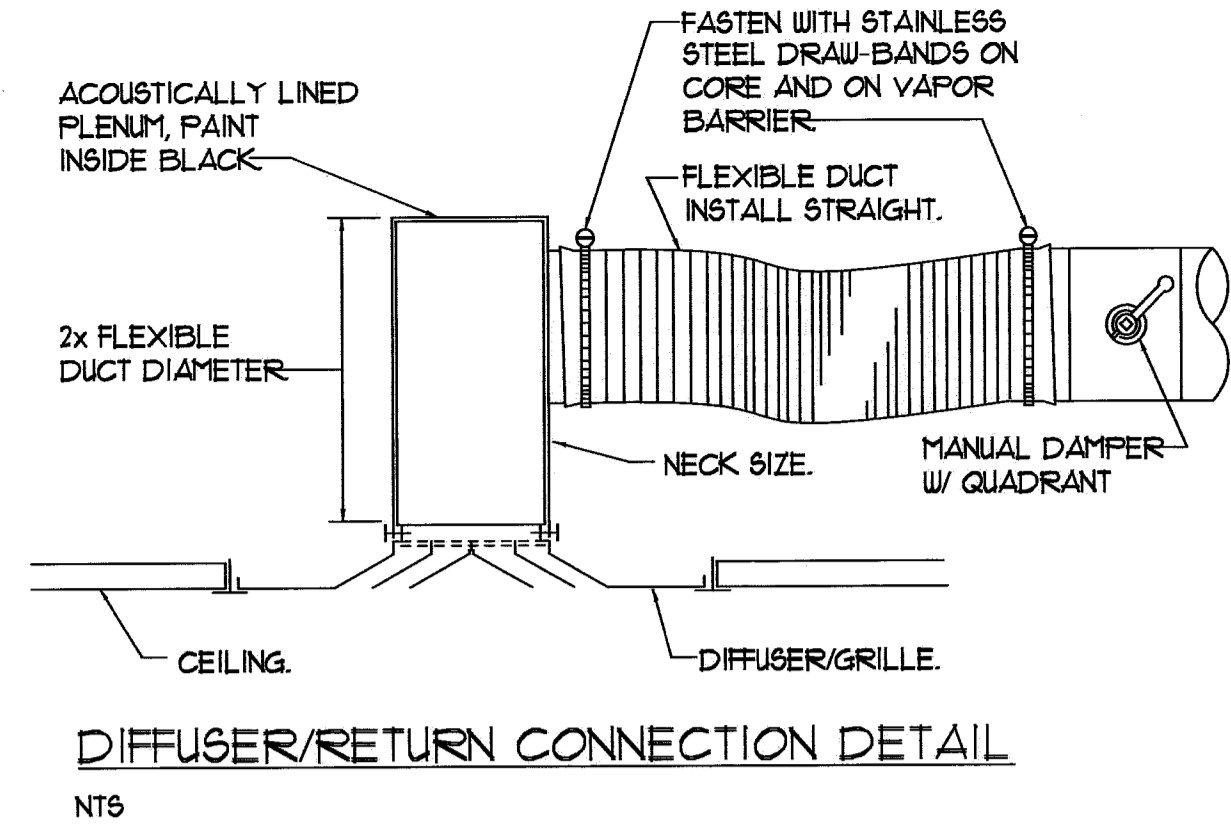
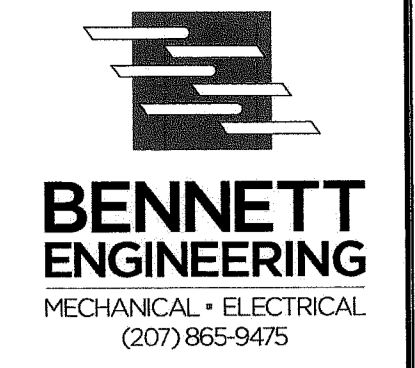


LOW PRESSURE DUCT CONSTRUCTION DETAILS - TYPICAL
NTS



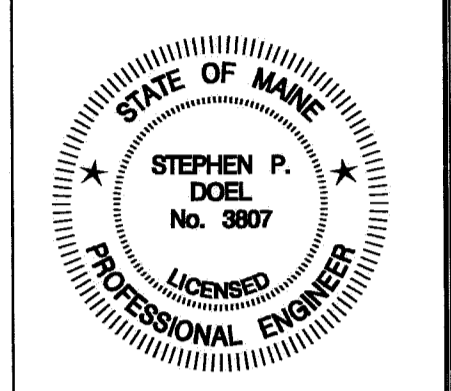
BOILER PIPING SCHEMATIC
NTS



CWS Architects

Architecture
Space Planning
Value Design

434 Cumberland Avenue
Portland, ME 04101
Phone: (207) 774-4441
Fax: (207) 774-4016
www.CWSarch.com



Owner: **Diocesan Bureau of Housing**

PO BOX 11559
Portland, Maine 04104-7559
TEL. 207-773-6471

Client:

Deering Pavilion

Portland, Maine

Project No: 08441

Drawing Title: **MECHANICAL DETAILS**

Scale: As Noted
Date: May 20, 2010

Revisions:

Drawing Number: **M2.02**