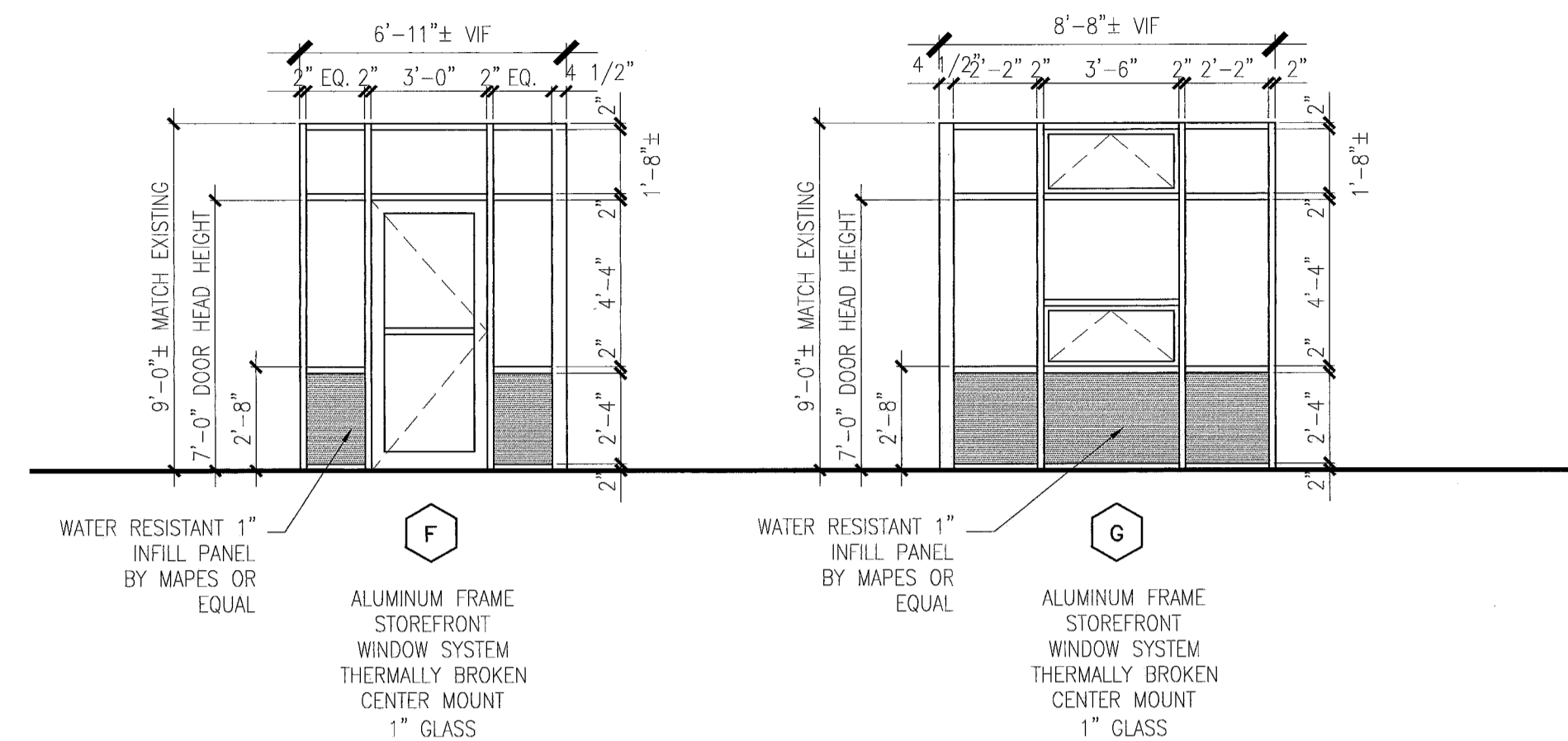


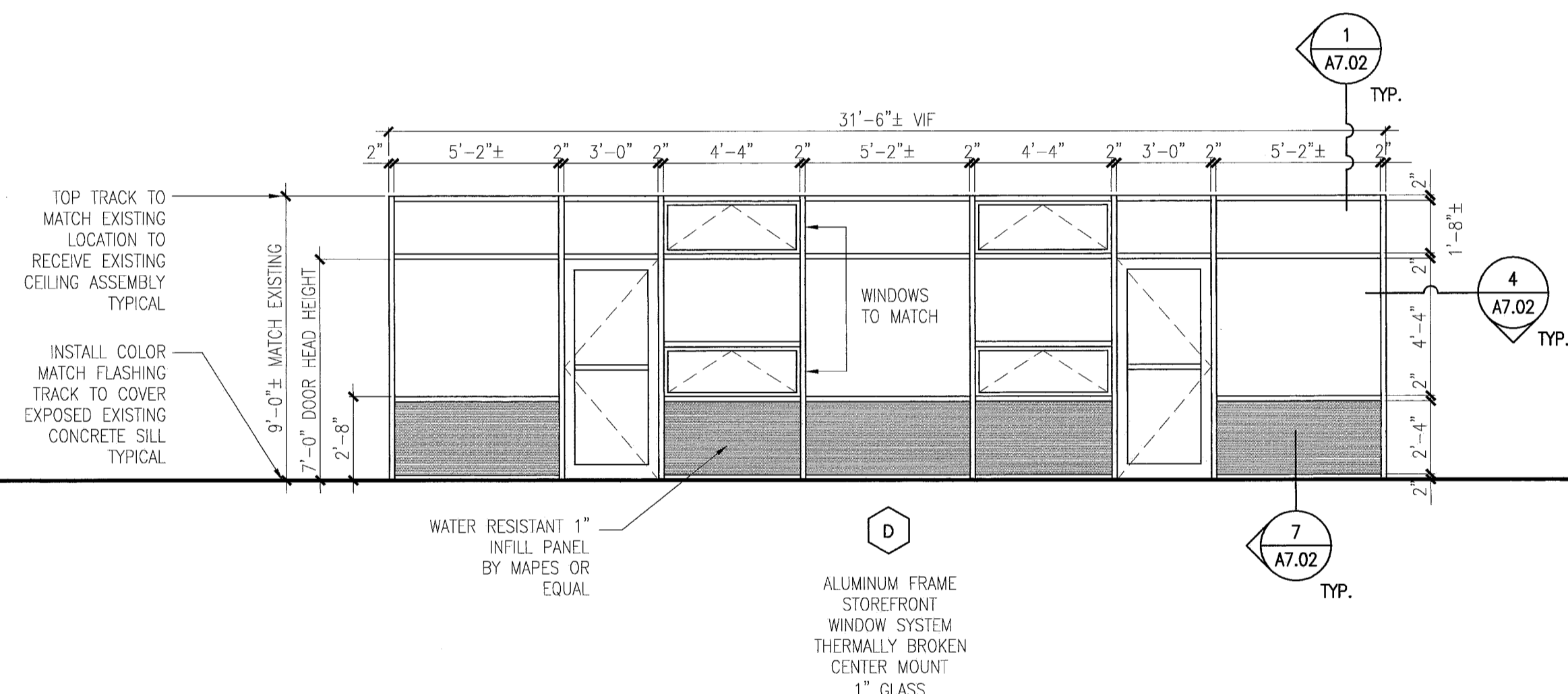
**1** DOUBLE HUNG WINDOW ELEVATIONS

SCALE: 1/4"=1'-0"



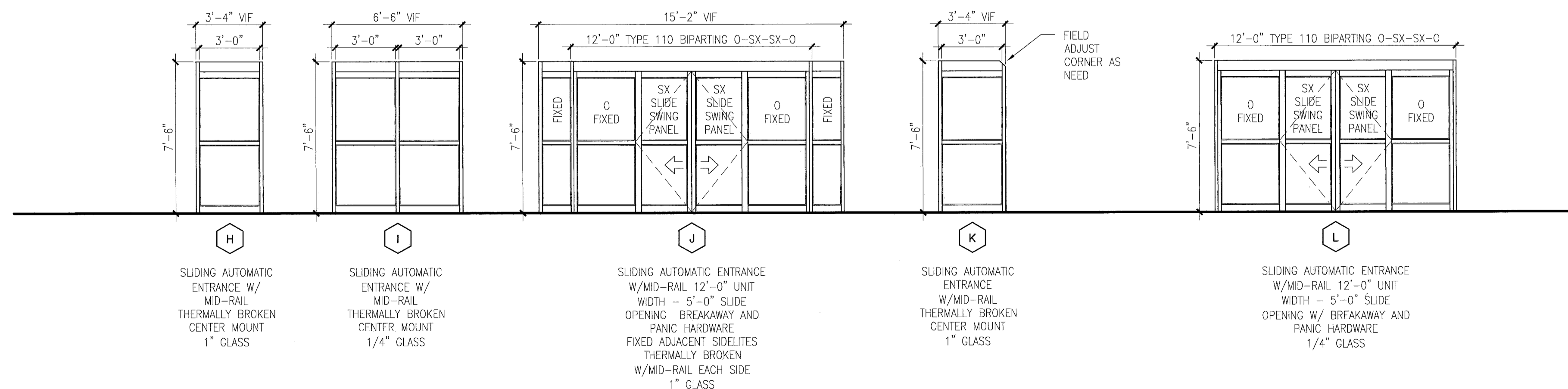
**2** STORE FRONT WINDOW AND DOOR ELEVATIONS

SCALE: 1/4"=1'-0"



**3** STORE FRONT WINDOW AND DOOR ELEVATIONS

SCALE: 1/4"=1'-0"



NOTE: THE SLIDING AUTOMATIC ENTRANCE SYSTEM TO HAVE SIMILAR HEAD AND SILL DETAILS AS THE ALUMINUM STOREFRONT WINDOW SYSTEM AS SHOWN ON SHEET A7.02. THIS SYSTEM IS FOUND IN THE NEW ENTRY LOBBY ONLY.

**4** NEW ENTRY LOBBY DOOR AND WINDOW ELEVATIONS

SCALE: 1/4"=1'-0"

**CWS Architects**  
 Architecture  
 Space Planning  
 Value Design  
 434 Cumberland Avenue  
 Portland, ME 04101  
 Phone: (207)774-4441  
 Fax: (207)774-4016  
 www.CWSarch.com

REGISTERED ARCHITECT  
 BENEDICT B. WALTER  
 NO. 1947  
 STATE OF MAINE

Owner:  
**Diocesan Bureau of Housing LLC**  
 PO BOX 11559  
 Portland, Maine 04104-7559  
 TEL. 207-773-6471

Client:

**Deering Pavilion Renovations**  
 Portland, Maine

Project No: 08441

Drawing Title:  
**WINDOW ELEVATIONS**

Scale: AS NOTED  
 Date: May 20, 2010

Revisions:

Drawing Number:  
**A7.01**