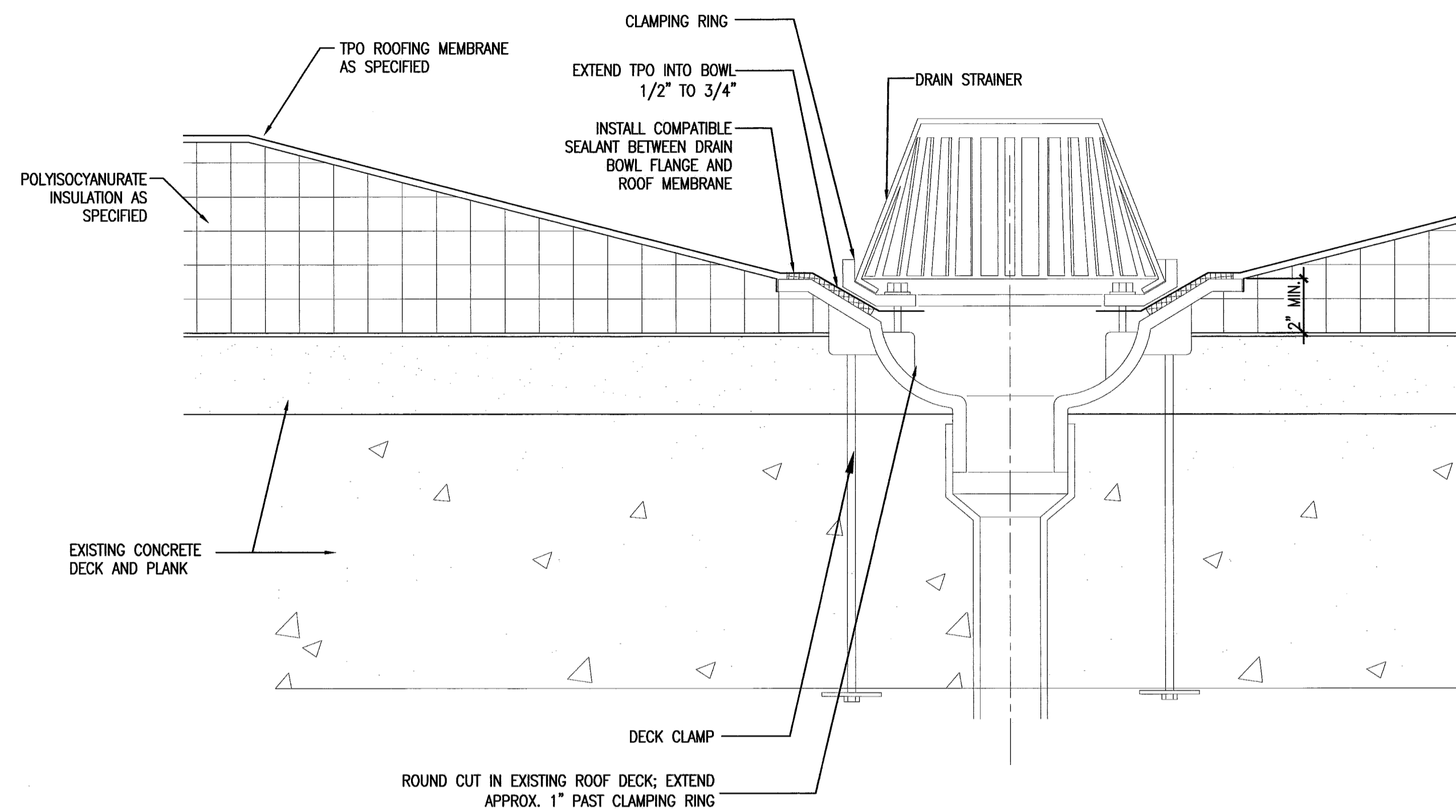


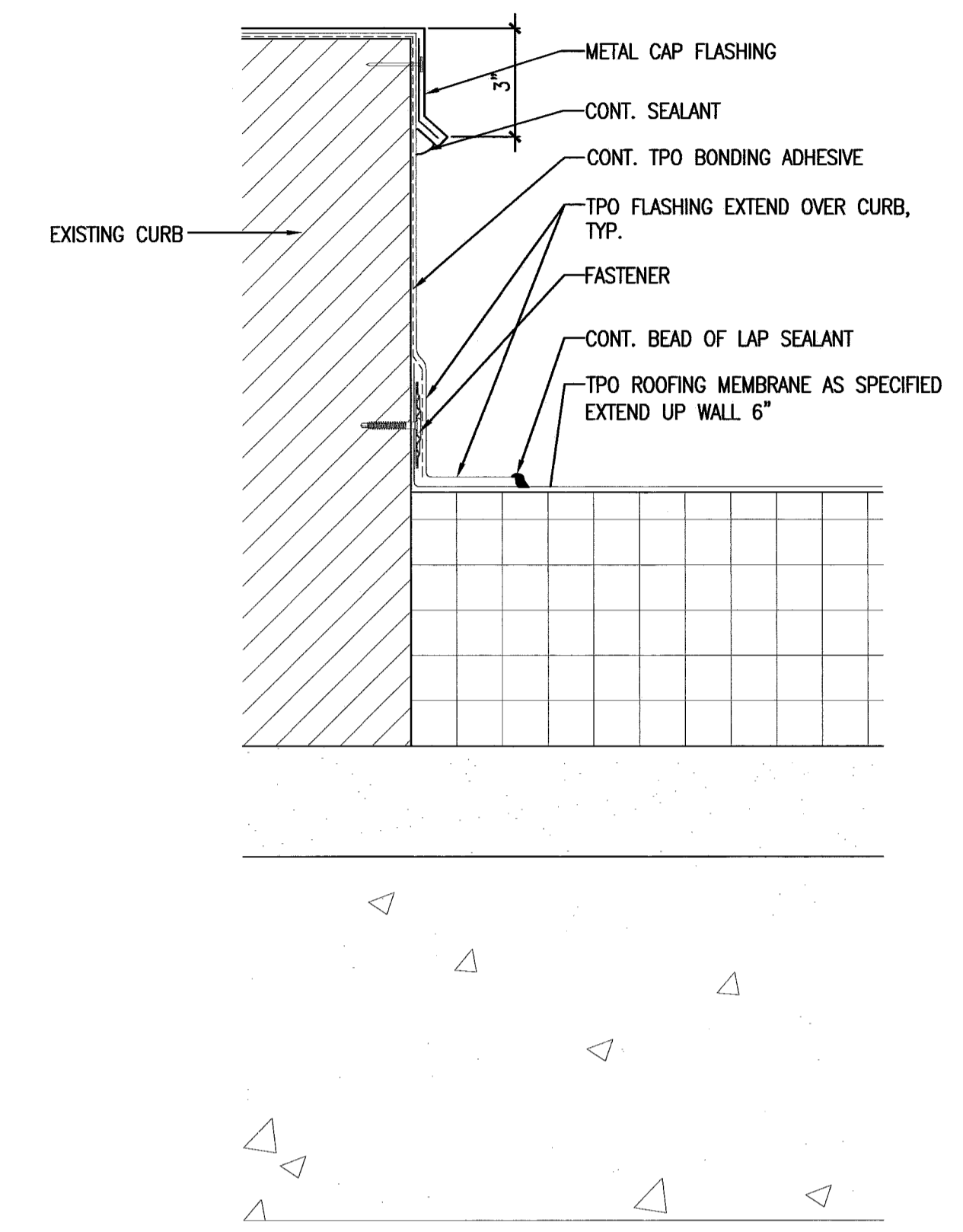
1 PIPE PENETRATION FLASHING DETAIL

SCALE: 3"=1'-0"



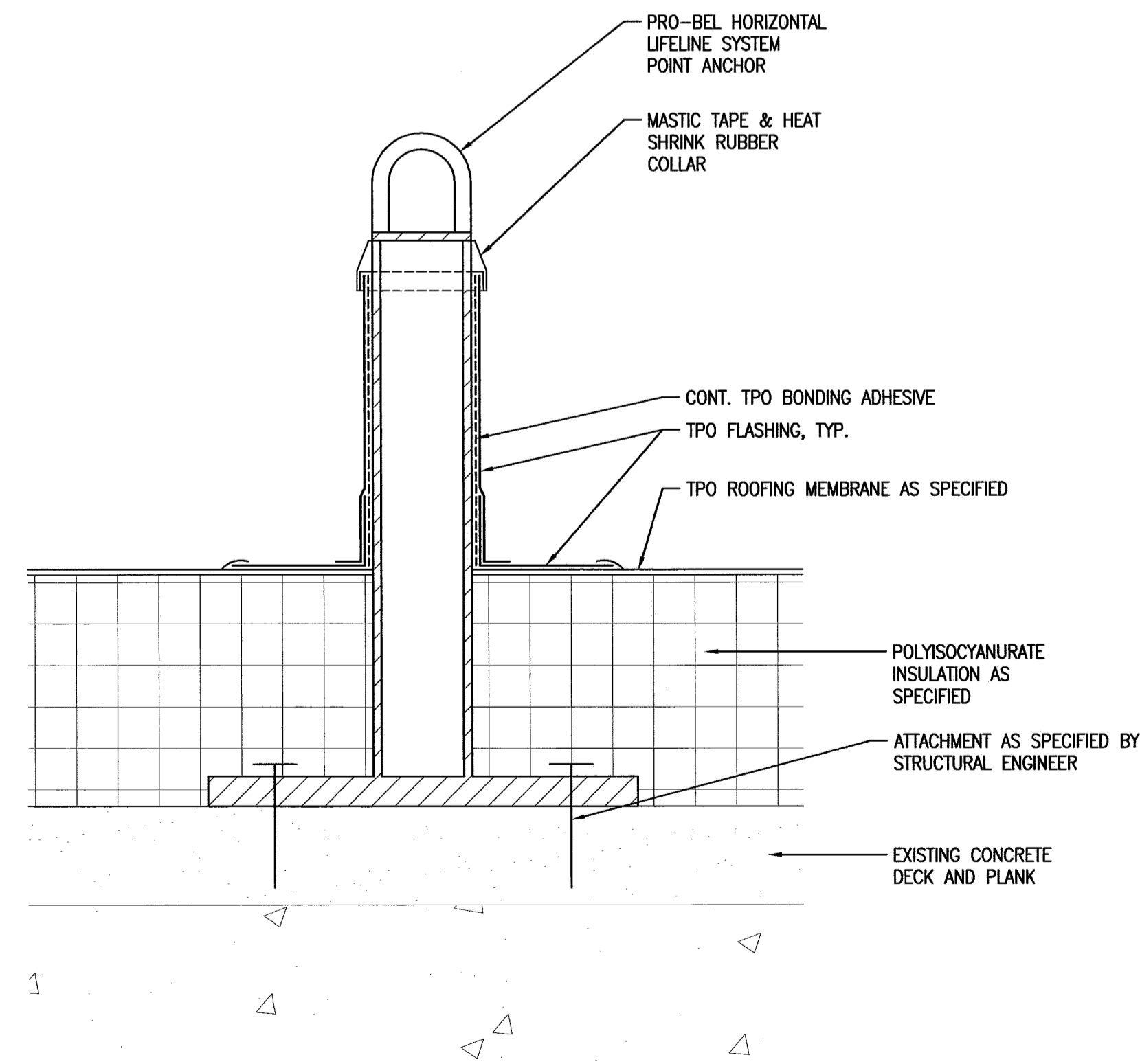
2 ROOF DRAIN FLASHING DETAIL

SCALE: 3"=1'-0"



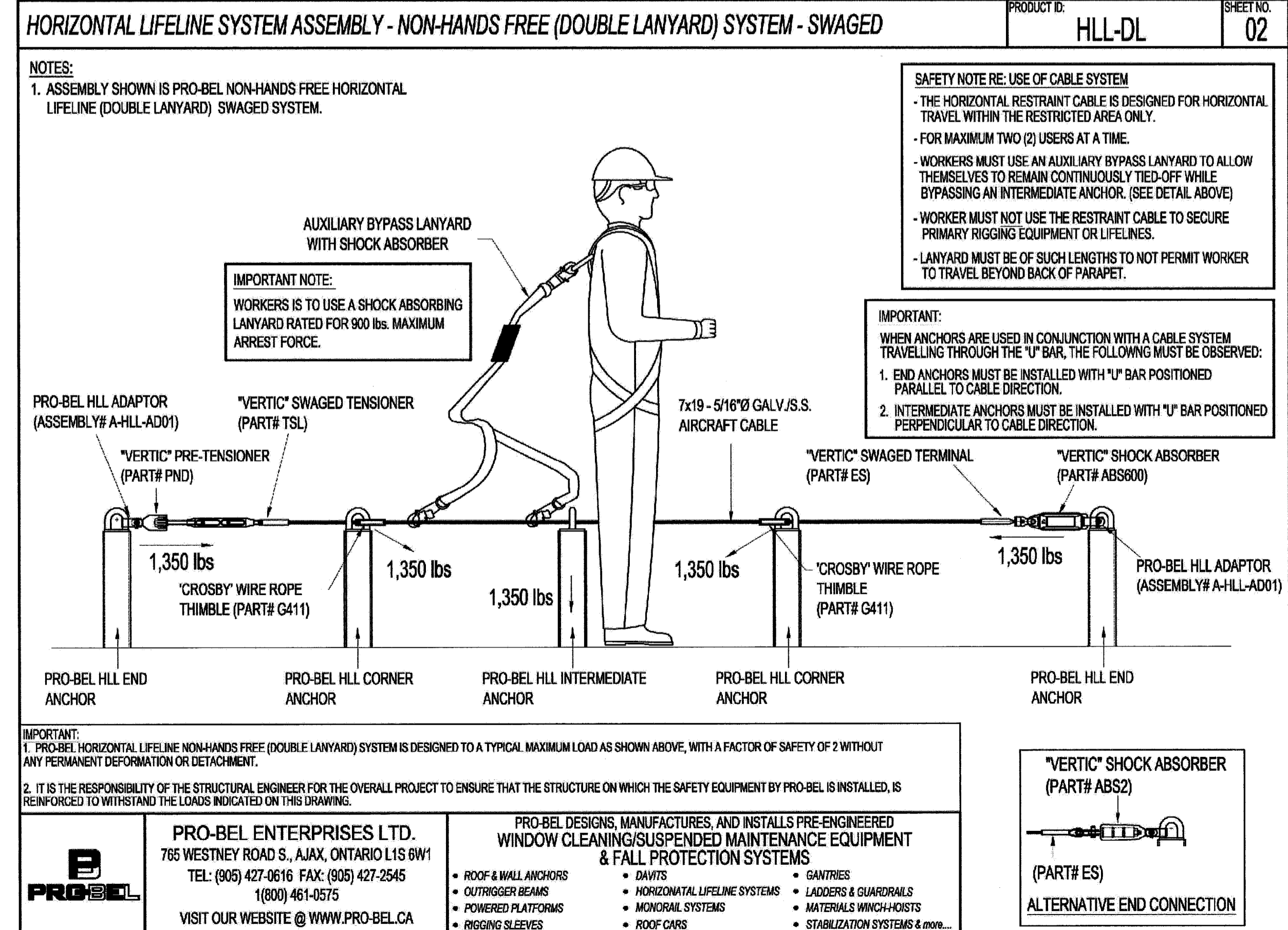
3 CURB FLASHING DETAIL

SCALE: 3"=1'-0"



4 LIFELINE SYSTEM ANCHOR ROOF PENETRATION DETAIL

SCALE: 3"=1'-0"



5 HORIZONTAL LIFELINE SYSTEM ASSEMBLY

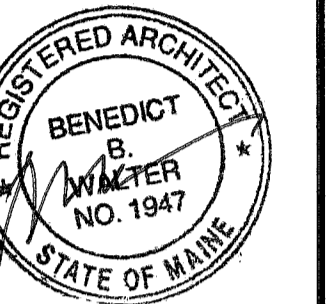
NTS



CWS Architects

Architecture
Space Planning
Value Design

434 Cumberland Avenue
Portland, ME 04101
Phone: (207) 774-4441
Fax: (207) 774-4016
www.CWSArch.com



Owner:
Diocesan Bureau of Housing LLC

PO BOX 11559
Portland, Maine 04104-7559
TEL. 207-773-6471

Client:

Deering Pavilion Renovations

Portland, Maine

Project No: 08441

Drawing Title:

ROOF DETAILS

Scale: AS NOTED

Date: May 20, 2010

Revisions:

- △
- △
- △
- △
- △

Drawing Number:

A6.14