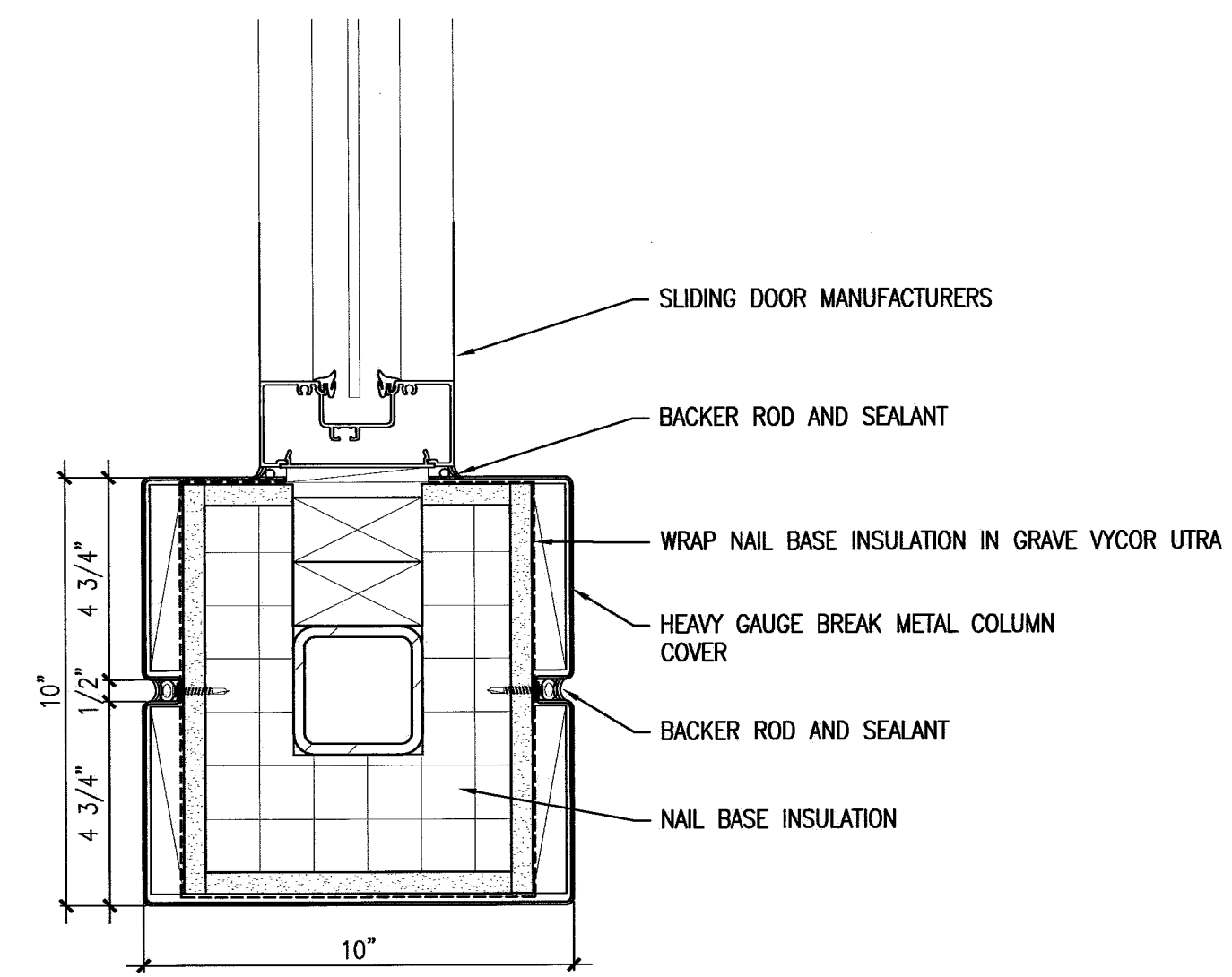


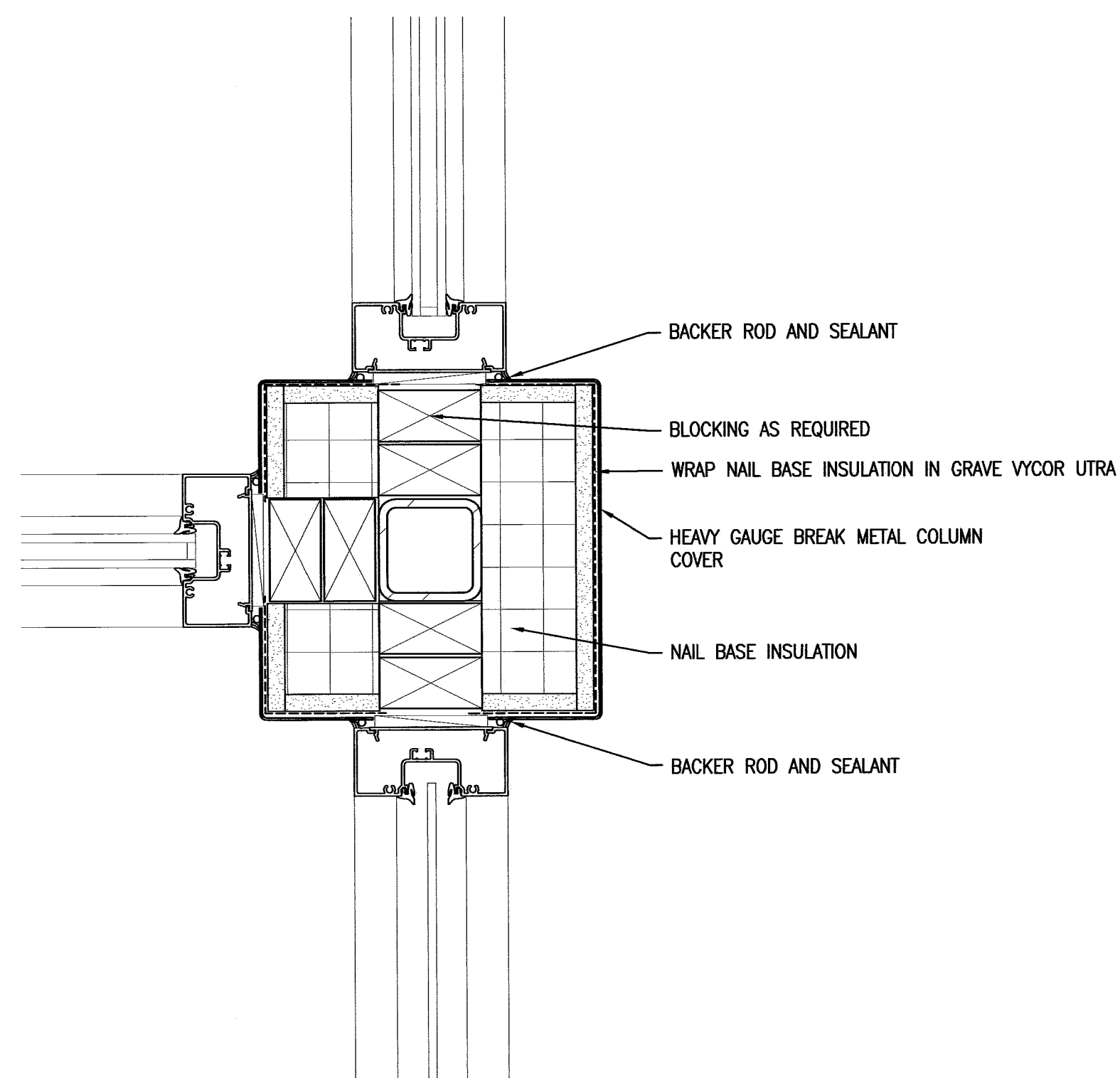
**1** ENTRY VESTIBULE WALL INTERSECTION DETAIL

SCALE: 3"=1'-0"



**3** COLUMN SECTION DETAIL

SCALE: 3"=1'-0"



**2** COLUMN SECTION AT ENTRY DOOR

SCALE: 3"=1'-0"

**4**

SCALE: 3"=1'-0"

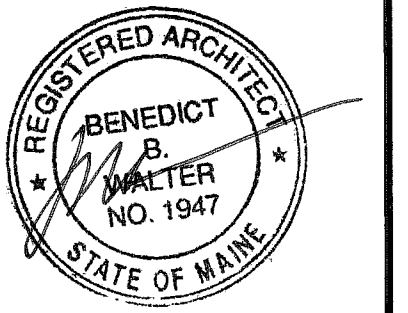


CWS  
Architects

Architecture  
Space Planning  
Value Design

434 Cumberland Avenue  
Portland, ME 04101  
Phone: (207)774-4441  
Fax: (207)774-4016

www.CWSarch.com



Owner:

Diocesan Bureau  
of Housing LLC

PO BOX 11539  
Portland, Maine 04104-7539  
TEL. 207-773-6471

Client:

Deering Pavilion  
Renovations

Portland, Maine

Project No: 08441

Drawing Title:

EXTERIOR  
DETAILS

Scale: AS NOTED

Date: May 20, 2010

Revisions:



Drawing Number:

**A6.12**