

Owner:
Diocesan Bureau of Housing LLC
 PO BOX 11559
 Portland, Maine 04104-7559
 TEL. 207-773-6471

Client:

Deering Pavilion Renovations

Portland, Maine

Project No: 08441

Drawing Title:

EXTERIOR DETAILS

Scale: AS NOTED

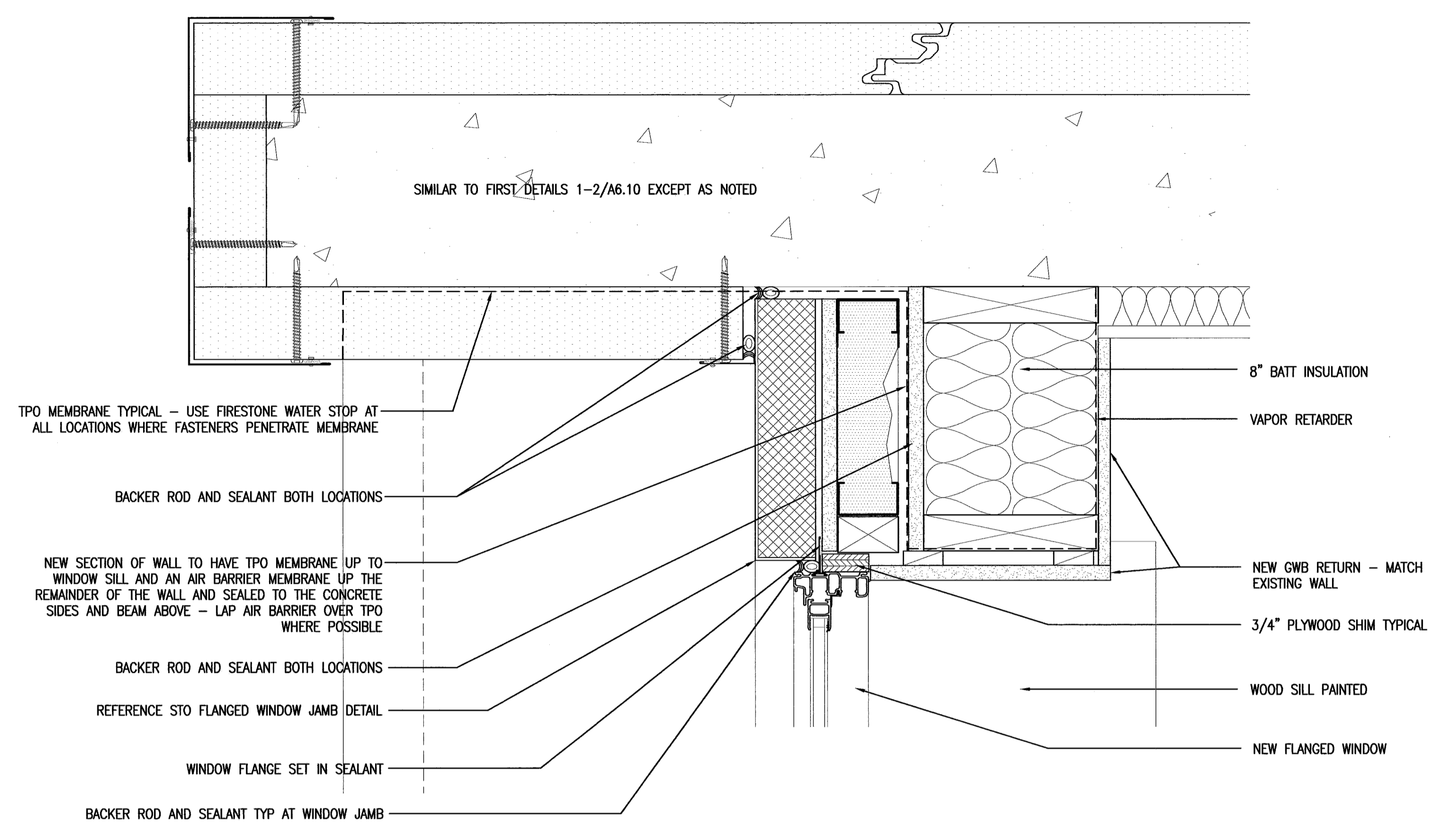
Date: May 20, 2010

Revisions:

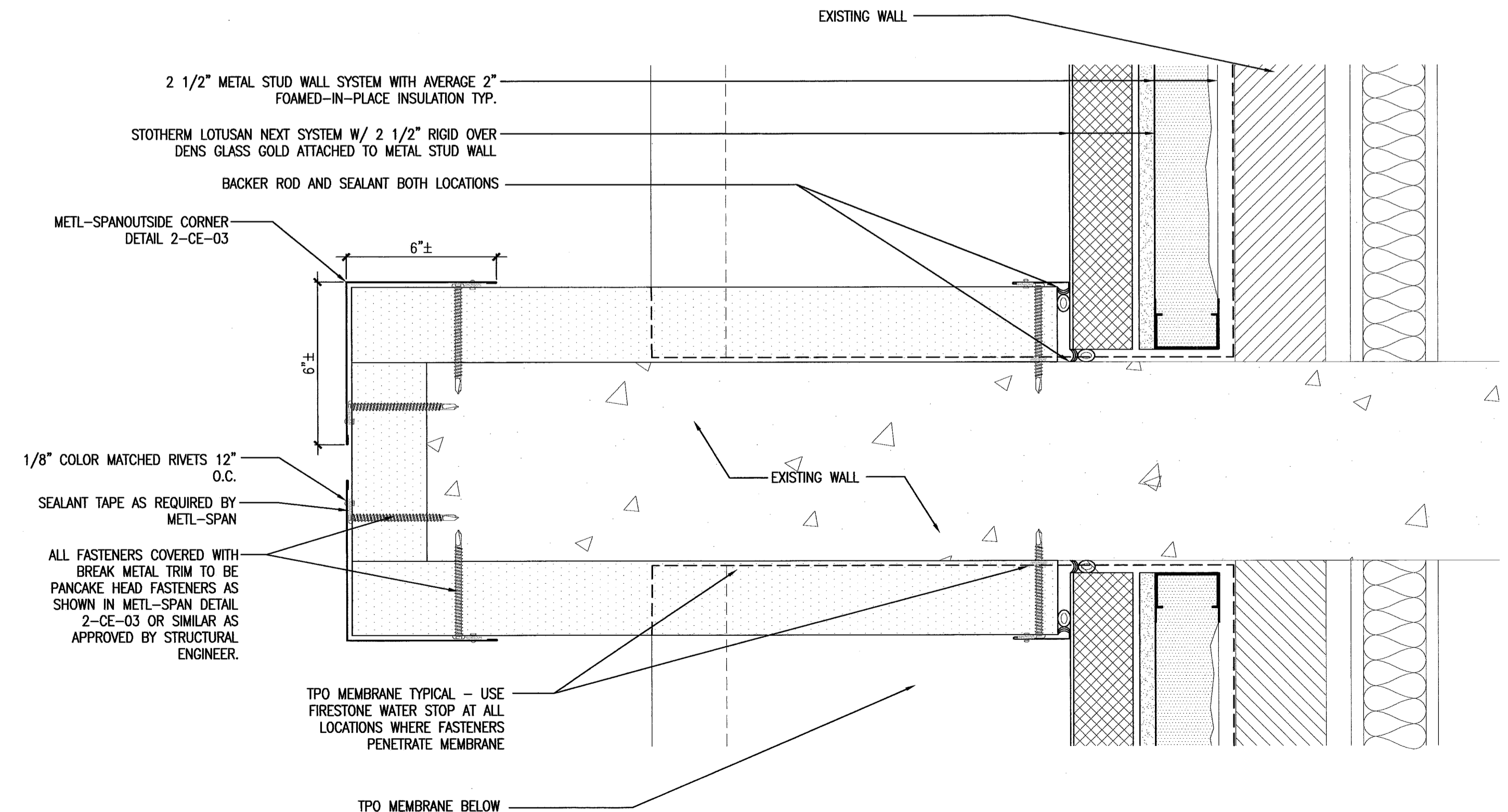
- △
- △
- △
- △
- △
- △

Drawing Number:

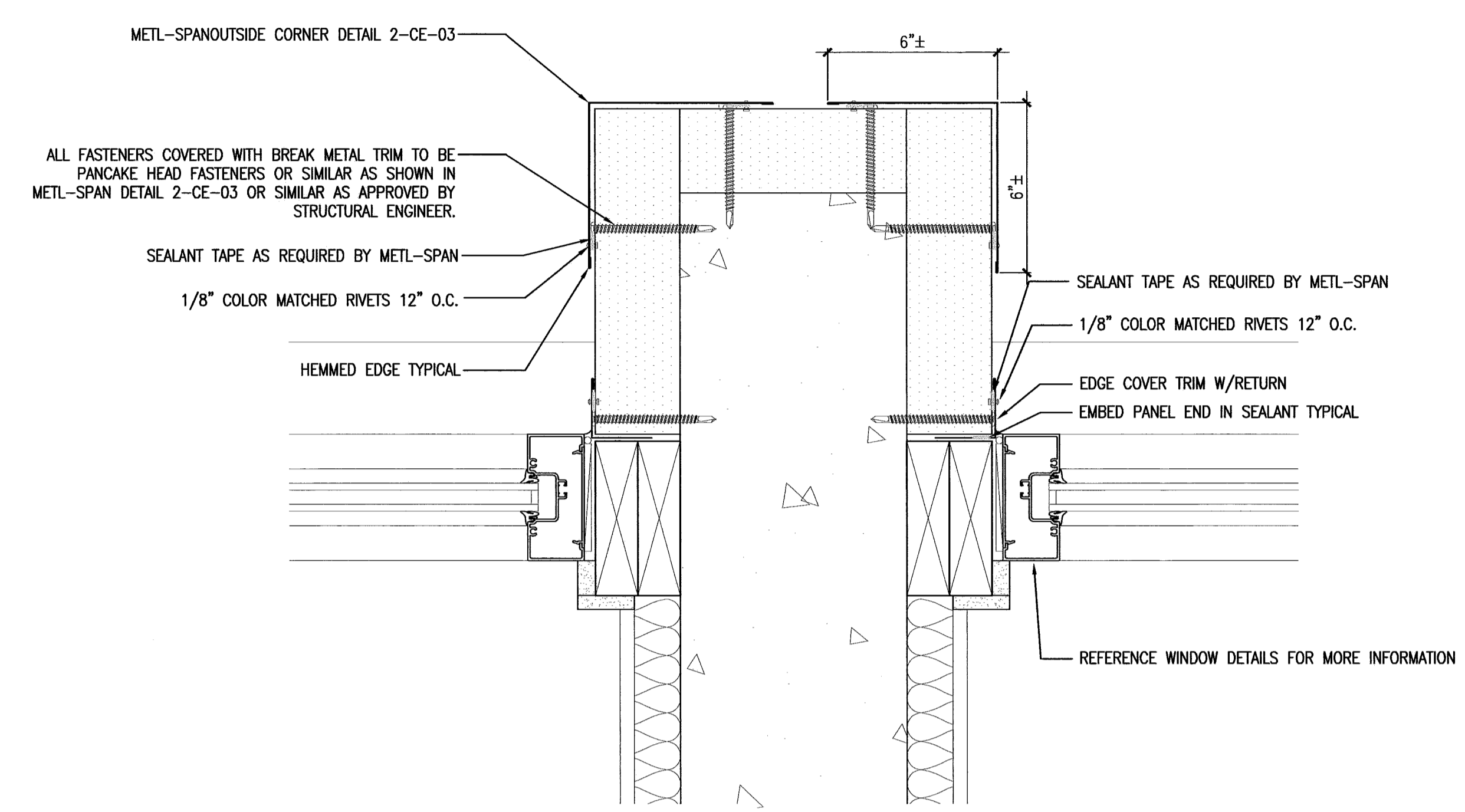
A6.10



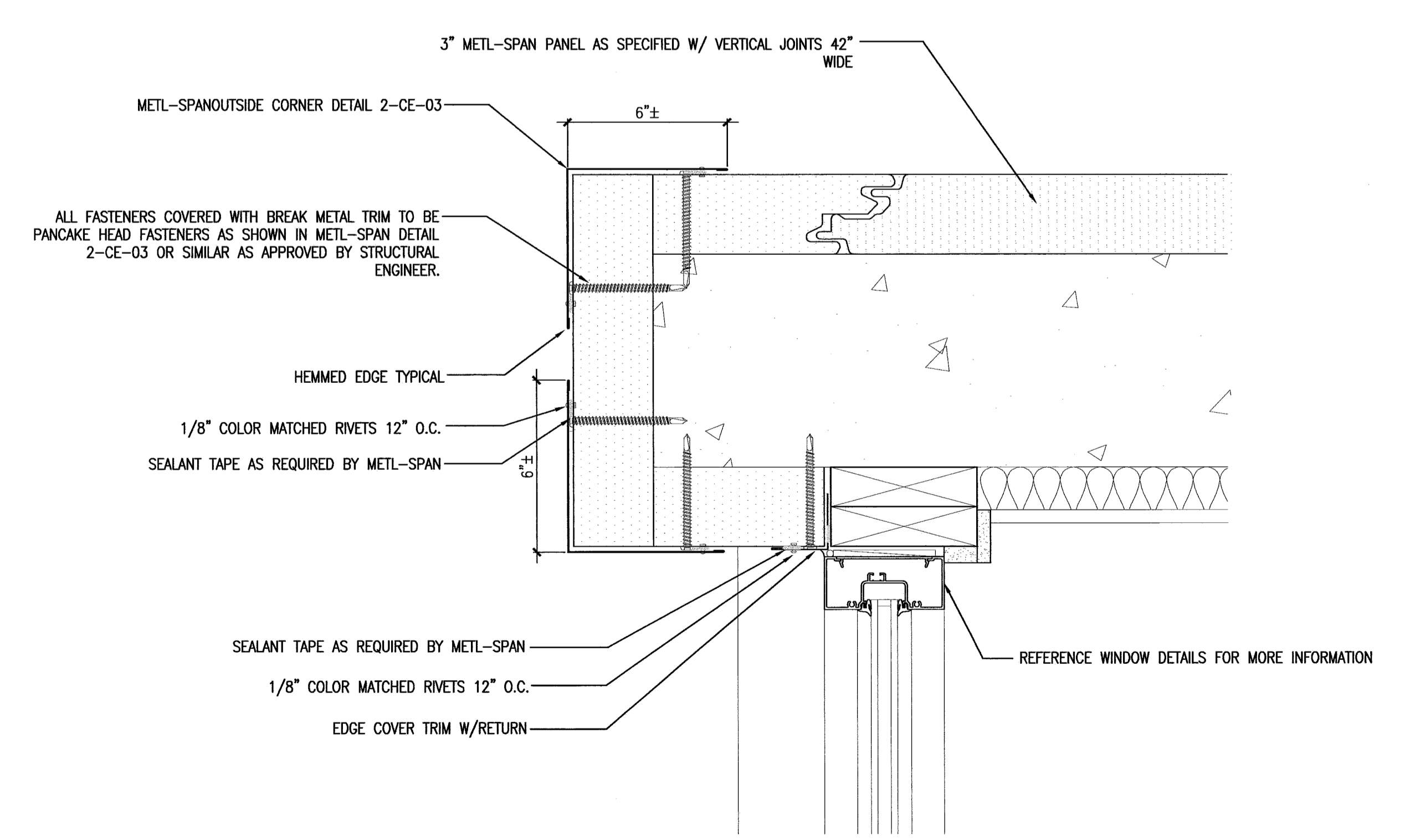
3 FLOORS 2-11 CORNER JAMB DETAIL SCALE: 3"=1'-0"



4 FLOORS 2-11 INTERMEDIATE PLAN DETAIL SCALE: 3"=1'-0"



1 FIRST FLOOR JOINT BETWEEN TWO STOREFRONT WINDOWS SCALE: 3"=1'-0"



2 FIRST FLOOR OUTSIDE CORNER AT STOREFRONT WINDOW SCALE: 3"=1'-0"