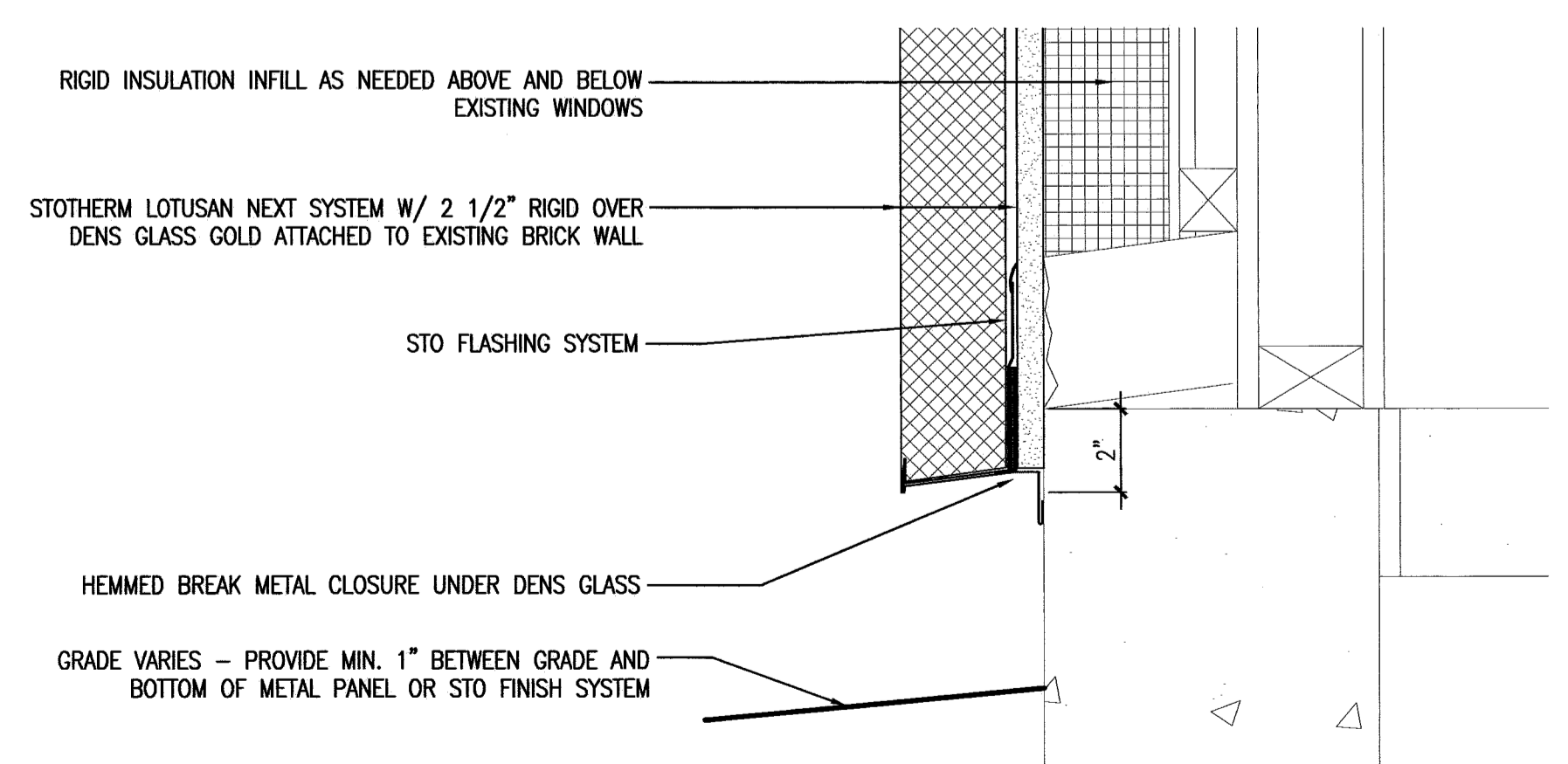
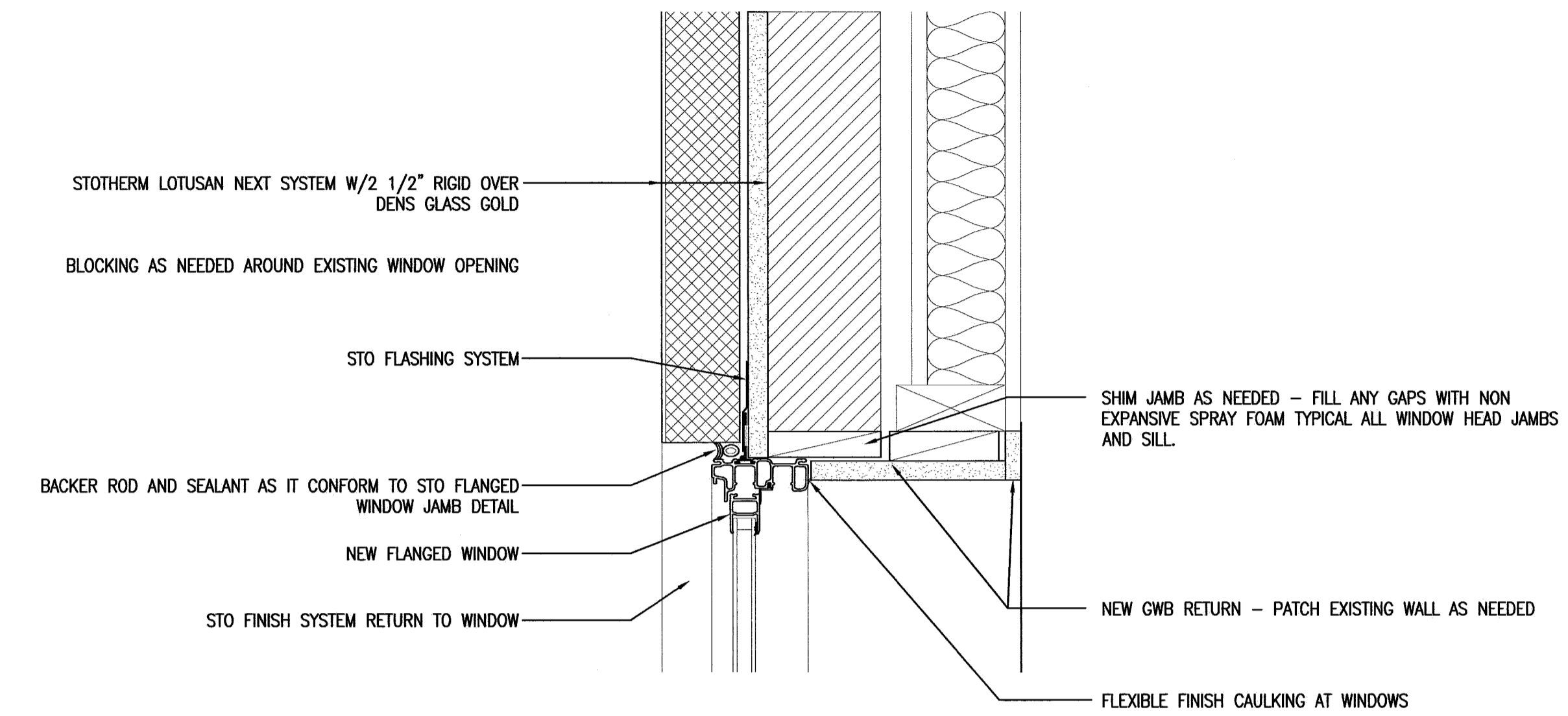


**1** TYPICAL DOUBLE HUNG WINDOW SECTION FIRST FLOOR  
SCALE: 3"=1'-0"



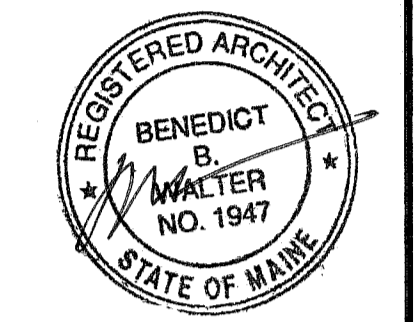
**2** GROUND LEVEL DETAIL - DIRECT APPLIED TO BRICK BELOW WINDOW  
SCALE: 6"=1'-0"



**3** TYPICAL DOUBLE HUNG WINDOW JAMB AT FIRST FLOOR  
SCALE: 3"=1'-0"

**4** -  
SCALE: 3"=1'-0"

**5** -  
SCALE: 3"=1'-0"



Owner:  
**Diocesan Bureau of Housing LLC**  
PO BOX 11559  
Portland, Maine 04104-7559  
TEL. 207-773-6471

Client:

**Deering Pavilion Renovations**

Portland, Maine

Project No: 08441

Drawing Title:

**EXTERIOR DETAILS**

Scale: AS NOTED  
Date: May 20, 2010

- Revisions:
- △
  - △
  - △
  - △
  - △

Drawing Number:

**A6.06**