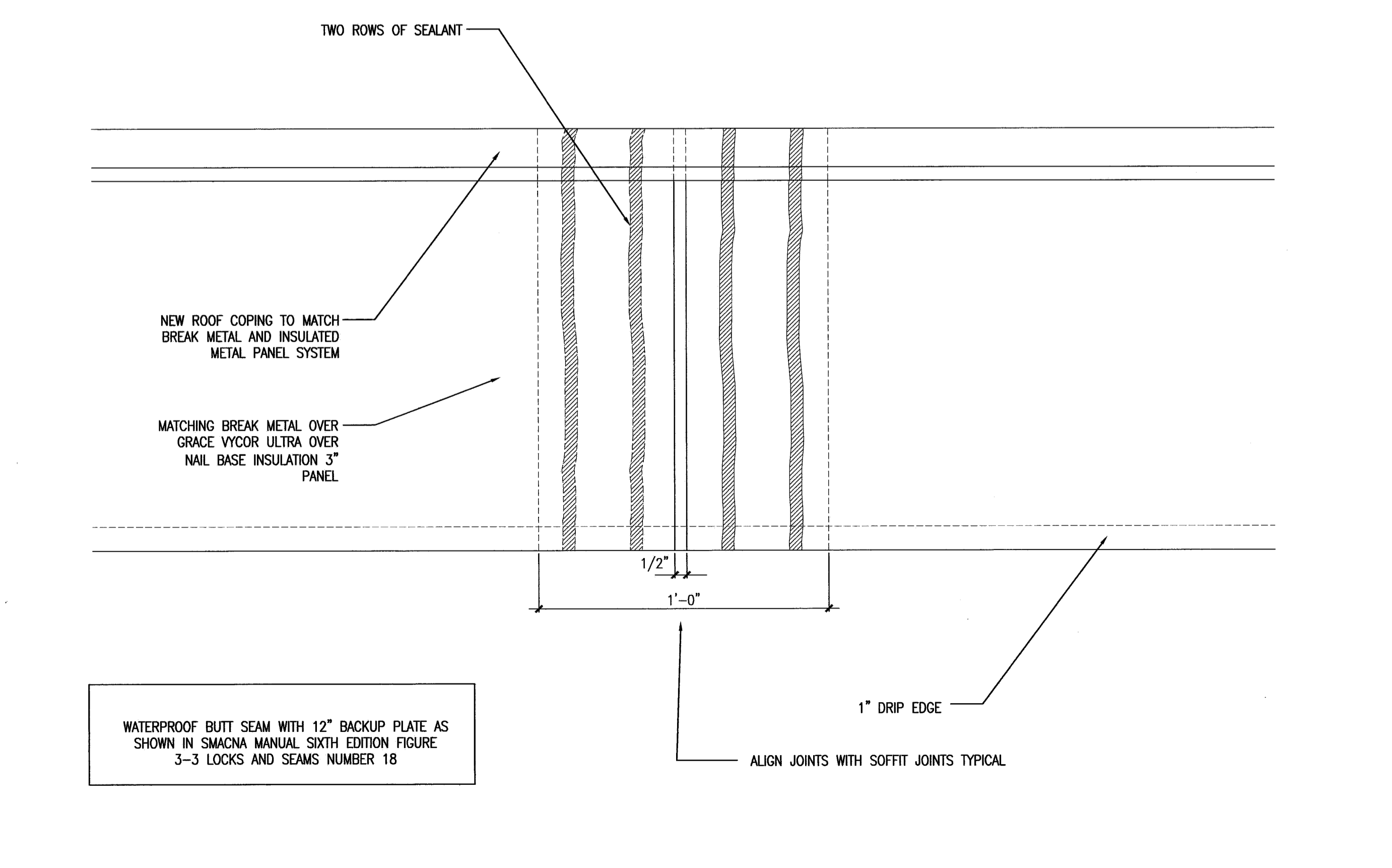
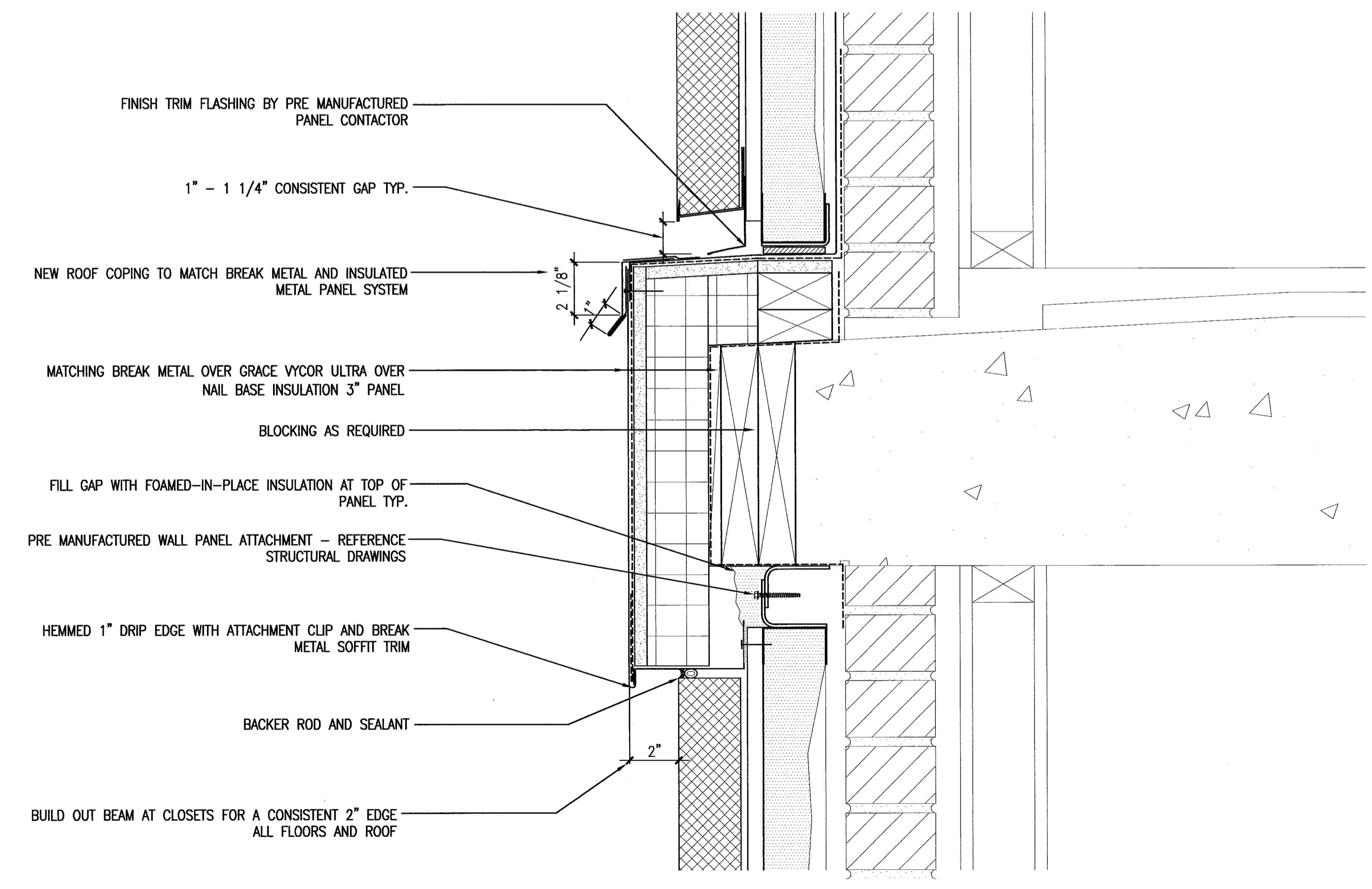


1 ROOF EDGE DETAIL SCALE: 3"=1'-0"

3 FIRST TO SECOND FLOOR BEAM DETAIL SCALE: 3"=1'-0"



2 SECOND TO ELEVENTH FLOOR BEAM DETAIL SCALE: 3"=1'-0"

4 BEAM FACIA COVER JOINT DETAIL SCALE: 3"=1'-0"