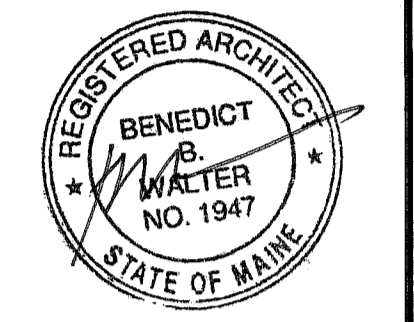




CWS
Architects

Architecture
Space Planning
Value Design

434 Cumberland Avenue
Portland, ME 04101
Phone: (207)774-4441
Fax: (207)774-4016
www.CWSarch.com



Owner:
**Diocesan Bureau
of Housing LLC**
PO BOX 11559
Portland, Maine 04104-7559
TEL. 207-773-6471

Client:

**Deering Pavilion
Renovations**

Portland, Maine

Project No: 08441

Drawing Title:

**ENLARGED PLAN
DETAILS**

Scale: AS NOTED

Date: May 20, 2010

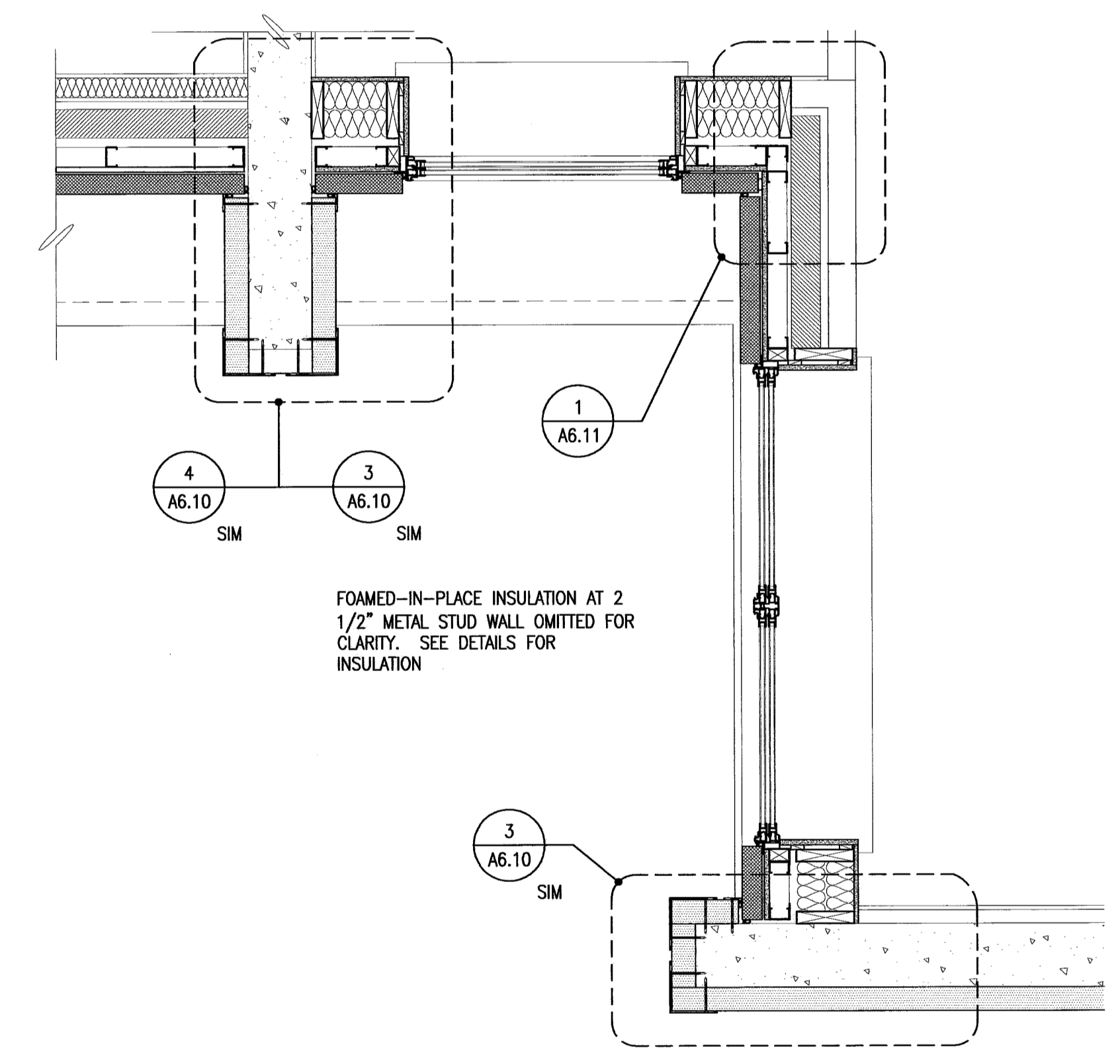
Revisions:

- △
- △
- △
- △
- △

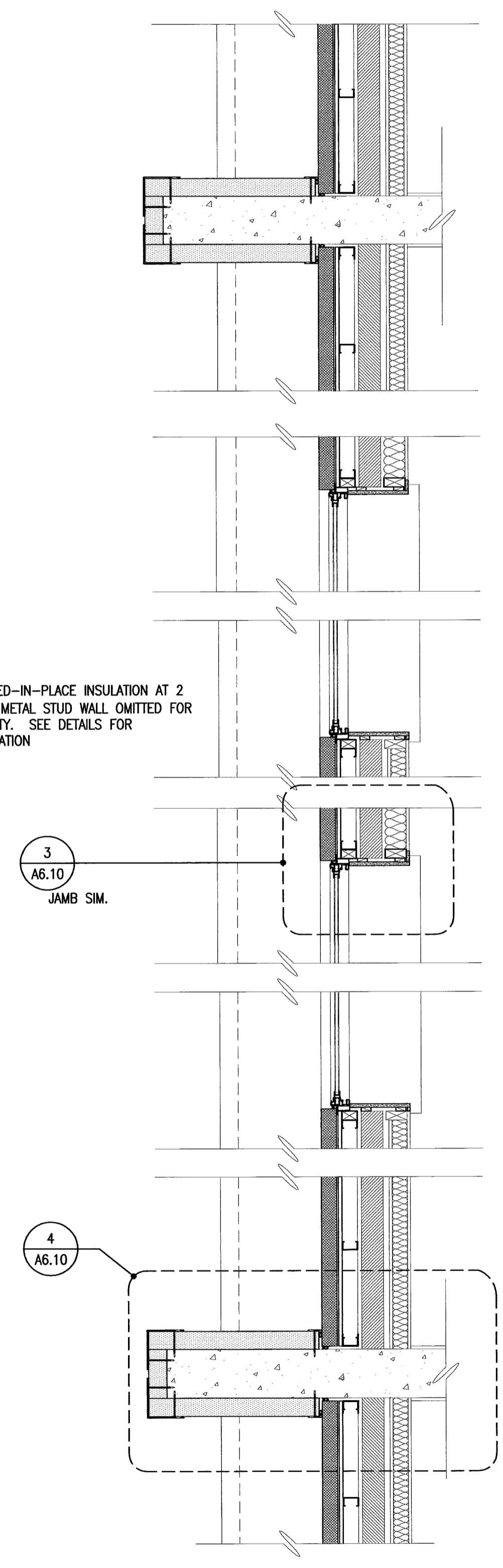
Drawing Number:

A5.04

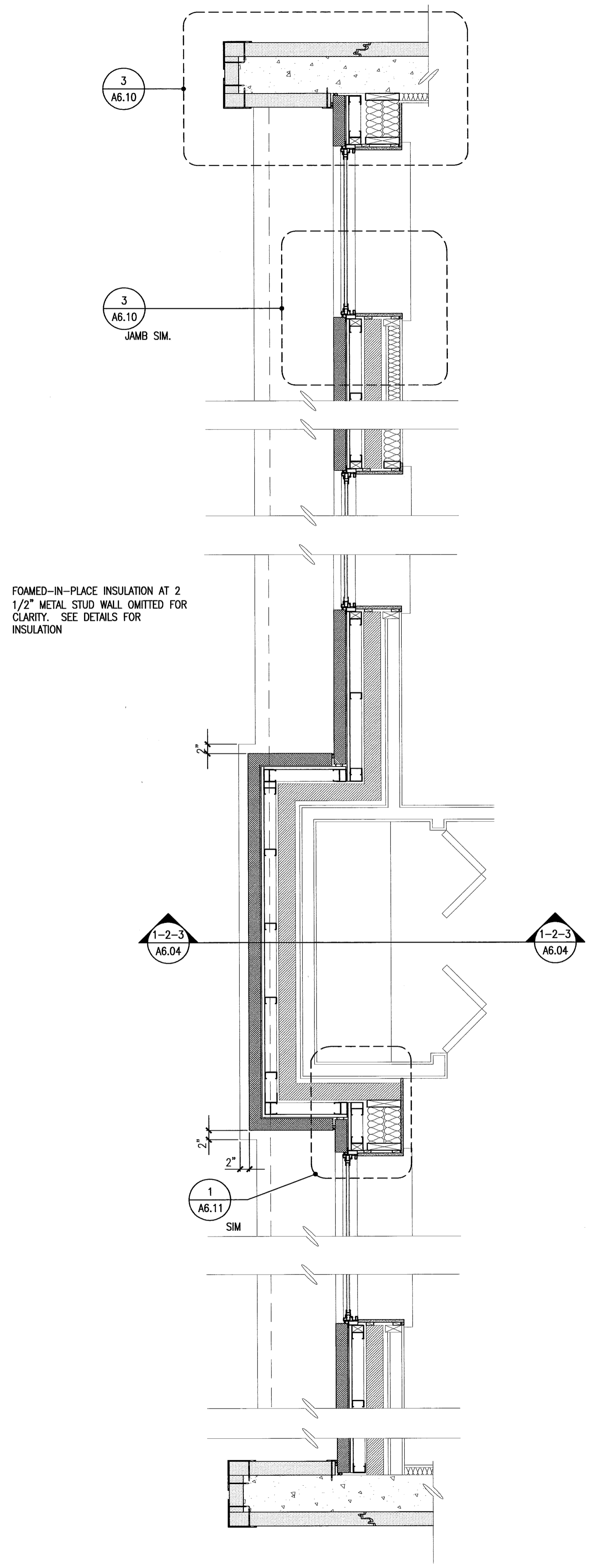
BEING DRAWING



1 EAST AND WEST WALL SECTIONS
SCALE: 3/4"=1'-0"



2 EAST AND WEST WALL SECTIONS
SCALE: 3/4"=1'-0"



3 EAST AND WEST WALL SECTIONS
SCALE: 3/4"=1'-0"