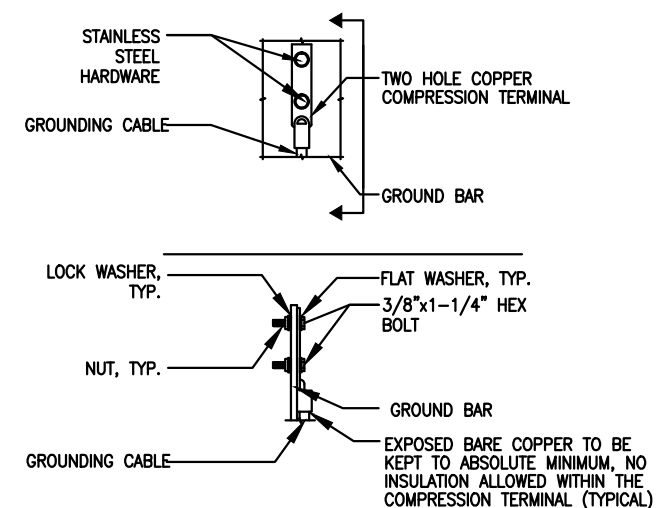
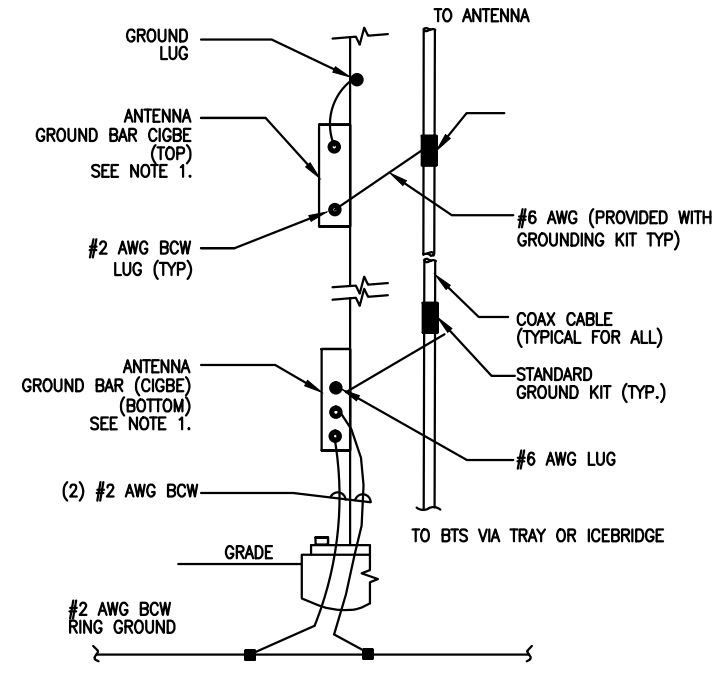


1 TYP. GROUNDING RISER DIAGRAM
G-1 SCALE:N.T.S.



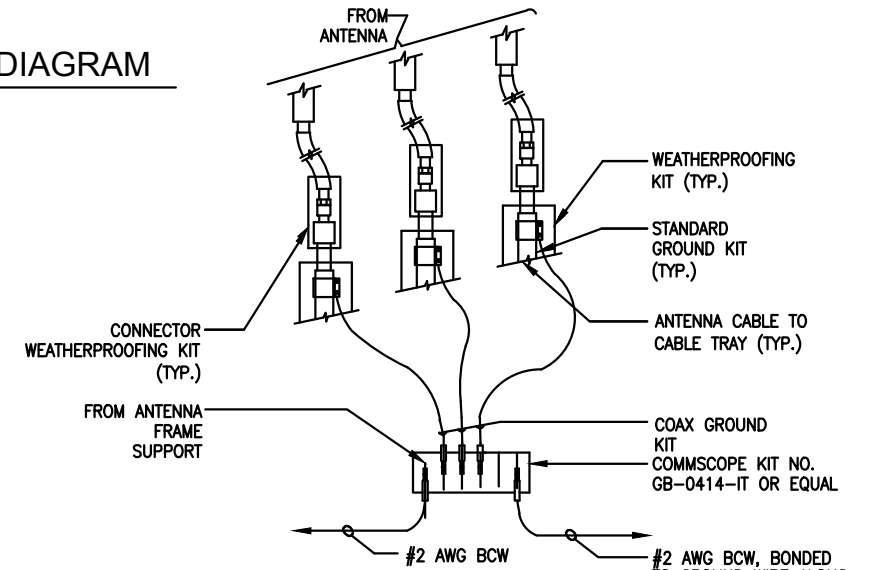
2 TYP. GROUND BAR CONNECTION DETAIL
G-1 SCALE:N.T.S.

NOTES:
1. "DOUBLING UP" OR "STACKING" OF CONNECTION IS NOT PERMITTED.
2. OXIDE INHIBITING COMPOUND TO BE USED AT ALL LOCATIONS.
3. CADWELD DOWNLEADS FROM UPPER EGB, LOWER EGB, AND MGB.
4. ALL GROUND LUGS MUST BE HEAT SHRUNK AT WIRE/LUG CONNECTION



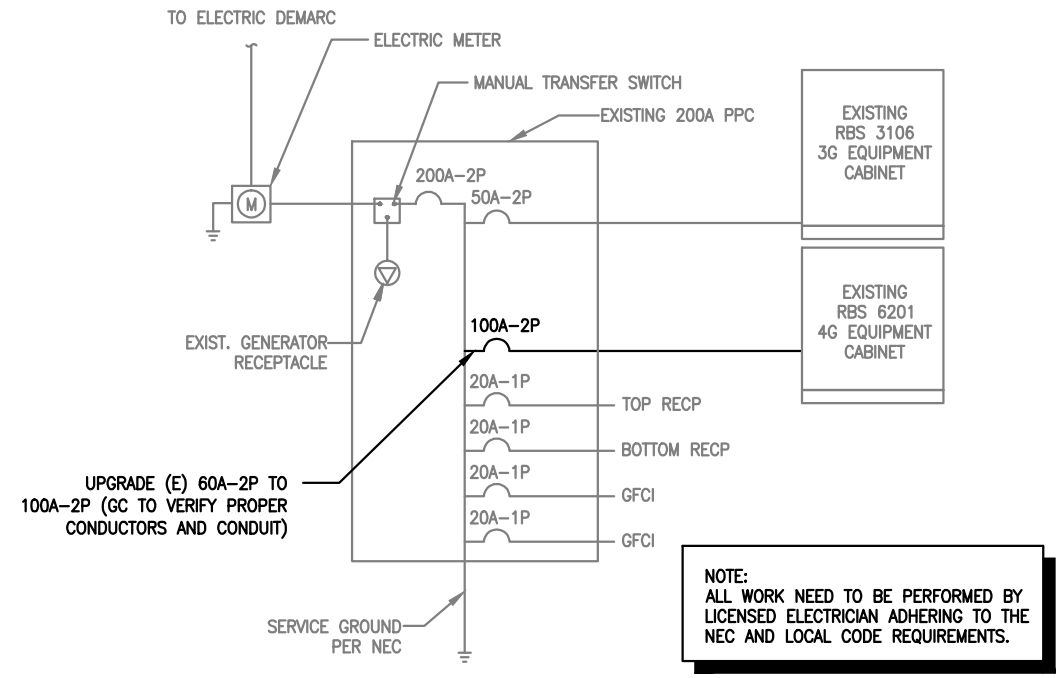
3 ANTENNA CABLE GROUNDING
G-1 SCALE:N.T.S.

NOTE:
1. NUMBER OF GROUND BARS MAY VARY DEPENDING ON THE TYPE OF TOWER, ANTENNA LOCATION AND CONNECTION ANTENNA LOCATION AND CONNECTION ORIENTATION. PROVIDE AS REQUIRED.
2. A SEPARATE GROUND BAR TO BE USED FOR GPS ANTENNA IF REQUIRED.



4 GROUND WIRE TO GROUND BAR CONNECTION DETAIL
G-1 SCALE:N.T.S.

NOTE:
1. DO NOT INSTALL CABLE GROUND KIT AT A BEND AND ALWAYS DIRECT GROUND WIRE DOWN TO CIGBE.
2. ALL PROPOSED COAXIAL CABLING TO BE GROUNDED IN (3) LOCATIONS; BELOW JUMPER/HARDLINE CONNECTION, AT BASE OF TOWER & PRIOR TO BUILDING/CABINET ENTRY.



5 ONE LINE POWER DIAGRAM
G-1 SCALE:N.T.S.

NOTE:
ALL WORK NEED TO BE PERFORMED BY LICENSED ELECTRICIAN ADHERING TO THE NEC AND LOCAL CODE REQUIREMENTS.



NO.	DATE	REVISIONS	BY	CHK
0	11/22/16	ISSUED FOR REVIEW	MER	MRC