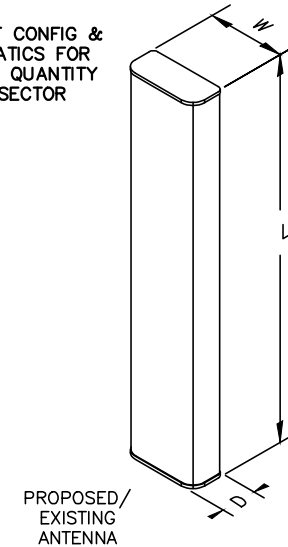


PROPOSED LTE 3C ANTENNA MOUNTING DETAIL
SCALE: N.T.S.

1
A-4

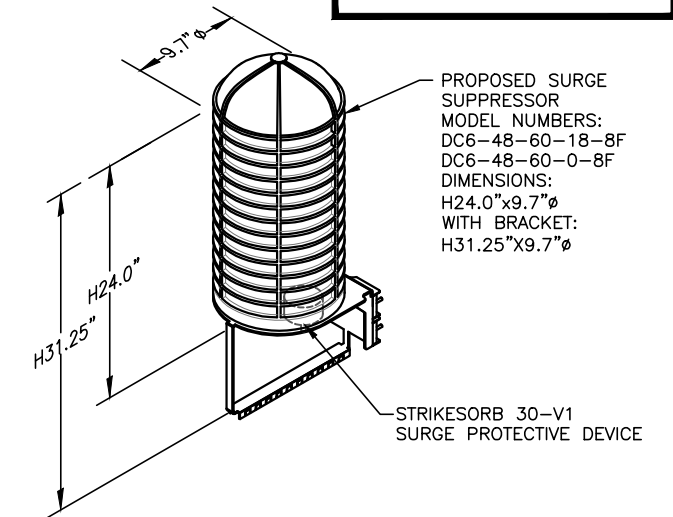
NOTES:
1. REFER TO RF CONFIG & SECTOR SCHEMATICS FOR MODEL, TYPE & QUANTITY REQUIRED PER SECTOR



TECHNOLOGY	POSITION	ANTENNA MODEL	L	W	D
UMTS DB	1	7770	55.0"	11.0"	5.0"
LTE AWS	2	HPA-65R-BUU-H6	72.0"	14.8"	9.0"
LTE 700/PCS	3	AM-X-CD-16-65-00T-RET	72.0"	11.8"	5.9"
GSM 850	4	7770	55.0"	11.0"	5.0"

NOTE:
REFER TO STRUCTURAL ANALYSIS BY: HUDSON DESIGN GROUP, LLC, DATED: JANUARY 04, 2016, FOR THE CAPACITY OF THE EXISTING STRUCTURES TO SUPPORT THE PROPOSED EQUIPMENT.

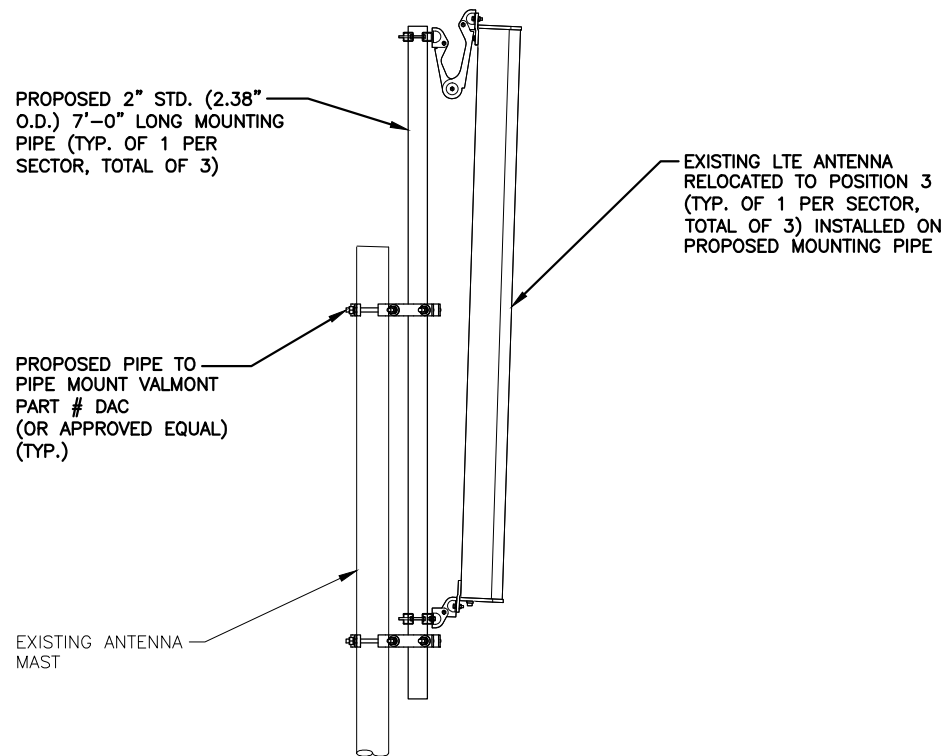
NOTE:
REFER TO THE FINAL RF DATA SHEET FOR FINAL ANTENNA SETTINGS.



NOTE:
MOUNT PER MANUFACTURER'S SPECIFICATIONS.

DC SURGE SUPPRESSOR DETAIL
SCALE: N.T.S.

5
A-4

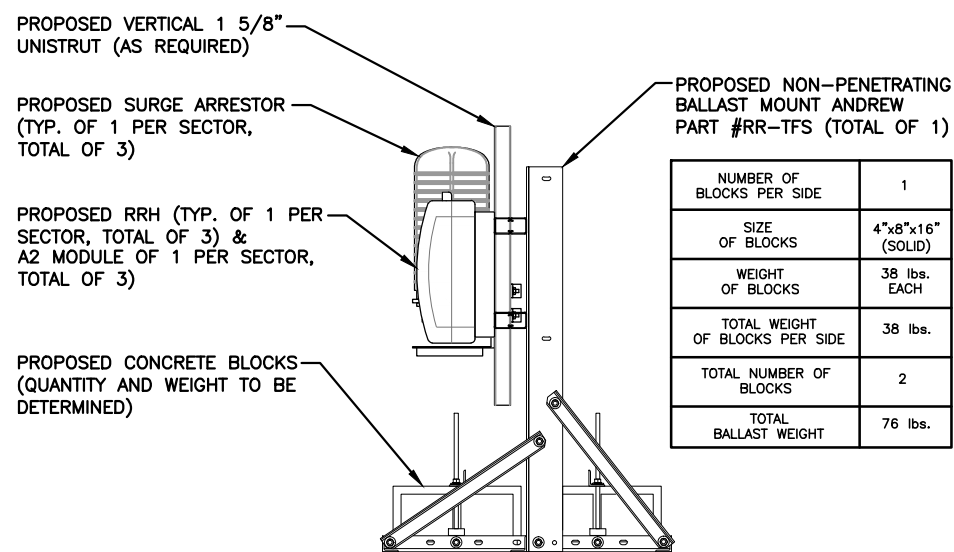


EXISTING RELOCATED LTE ANTENNA MOUNTING DETAIL
SCALE: N.T.S.

2
A-4

ANTENNA DETAIL
SCALE: N.T.S.

3
A-4

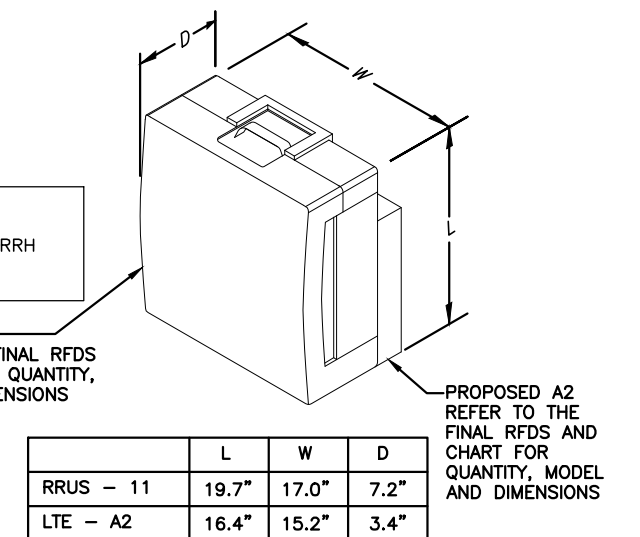


PROPOSED RRH & SURGE ARRESTOR MOUNTING DETAIL
SCALE: N.T.S.

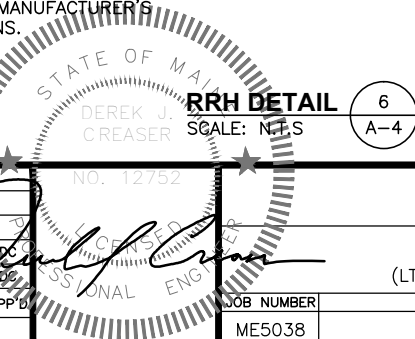
4
A-4

NOTE:
SEE RFDS FOR RRH FREQUENCY AND MODEL NUMBER

PROPOSED RRH REFER TO THE FINAL RFDS AND CHART FOR QUANTITY, MODEL AND DIMENSIONS



NOTE:
MOUNT PER MANUFACTURER'S SPECIFICATIONS.



RRH DETAIL
SCALE: N.T.S.

6
A-4



EMPIRE telecom
16 ESQUIRE ROAD
BILLERICA, MA 01862
TEL: (978) 608-8400

SITE NUMBER: ME5038
SITE NAME: MORRILLS CORNER
880 FOREST AVENUE
PORTLAND, ME 04103
CUMBERLAND COUNTY



NO.	DATE	REVISIONS	BY	CHK	APP'D	JOB NUMBER	DRAWING NUMBER	REV
1	02/23/16	ISSUED FOR PERMITTING	KMS	HC	DC	ME5038	A-4	1
0	12/21/15	ISSUED FOR REVIEW	JR	HC	DC			

SCALE: AS SHOWN DESIGNED BY: HC DRAWN BY: JR

AT&T
DETAILS
(LTE 3C 2016)