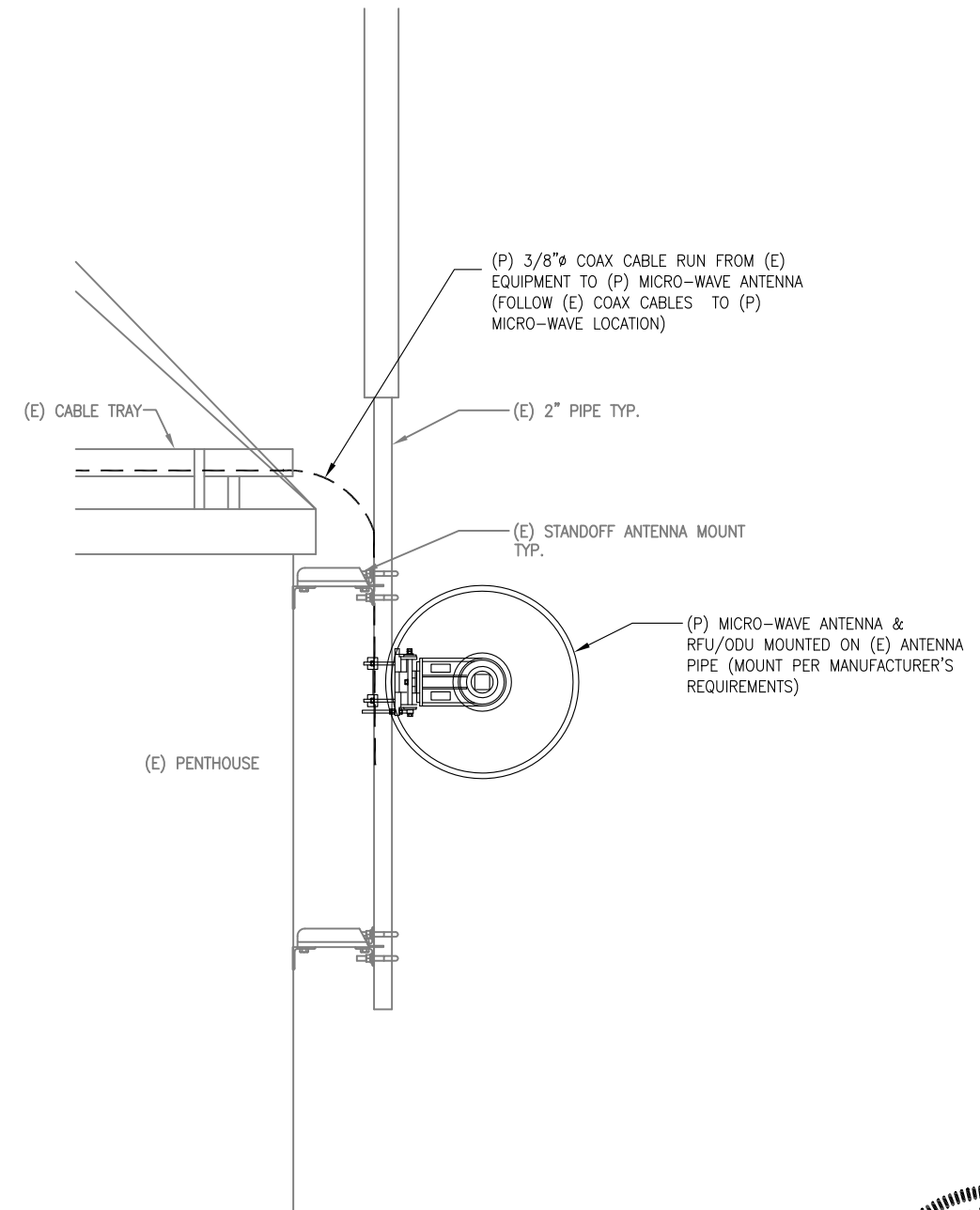


1 MICROWAVE DETAILS
A-2 SCALE: N.T.S.

**MICROWAVE ANTENNA INFORMATION							
SITE NO.	AZIMUTH	RAD CTR, AGL	MFG	MODEL	RADIO MODEL	CABLE	*COAX LENGTH
4DN2202A	9°	110'±	RADIOWAVES	SP2-5.2	EX-5i	CNT-400	60'±

NOTE: *CONTRACTOR TO VERIFY LENGTH OF CABLE REQUIRED IN FIELD
**EQUIPMENT SPECIFICATIONS PROVIDED BY CLIENT



2 MICROWAVE MOUNT DETAILS
A-2 SCALE: N.T.S.



Marc R. Chretien