

Owner:

DIOCESAN
BUREAU
OF HOUSING
880 Forest Avenue
Portland, ME 04103

Contractor:

DICON
CONSTRUCTION

510 Ocean Avenue
Portland, ME 04103

Project:

RENOVATIONS
TO
DEERING
PAVILION
880 Forest Avenue
Portland, ME 04103

Project No: 12404

Drawing Title:

DETAILS

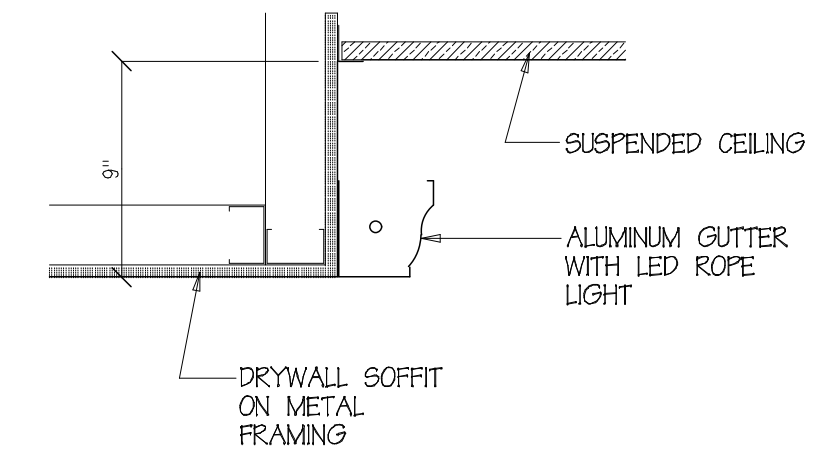
Scale: 1/2" = 1' - 0"

Date: 15 January 2015

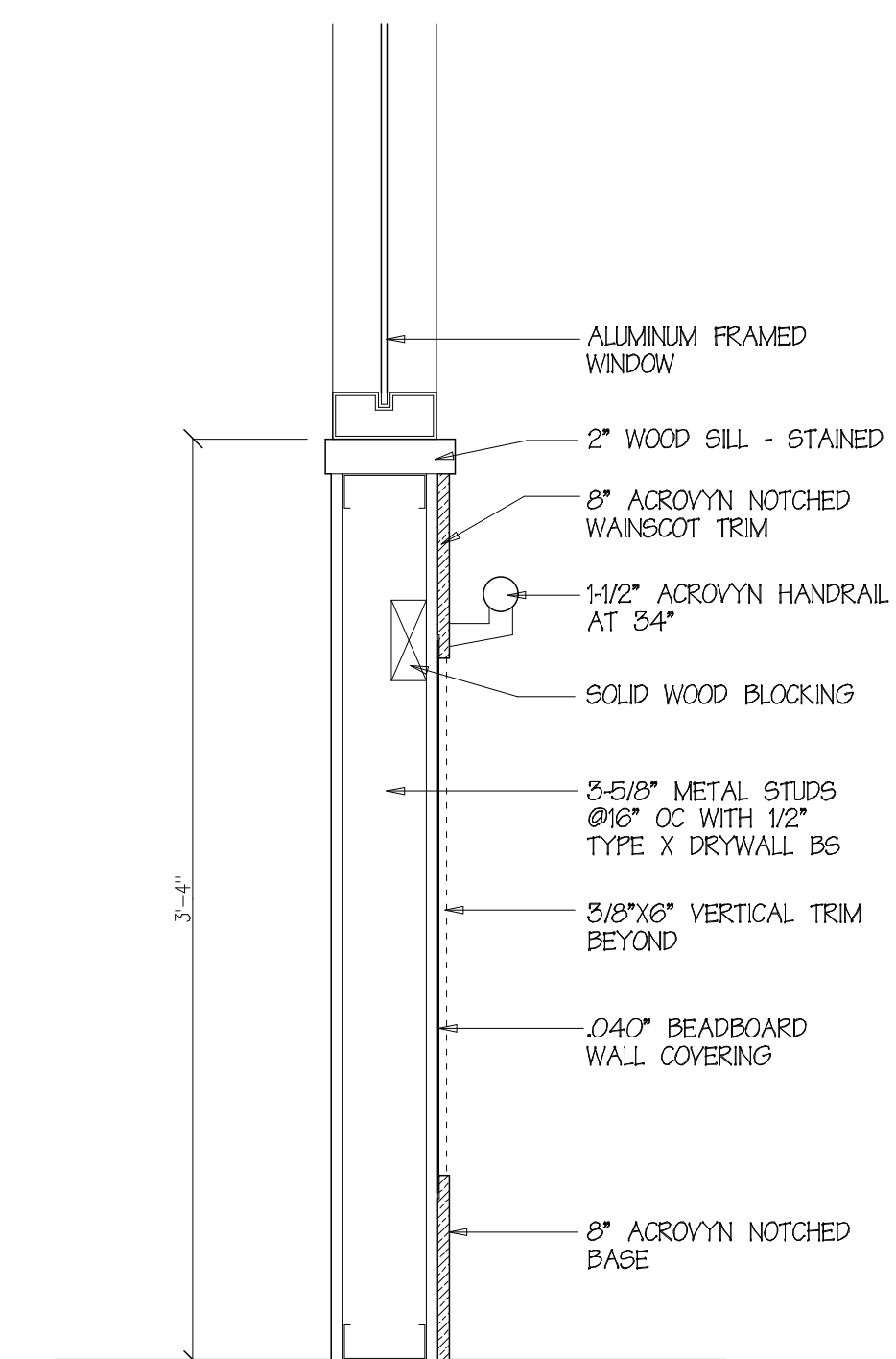
Revision Dates:

Drawing Number:

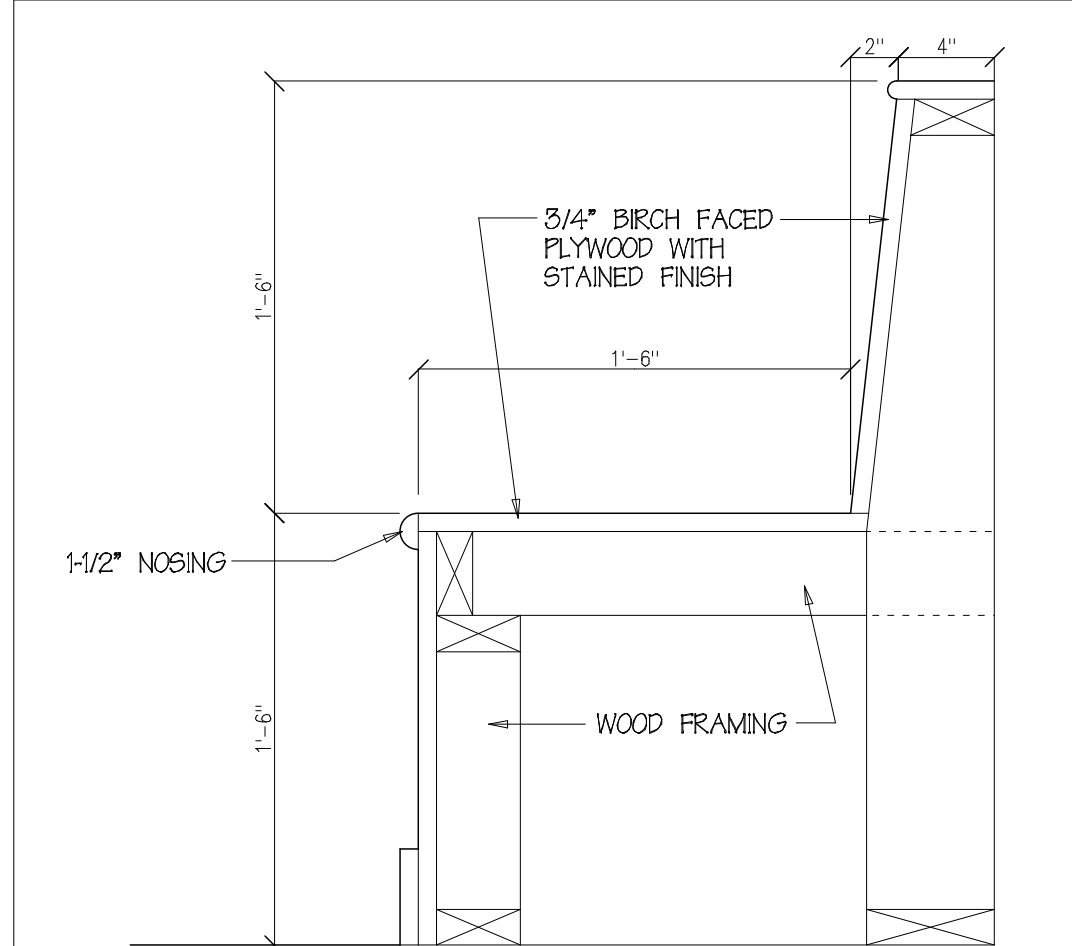
A7.1



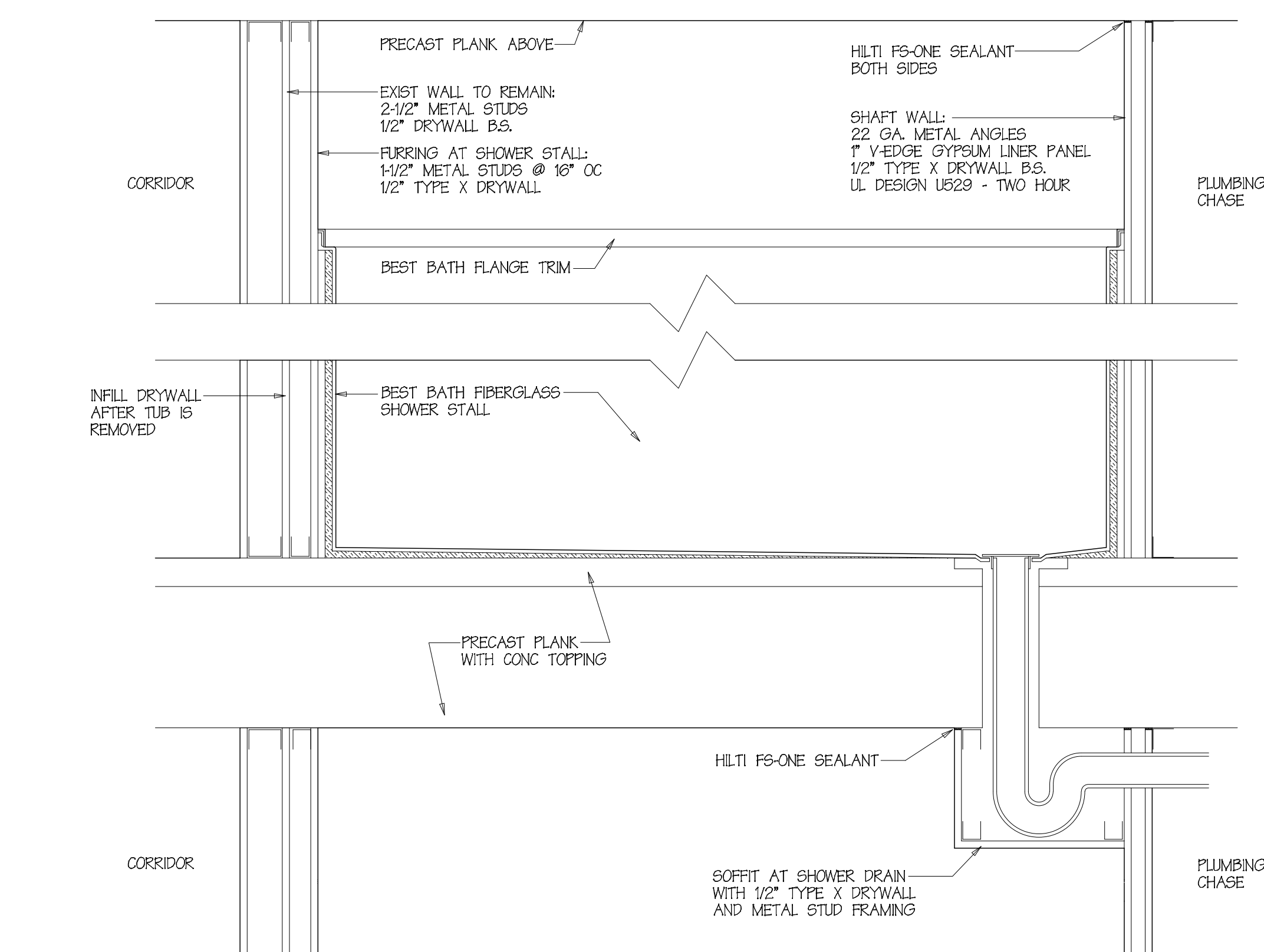
DETAIL AT DINING RM SOFFIT Scale: 1/2" = 1' - 0"



DETAIL AT WAINSCOT PANELING Scale: 1/2" = 1' - 0"



DETAIL OF BENCH Scale: 1/2" = 1' - 0"



SECTION DETAIL THRU SHOWER STALL Scale: 1/2" = 1' - 0"

DETAIL Scale: 1/2" = 1' - 0"

DETAIL Scale: 1/2" = 1' - 0"

DETAIL Scale: 1/2" = 1' - 0"

DETAIL Scale: 1/2" = 1' - 0"

DETAIL Scale: 1/2" = 1' - 0"

DETAIL Scale: 1/2" = 1' - 0"

DETAIL Scale: 1/2" = 1' - 0"

DETAIL Scale: 1/2" = 1' - 0"

DETAIL Scale: 1/2" = 1' - 0"

DETAIL Scale: 1/2" = 1' - 0"

DETAIL Scale: 1/2" = 1' - 0"

DETAIL Scale: 1/2" = 1' - 0"