

PROPOSED RRH

NOTE:
MOUNT PER MANUFACTURER'S SPECIFICATIONS.

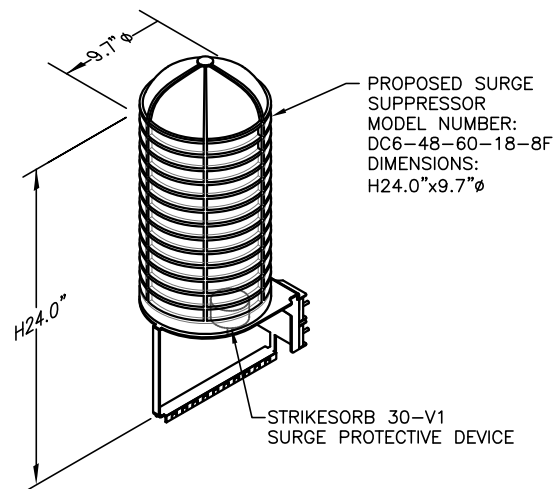
ERICSSON RRH TYPE ASSIGNMENT PER BAND	
BAND	RRH TYPE/MODEL
700 BC	RRUS-11
700 DE	RRUS-E2
850	RRUS-11
PCS	RRUS-12+A2
AWS	IA BUILT IN
WCS	RRUS-32

NOTE:

SEE RFDS FOR RRH FREQUENCY AND MODEL NUMBER

RRH DETAIL

SCALE: N.T.S.



NOTE:
MOUNT PER MANUFACTURER'S SPECIFICATIONS.

DC SURGE SUPPRESSOR DETAIL

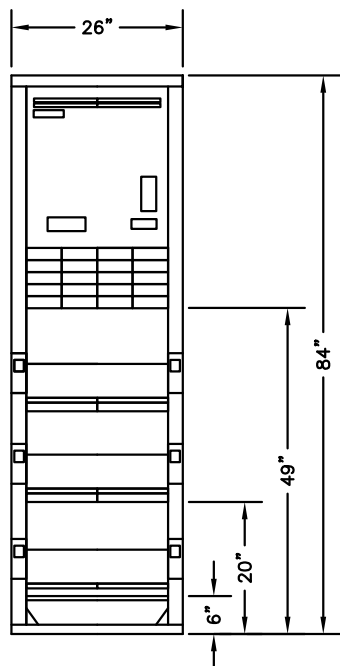
SCALE: N.T.S.

NOTE:

REFER TO STRUCTURAL ANALYSIS BY: HUDSON DESIGN GROUP, LLC, DATED: DECEMBER 20, 2013, FOR THE CAPACITY OF THE EXISTING STRUCTURES TO SUPPORT THE PROPOSED EQUIPMENT.

NOTE:

REFER TO THE FINAL RF DATA SHEET FOR FINAL ANTENNA SETTINGS.

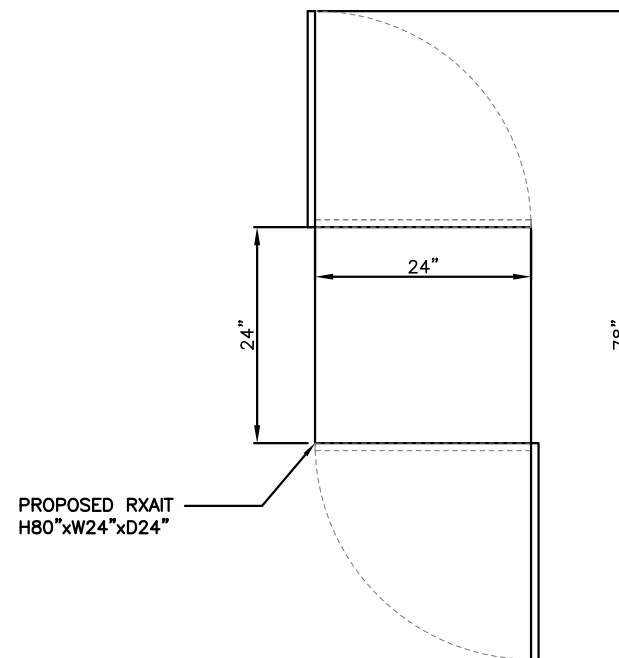
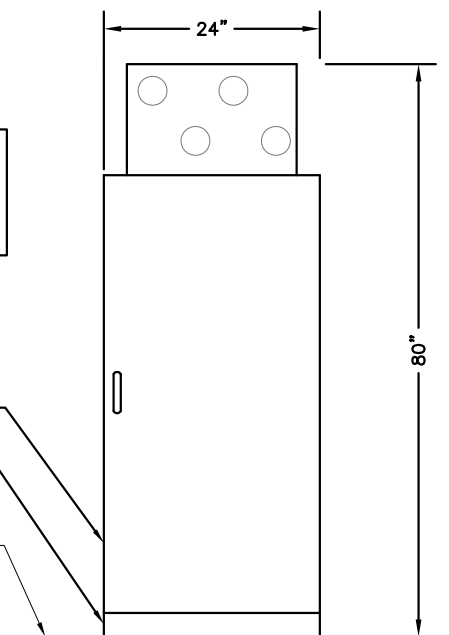


NOTE:
MOUNT PROPOSED EQUIPMENT PER MANUFACTURER'S SPECIFICATIONS

PROPOSED RXAIT
H80"xW24"xD24"

PROPOSED
4" HIGH
PLINTH

EXISTING EQUIPMENT
SHELTER FLOOR



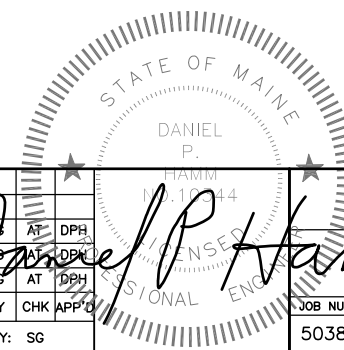
PROPOSED RXAIT
H80"xW24"xD24"

PROPOSED GE POWER PLANT DETAIL

SCALE: N.T.S.

PROPOSED RXAIT DETAIL

SCALE: N.T.S.



1600 OSGOOD STREET
BUILDING 20 NORTH, SUITE 3090
N. ANDOVER, MA 01845
TEL: (978) 557-5553
FAX: (978) 336-5586

27 NORTHWESTERN DR.
SALEM, NH 03079

SITE NUMBER: ME5038
SITE NAME: MORRILLS CORNER

880 FOREST AVENUE
PORTLAND, ME 04101
CUMBERLAND COUNTY



550 COCHITUATE ROAD
FRAMINGHAM, MA 01701

NO.	DATE	REVISIONS	BY	CHK	APP'D	JOB NUMBER	DRAWING NUMBER	REV
2	12/27/13	ISSUED FOR CONSTRUCTION	SG	AT	DPH	5038.01	A-4	2
1	11/20/13	ISSUED FOR CONSTRUCTION	SG	AT	DPH			
A	11/05/13	ISSUED FOR REVIEW	SG	AT	DPH			
SCALE: AS SHOWN DESIGNED BY: AT DRAWN BY: SG								

AT&T

DETAILS (LTE)