

[Air]

[Water]

[Earth]

[Buderus]

Buderus

GB142 Series Wall-Mounted
Gas Condensing Boiler
Output: 84.8 MBH to 214.8 MBH

Improved Efficiencies – 96% AFUE



**Efficiency, Dependability and the Best
Warranty in the Market – Now That's Value.**

96% AFUE Efficiency

Whisper Quiet—Enclosed Housing

*5-Year Parts and Labor Warranty
for residential applications
with registration

Low-Loss Header Manifold for quick
and trouble free installations.

Advanced easy to use control system

4 Models with Inputs from
84,800 to 214,800 BTU/Hr

Comfortable. Efficient. Intelligent Heating.

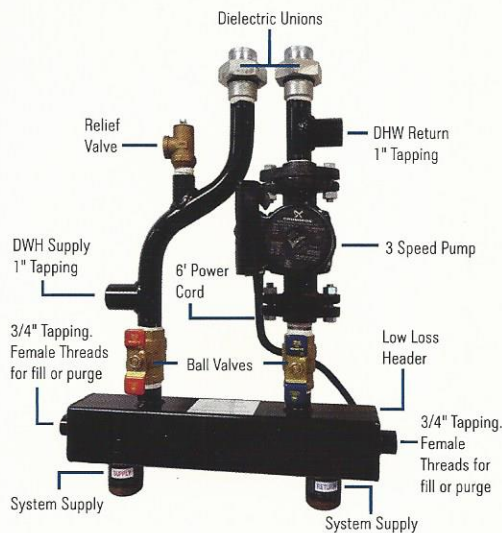
Buderus

Ultra Efficient 96% AFUE Wall-Mounted Boiler

GB142 Series

Model	GB142/24	GB142/30	GB142/45	GB142/60*
Performance Data				
Rated Input (BTU/Hr)	84,800	106,000	160,900	214,800
Output (BTU/Hr)				
(176° / 140° F)	22,700-75,200	28,100-91,500	42,500-142,000	56,800-176,300
(122° / 86° F)	25,300-83,300	30,700-102,400	47,200-158,000	63,200-196,600
AFUE Efficiency	96%	96%	96%	96%
Flue Gas Temperatures (° F)				
(176° / 140° F)	155	167	151	151
(122° / 86° F)	100	100	97	97
CO ₂ Content at Full Load 100% (ppm)	9.2	9.2	9.2	9.2
Rated Emission Factor (ppm) NOx	24	23	23	22
Max Equivalent Vent Length (Ft.)	100	100	100	60
Physical Dimensions				
Height	28"	28"	28"	28"
Width	22"	22"	35 1/2"	35 1/2"
Depth	18 3/4"	18 3/4"	18 3/4"	18 3/4"
Weight (lbs.)	110	110	143	158
Water Content (gallons)	.65	.65	.93	1.2

The state-of-the-art design of the GB142, with integrated controls, is a rare combination of outstanding quality paired with exceptional value. Utilizing advanced condensing

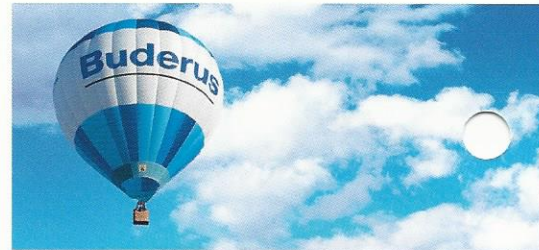


technology, the Buderus GB142 Wall-Mounted Boiler maximizes the heating value of every cubic foot of natural gas or liquid propane. The small size and minimal clearance requirements of the GB142 Boiler provide tremendous installation flexibility. All GB142 Boilers now come with the AM10 outdoor reset control and DHW sensor for control of an indirect DHW tank. The GB142 is approved for 3" solid core PVC horizontal and vertical venting.

The small size and minimal clearance requirements of the GB142 Boiler provide tremendous installation flexibility. Thanks to the prefabricated low-loss header, the GB142 Boiler has the fastest installation in the industry. Specially designed with an appropriately sized circulator, this manifold ensures proper flow-rate through the unit. This feature greatly extends the service life of the GB142. By simplifying the piping, the GB142 manifold allows for quicker, easier, and trouble-free installation.



Residential applications receive a free 5-year parts and labor warranty with product registration.



A Tradition of Excellence

The World's leader in heating technologies since 1825, Buderus produced the world's first low-temperature hydronic heating systems. Today, Buderus products are acknowledged as the world standard in high-efficiency, low emissions hydronic heating. All Buderus products are designed to meet strict safety and environmental regulations.

Buderus boilers are quick and easy to install and will outlast and outperform virtually any other hot water heating system. They are designed for easy access and service. With appropriate maintenance, Buderus boilers deliver the highest possible efficiencies throughout the lifespan of operation.

In 2008 Buderus became a member of the Bosch Group, representing the Bosch, Buderus and FHP brands with products that are designed to improve efficiency, reliability and are environmentally friendly. Bosch Thermotechnology offers floor-standing and wall hung boilers, water heaters, solar thermal systems, geothermal heat pumps, control systems and tankless water heaters.

Approvals and Certifications

Approval Numbers

MAP # G3-0610-523

MEA # 229-05-E



GB142 models qualify for many federal, state, local, and utility rebates such as Gas Networks in Massachusetts. Rebate programs are subject to availability and restrictions. Check our web site for information on available rebates in your area.