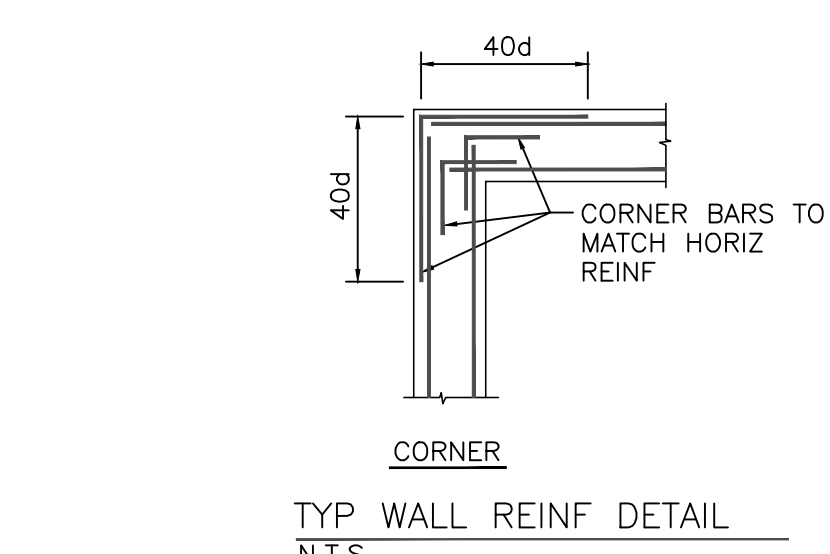
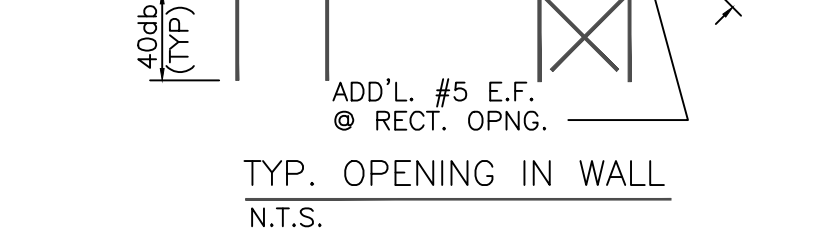
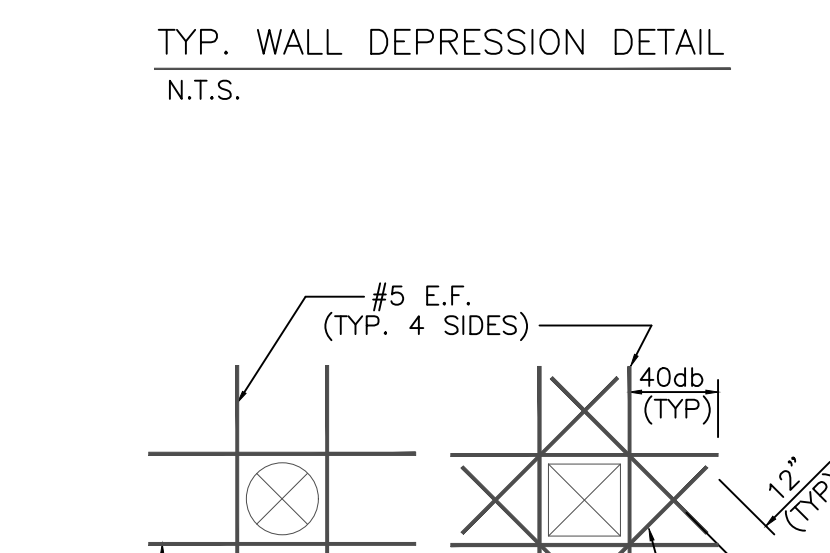
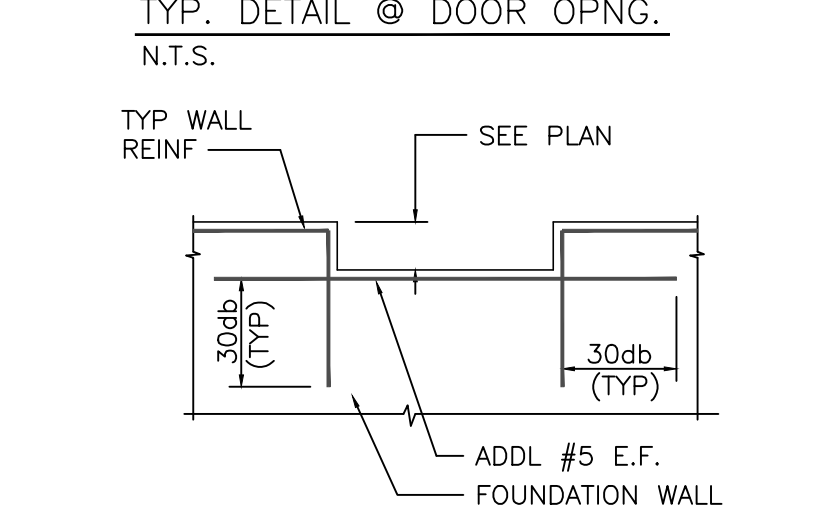
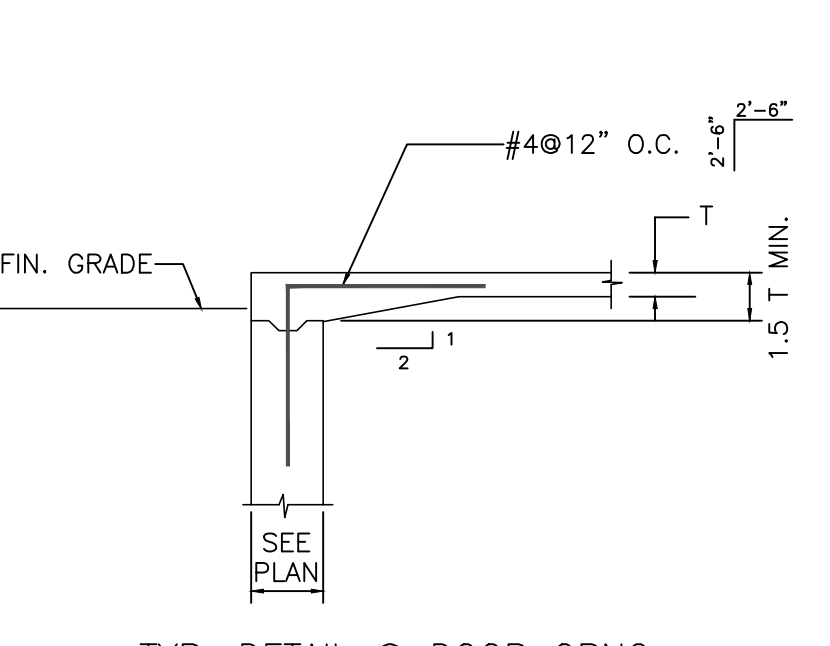
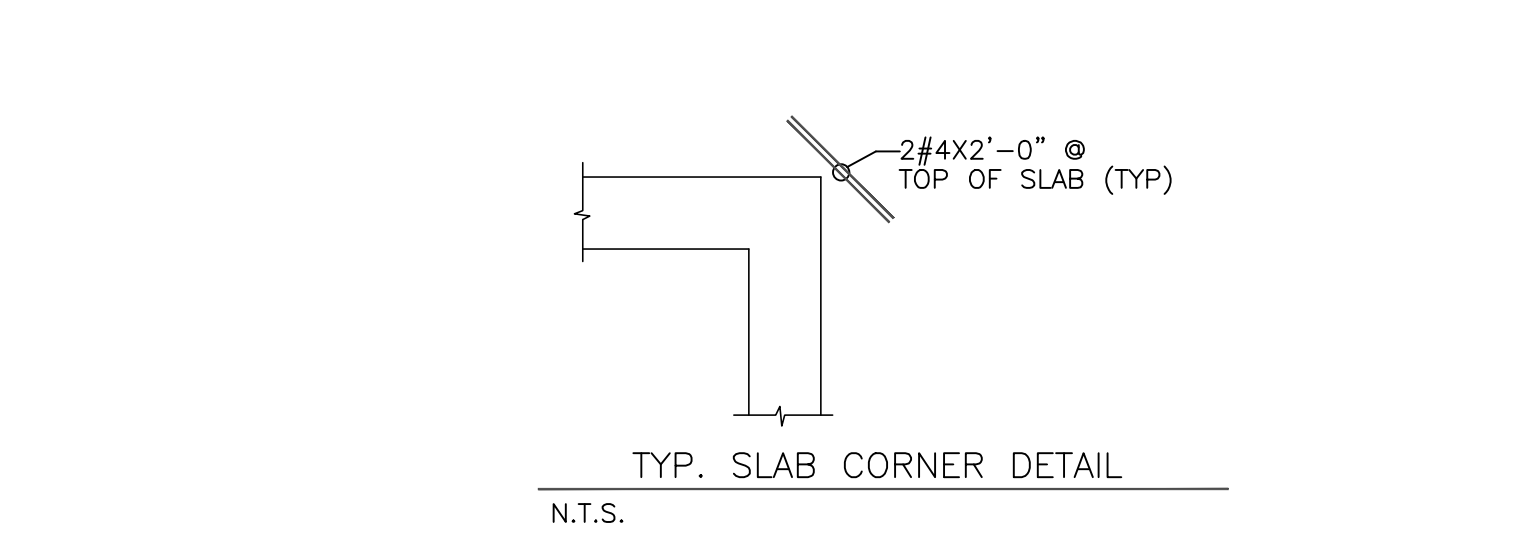
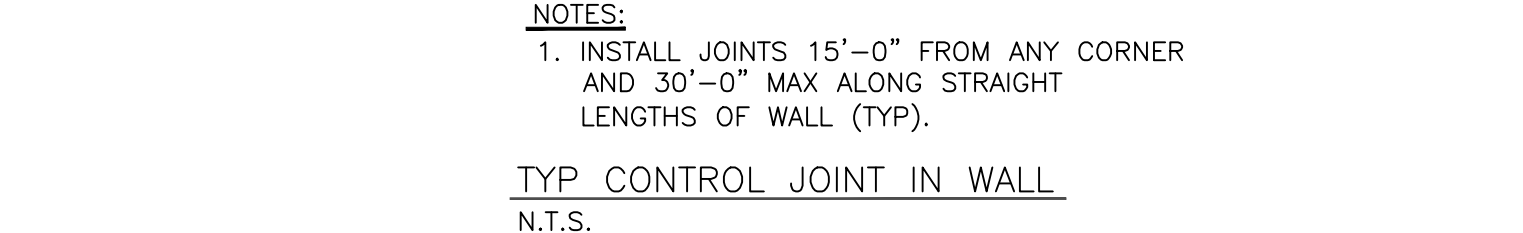
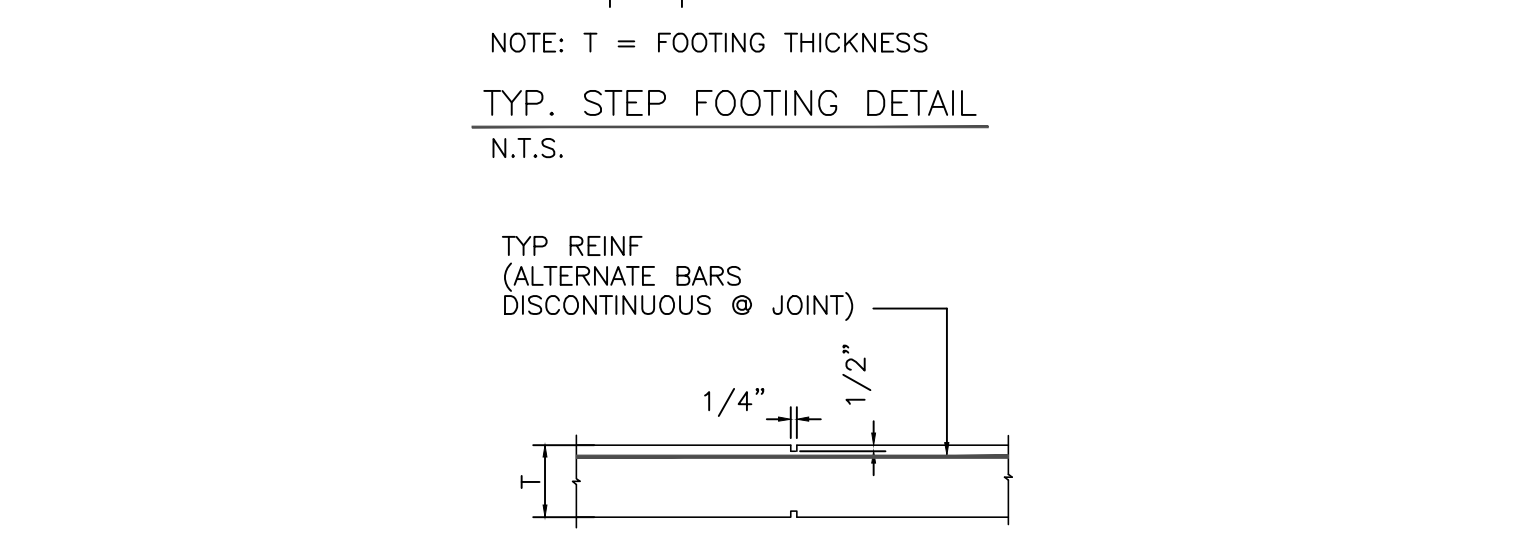
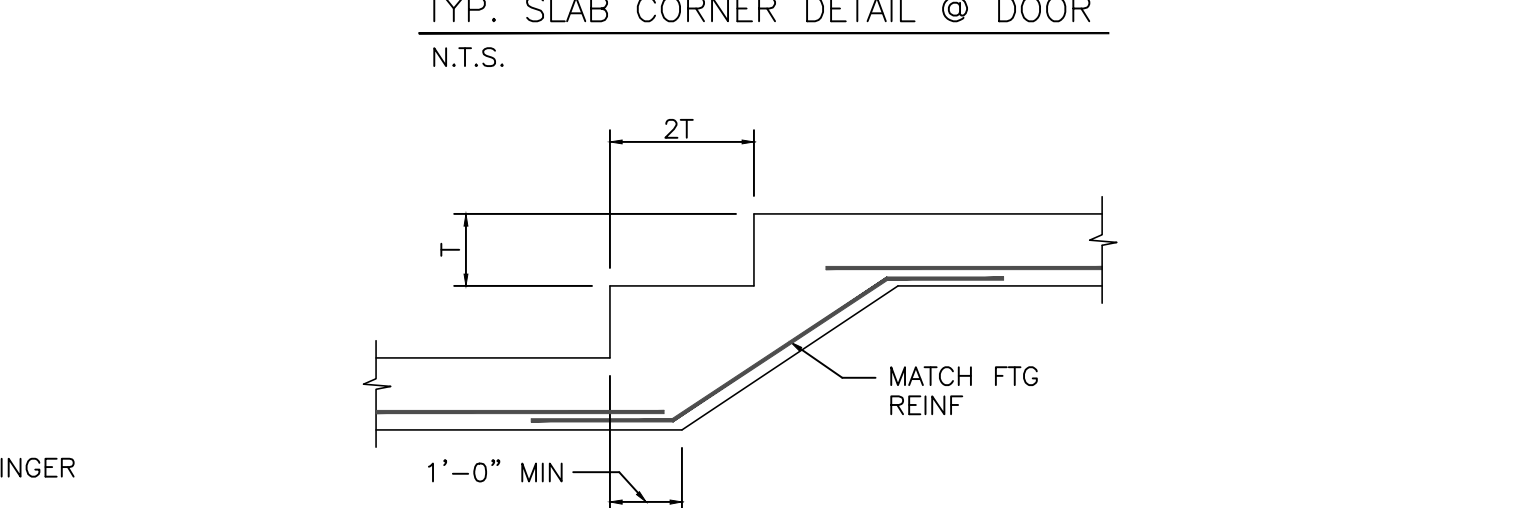
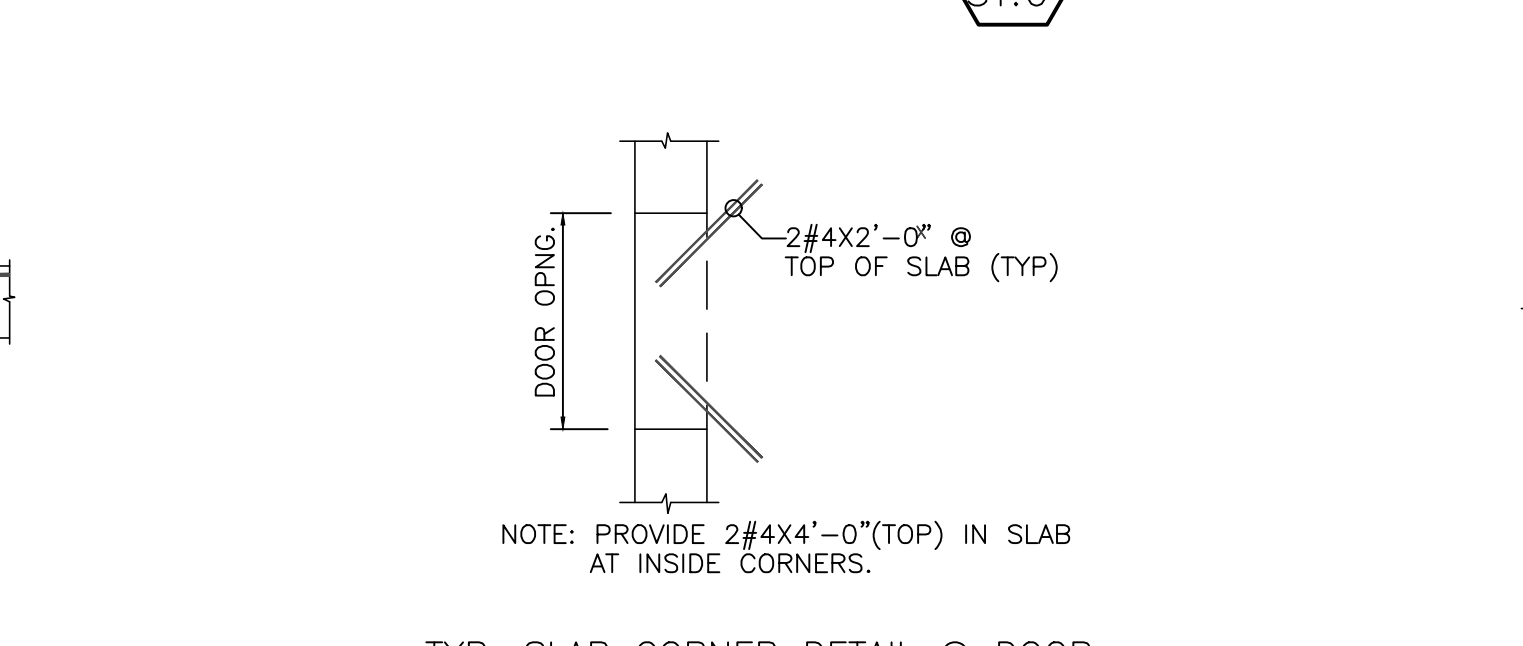
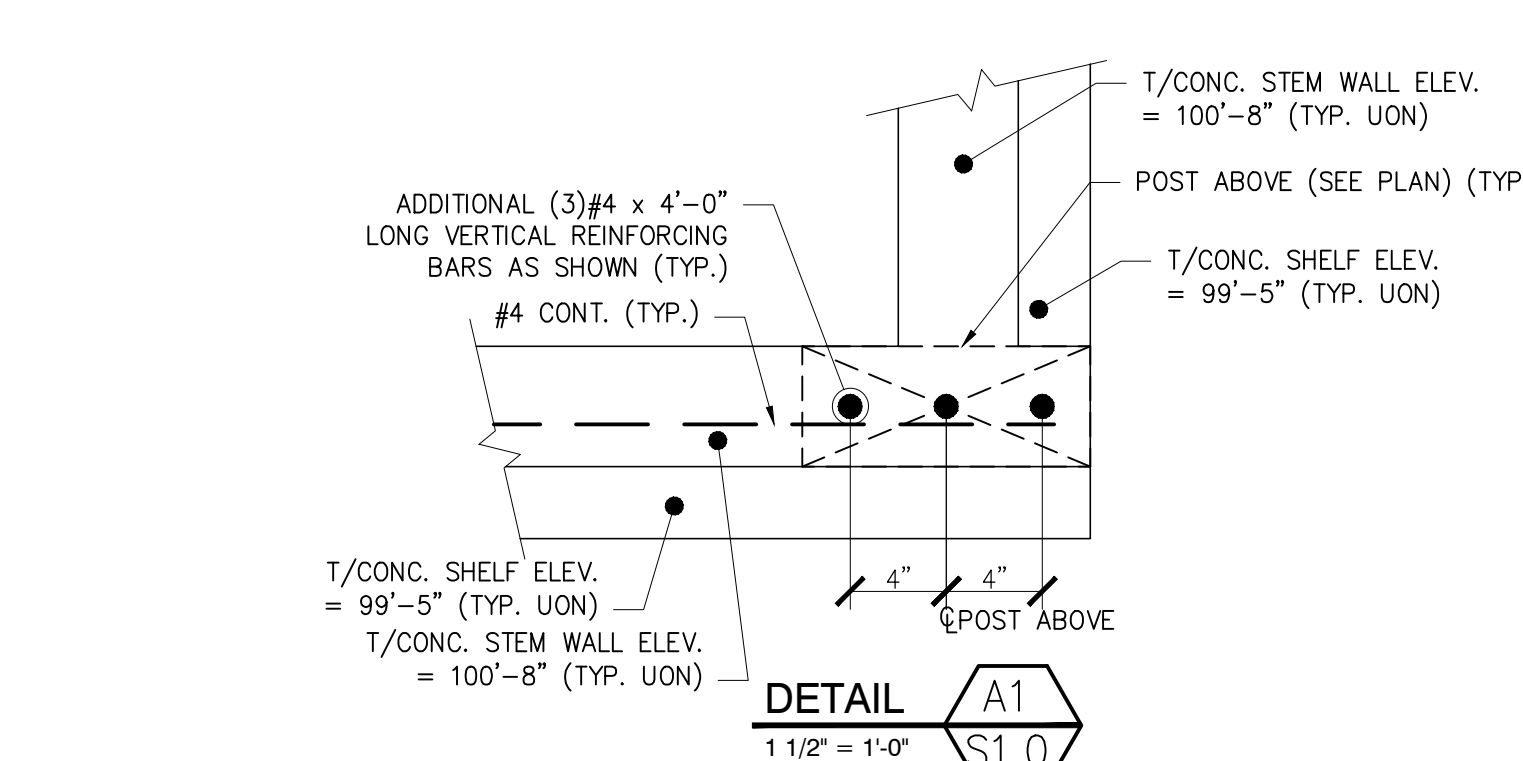
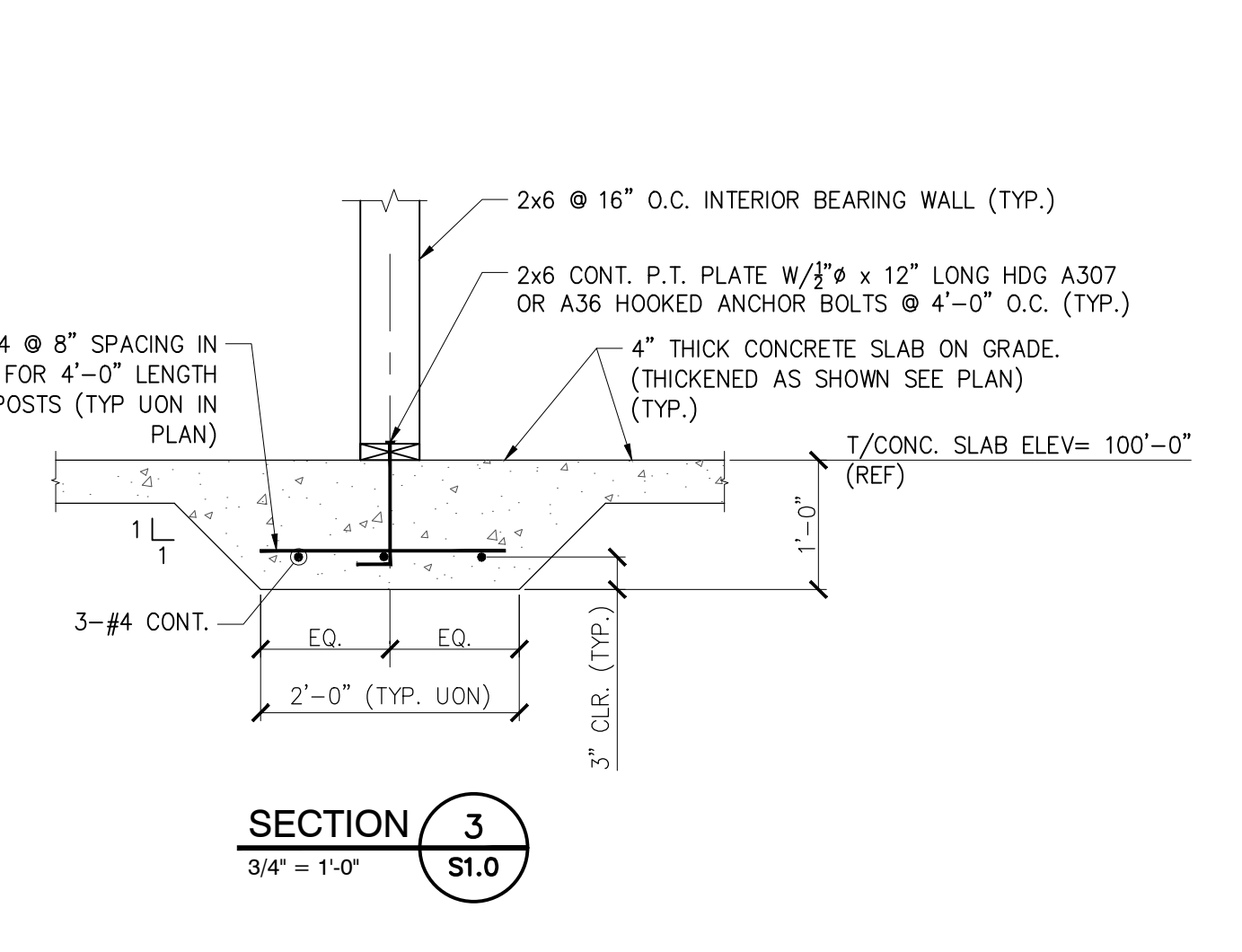
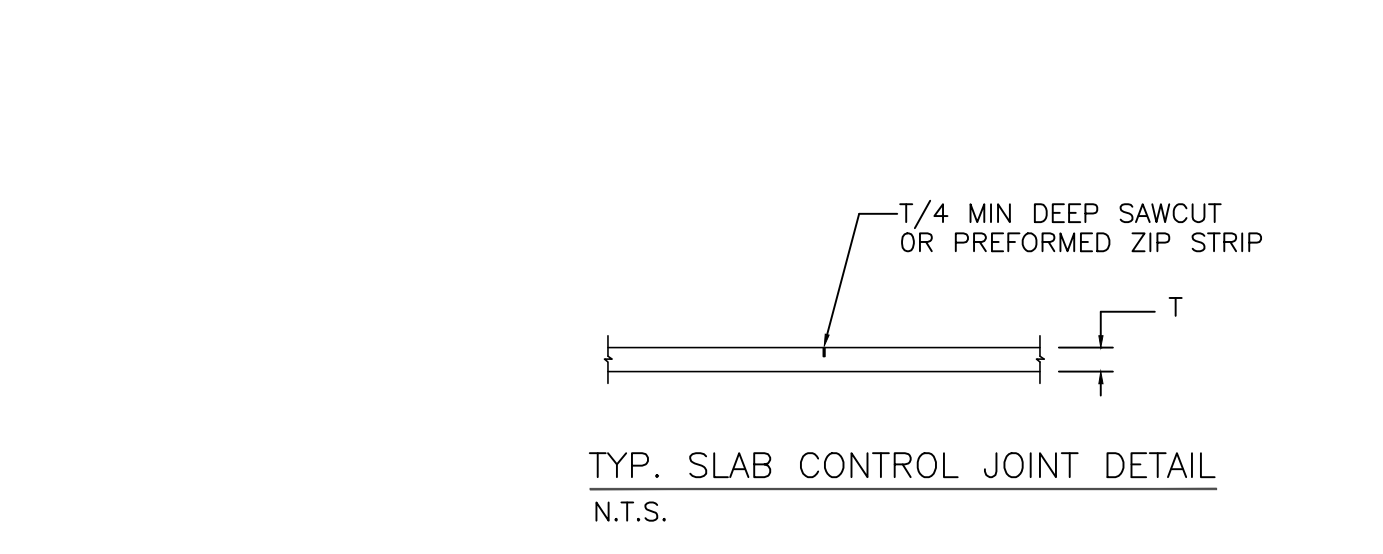
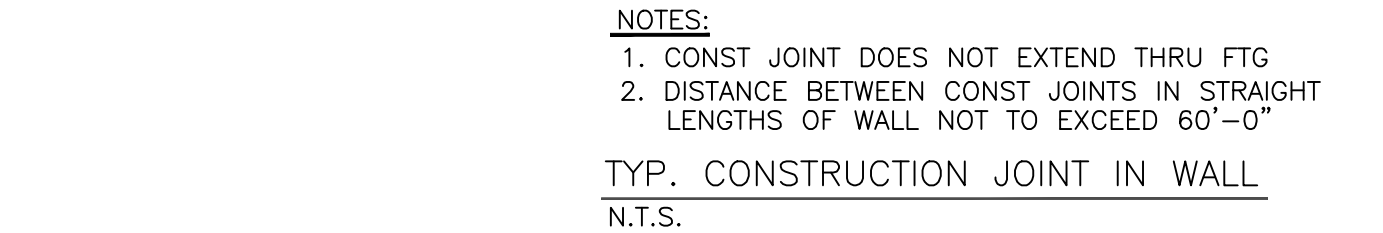
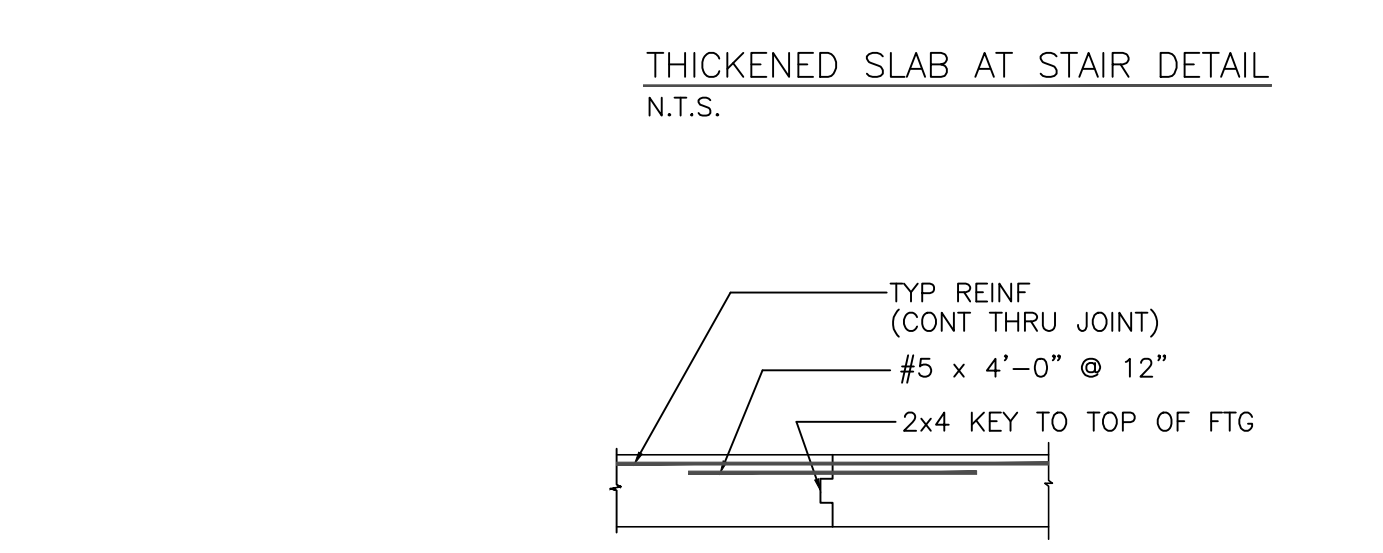
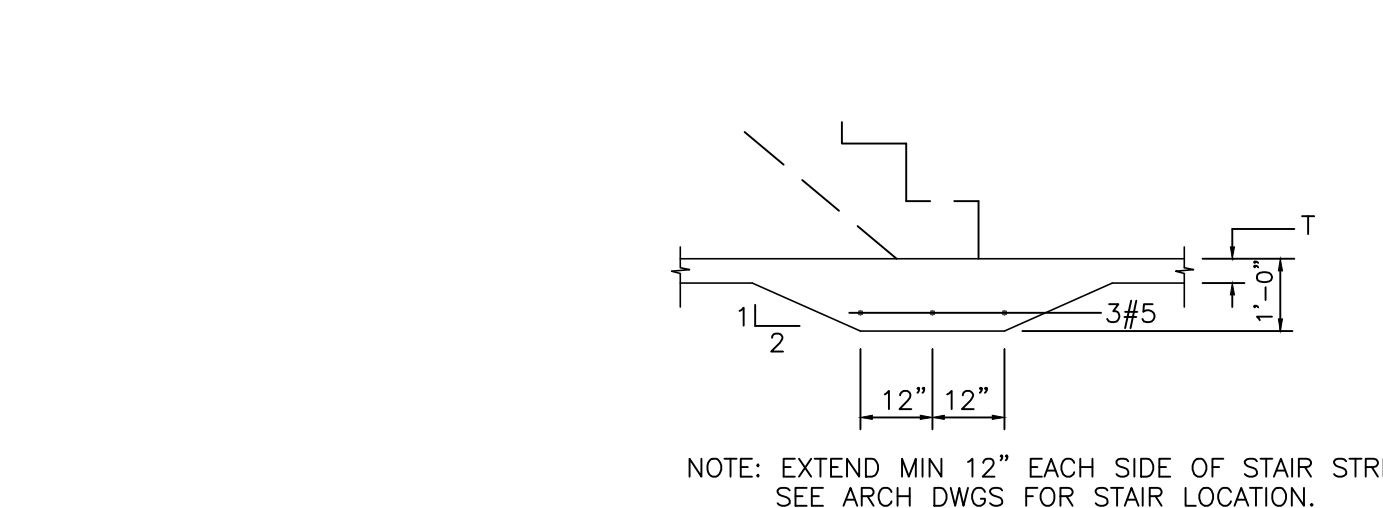
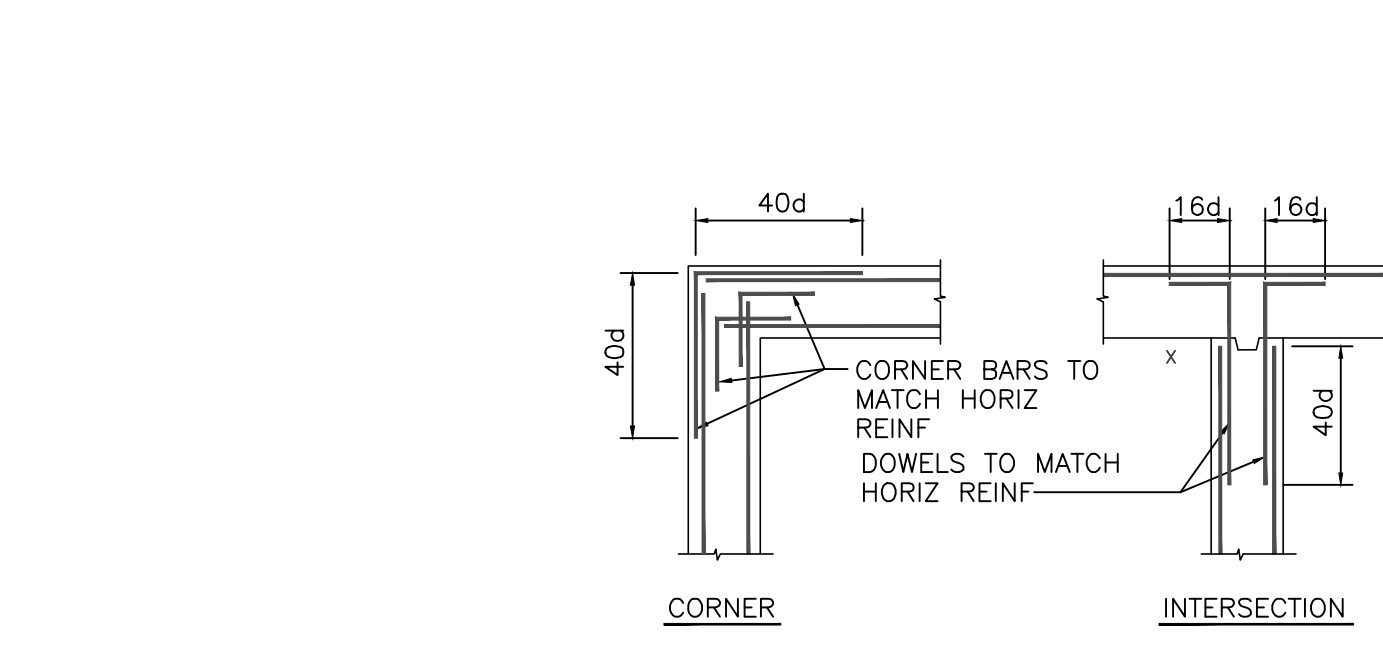
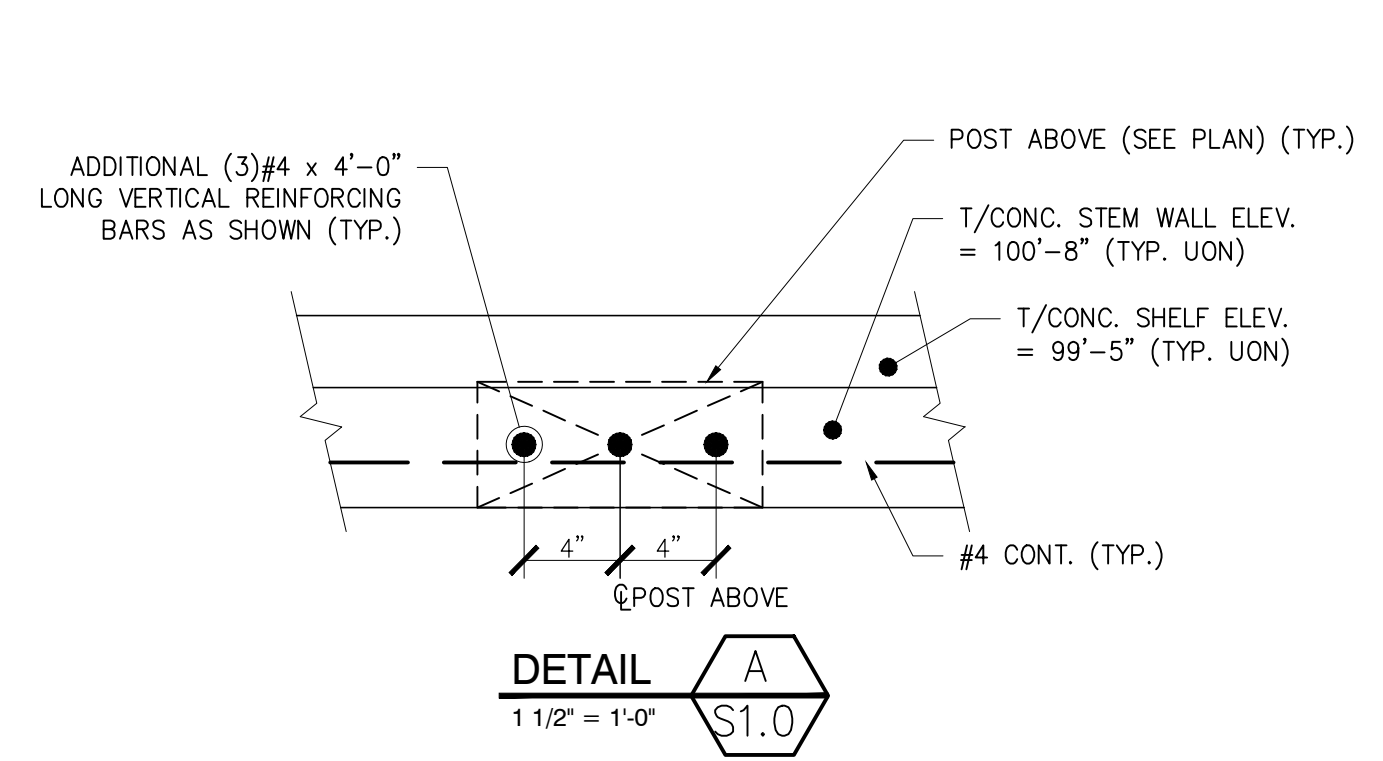
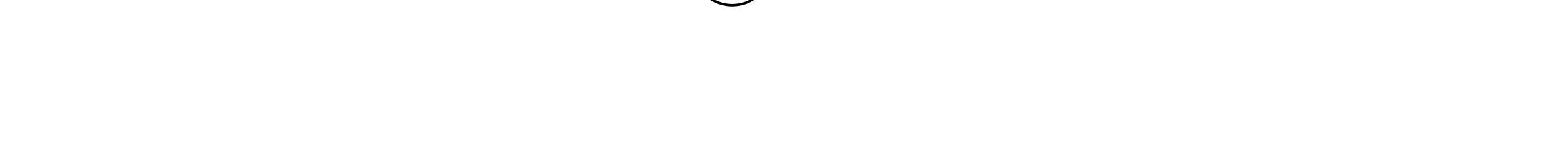
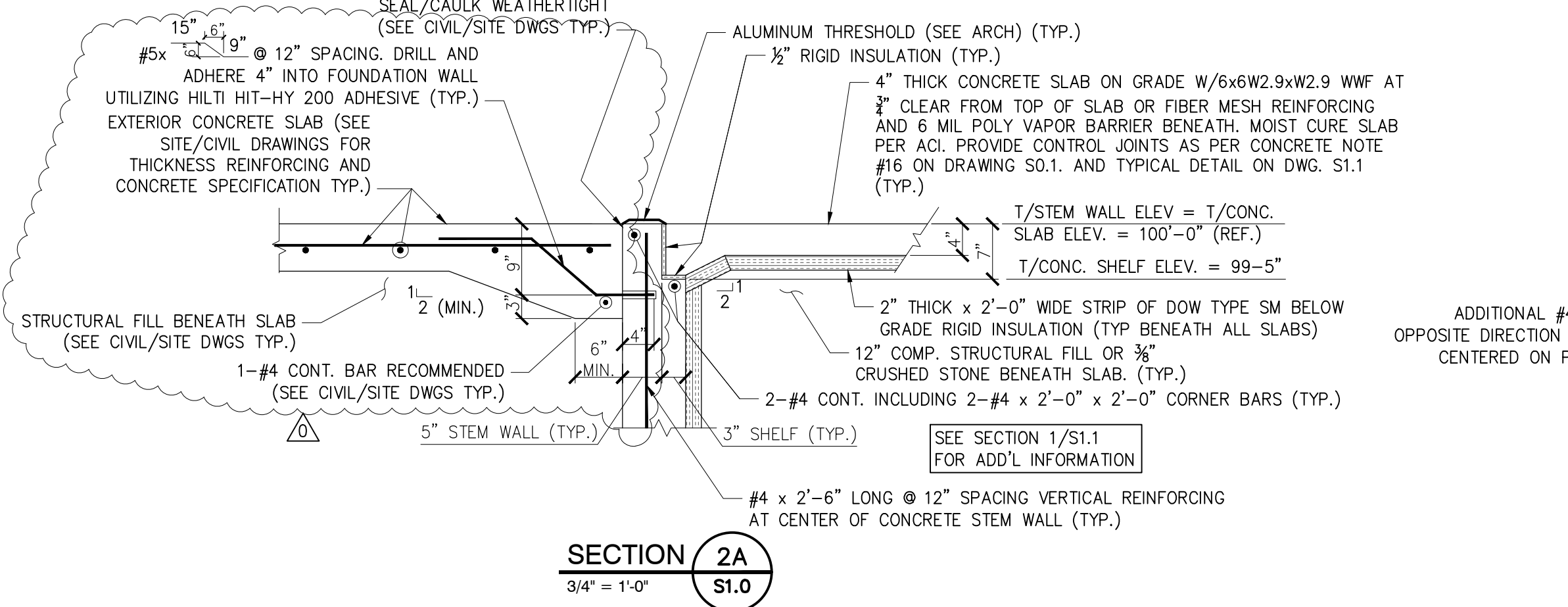
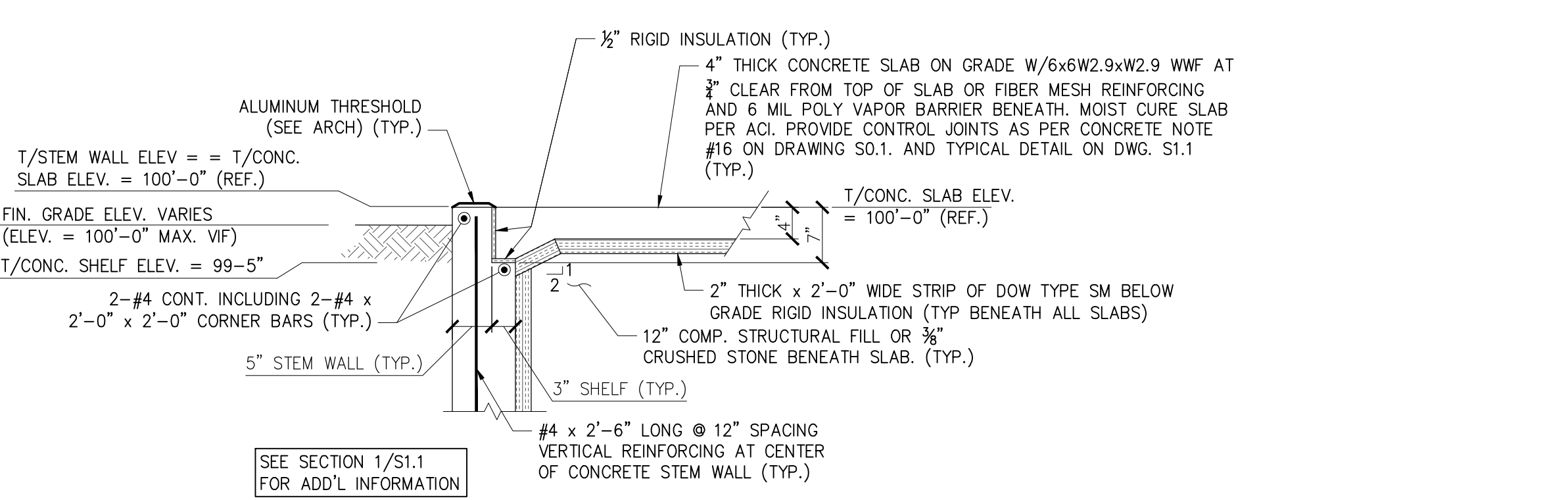
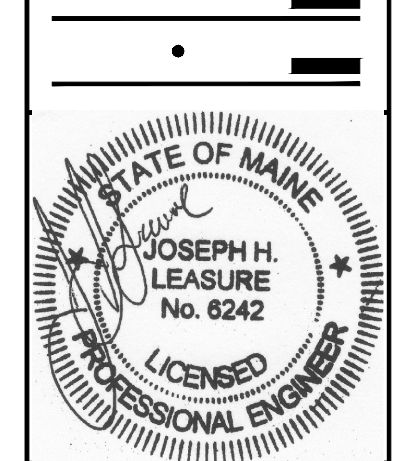


NOTE: IF FOUNDATION OR PORTION OF THE FOUNDATION IS TO BE SUPPORTED ON BEDROCK, G.C. SHALL CONSULT WITH GEOTECHNICAL AND STRUCTURAL ENGINEER OF RECORD FOR POTENTIAL MODIFICATIONS WHICH MAY OR MAY NOT INCLUDE (TO BE DESIGNED) A LAYER OF 1'-0" THICK x 4'-0" WIDE CRUSHED STONE WRAPPED IN FILTER FABRIC BENEATH THE FOOTING (TBD.) AND ADDITIONAL REINFORCING IN THE FOUNDATION WALL AND/OR FOOTING (TBD.).



L & L STRUCTURAL ENGINEERING SERVICES, INC.
 SIX O. STREET
 SOUTH PORTLAND, MAINE 04106
 PHONE: (207) 767-4830
 FAX: (207) 799-5432
 EMAIL: LLEASURE@LL-ENG.COM



| rev. | date | description | designed by | checked by | scale | date | plot date | project # |
|------|----------|-------------------------|-------------|------------|-------|------|-----------|-----------|
| A | 01/20/17 | PRICING & PERMIT ONLY | JHL | JHL | | | | |
| B | 02/03/17 | REV BLDG PLAN/OMIT BSMT | JHL | JHL | | | | |
| C | 02/09/17 | DESIGN DEVELOPMENT | JHL | JHL | | | | |
| D | 04/11/17 | PRICING & PERMIT ONLY | JHL | JHL | | | | |
| E | 05/10/17 | PRICING & PERMIT ONLY | JHL | JHL | | | | |

BUILDING LOCATED AT
 502 DEERING CENTER
 PORTLAND, MAINE

FOUNDATION SECTIONS AND DETAILS

S1.1

THESE DRAWINGS HAVE BEEN DEVELOPED BY L&L STRUCTURAL ENGINEERING SERVICES, INC. FOR THE TITLED SET ONLY. THE DRAWINGS ARE THE SOLE PROPERTY OF L&L ENGINEERING SERVICES, INC. AND THEY SHALL NOT BE USED, LENT, COPIED OR ALTERED WITHOUT THE WRITTEN CONSENT OF L&L STRUCTURAL ENGINEERING SERVICES, INC.