

TEMPERATURE MIXING VALVE PERFORMANCE SCHEDULE

TAG	FLOW RATE (GPM)	INLET CONNECTION (INCHES)	OUTLET CONNECTION (INCHES)	W/P.D (PSIG)	SET POINT (DEGREES F)	PROVIDE SPARE CARTRIDGE (Y) OR (N)	BASIS OF DESIGN - POWERS HYDROGUARD		
TMV	05-60	3/4"	3/4"	50	120°F	Y	SERVICE	ARRANGEMENT	MODEL
							DHW	INLINE	LFLM49I

EXPANSION TANK PERFORMANCE SCHEDULE

TAG	TANK VOLUME (GAL)	ACCEPTANCE VOLUME (GAL)	MIN. REQ'D ACCEPT VOL. (GAL)	MAX. WORK'G TEMPERATURE (DEG F)	MAX. WORK'G PRESSURE (PSI)	WEIGHT (LBS)	BASIS OF DESIGN - AMTROL		
ET	30	-	-	200	150	80	MOUNTING	SERVICE	MODEL
							INLINE	DOM. HU	9T-5-C

BFP PERFORMANCE SCHEDULE

TAG	SIZE	FLOW RATE (GPM)	W/P.D (PSI)	MAX. WORK'G TEMPERATURE (DEGREES F)	MAX. WORK'G PRESSURE (PSI)	TESTABLE (Y) OR (N)	BASIS OF DESIGN - ZURN-WILKINS		
BFP-1	1-1/2"	400	120	180	115	Y	BODY STYLE	SERVICE	MODEL
							RPZ	WATER ENTRANCE	915XL2
BFP-2	1-1/2"	400	120	180	115	Y	RPZ	WATER ENTRANCE	915XL2

LOUVER PERFORMANCE SCHEDULE

TAG	AIR FLOW (CFM)	SP LOSS (INWG)	AIR VEL. (FFM)	SIZE (INCHES) (W x H)	FREE AREA (SQFT)	DRAINABLE (Y) OR (N)	BLADE ANGLE & FRAME DEPTH	BASIS OF DESIGN - RUSKIN	
L-1	510	0.01	-	18x16	0.88	Y	31-1/2", 6"	SERVICE	MODEL
								ERV'S EXHAUST	ELF6315DX
L-2	510	0.01	-	18x16	0.88	Y	31-1/2", 6"	ERV'S INTAKE	ELF6315DX

ELECTRIC CABINET UNIT HEATER PERFORMANCE SCHEDULE

TAG	OUTPUT (MBH)	AIRFLOW (CFM)	THROW	MTG.HT. (FEET)	ELECTRICAL REQUIREMENTS			BASIS OF DESIGN - BERKO		
CUH-1	136	-	-	-	AMPS	WATTS	V/PH/Hz	SERVICE	ARRANGEMENT	MODEL
					192	4000	208/1160	SPACE HEAT	RECESSED CEILING	FFCH548/FFCH-RE

PROVIDE WITH REMOTE THERMOSTAT.

ELECTRIC WALL HEATER PERFORMANCE SCHEDULE

TAG	OUTPUT (MBH)	AIRFLOW (CFM)	THROW	MTG.HT. (FEET)	ELECTRICAL REQUIREMENTS			BASIS OF DESIGN - BERKO		
WH-1	6.1	-	-	-	AMPS	WATTS	V/PH/Hz	SERVICE	ARRANGEMENT	MODEL
					1800	120/1160	120/1160	SPACE HEAT	WALL	FRC1512F
WH-2	5.1	-	-	-	1500	120/1160	120/1160	SPACE HEAT	WALL	FRC1512F

ELECTRIC KICKSPACE HEATER PERFORMANCE SCHEDULE

TAG	OUTPUT (MBH)	AIRFLOW (CFM)	THROW	MTG.HT. (FEET)	ELECTRICAL REQUIREMENTS			BASIS OF DESIGN - BERKO		
KSH-1	6.2	-	-	-	AMPS	WATTS	V/PH/Hz	SERVICE	ARRANGEMENT	MODEL
					1500	120/1160	120/1160	SPACE HEAT	KICKSPACE	QT91500T

ELECTRIC BASEBOARD HEATER PERFORMANCE SCHEDULE

TAG	OUTPUT (MBH)	LENGTH (FT-IN)	MTG.HT. AFF (IN)	ELECTRICAL REQUIREMENTS			BASIS OF DESIGN - BERKO	
EBB-1	2.5	3'-0"	-	KW	V/PH/Hz	SERVICE	MODEL	
				0.15	120/1160	MULTIPLE	BKOC25126W	
EBB-2	1.1	2'-6"	-	0.5	120/1160	MULTIPLE	BKOC2513W	

** MOUNTING HEIGHT SHALL BE PER MANUFACTURER'S RECOMMENDATIONS

ELECTRIC WATER HEATER PERFORMANCE SCHEDULE

TAG	STORAGE (GALS)	REC.VRY. @ 100°F	ELECTRICAL REQ'S		BASIS OF DESIGN - A.O. SMITH	
EWH-1	400	210	WATTS	V/PH/Hz	SERVICE	MODEL
			4500/4500	240/1160	DOM HU	PNT-40

TANKLESS WATER HEATER PERFORMANCE SCHEDULE

TAG	MIN FLOW (GPM)	RISE AT 0.5 GPM (DEG F)	ELECTRICAL REQ'S		BASIS OF DESIGN - ECOSMART	
EWH-2	0.25	41	WATTS	V/PH/Hz	SERVICE	MODEL
			3500	120/1160	DOM HU	POU 3.5

HEAT PUMP AIR HANDLER PERFORMANCE SCHEDULE

TAG	TOTAL COOLING (MBH)**	SENS. COOLING (MBH)**	TOTAL HEATING (MBH)**	AIRFLOW (CFM)	COND. DRAIN (IN)	SOUND RATING (DB)	WEIGHT (LBS)	REFRIGERANT PIPE SIZE (IN)		ELECTRICAL REQUIREMENTS			CU SYSTEM TAG	BASIS OF DESIGN - MITSUBISHI		
								LIQUID	GAS	MCA	MAX FUSE	V/PH/Hz		SERVICE	ARRANGEMENT	MODEL
SAC-2A1, SAC-3A1	112	-	216	498	5/8"	49	22	1/4"	1/2"	10	-	208/1160	***	HEAT/COOL	WALL MTD	M5Z-GE10NA-9
SAC-2B1, SAC-3B1	120	-	14.4	399	5/8"	45	22	1/4"	3/8"	10	-	208/1160	***	HEAT/COOL	WALL MTD	M5Z-GE10NA-9
SAC-2C1, SAC-3C1																
SAC-2A4, SAC-3A4	90	-	10.9	364	5/8"	43	22	1/4"	1/2"	10	-	208/1160	***	HEAT/COOL	WALL MTD	M5Z-GE09NA-9
SAC-2A2, SAC-2A3, SAC-3A2,	60	-	12	364	5/8"	43	22	1/4"	1/2"	10	-	208/1160	***	HEAT/COOL	WALL MTD	M5Z-GE06NA-9
SAC-3A3, SAC-2B2, SAC-3B2																
SAC-2C2, SAC-3C2																

PROVIDE ALL SAC UNITS WITH CONDENSATE PUMPS

HEAT PUMP CONDENSING UNIT PERFORMANCE SCHEDULE

TAG	TOTAL COOLING (MBH)**	TOTAL HEATING (MBH)**	REFRIGERANT	APPROX. REFRIG. CHARGE	MINIMUM AMBIENT TEMP (°F)	FOOTPRINT DIMENSION (INCHES)	OPERATING WEIGHT (LBS)	ELECTRICAL REQUIREMENTS			BASIS OF DESIGN - MITSUBISHI 'HYPERHEAT H21'			
								MCA	MAX FUSE	V/PH/Hz	COMP. STAGING	SOUND (BEL)	SERVICE	MODEL
SCU-A	480	540	R-410A	-	-13°F	42x14x53	216	25	50	208/1160	13%-100%	-	HEAT/COOL	MXZ-8C40NAHZ
SCU-B	360	450	R-410A	-	-13°F	42x14x53	216	42	50	208/1160	11%-100%	-	HEAT/COOL	MXZ-4C36NAHZ
SCU-2A, SCU-3A	360	450	R-410A	-	-13°F	42x14x53	216	42	50	208/1160	11%-100%	-	HEAT/COOL	MXZ-4C36NAHZ
SCU-2B, SCU-3B, SCU-2C, SCU-3C	180	220	R-410A	-	-13°F	38x14x42	181	28.9	40	208/1160	33%-100%	-	HEAT/COOL	MXZ-2C20NAHZ

PROVIDE ALL UNITS WITH WIND BAFFLES AND 24" TALL STANDS. PROVIDE BRANCH SELECTOR BOXES WHERE NECESSARY

FAN PERFORMANCE SCHEDULE

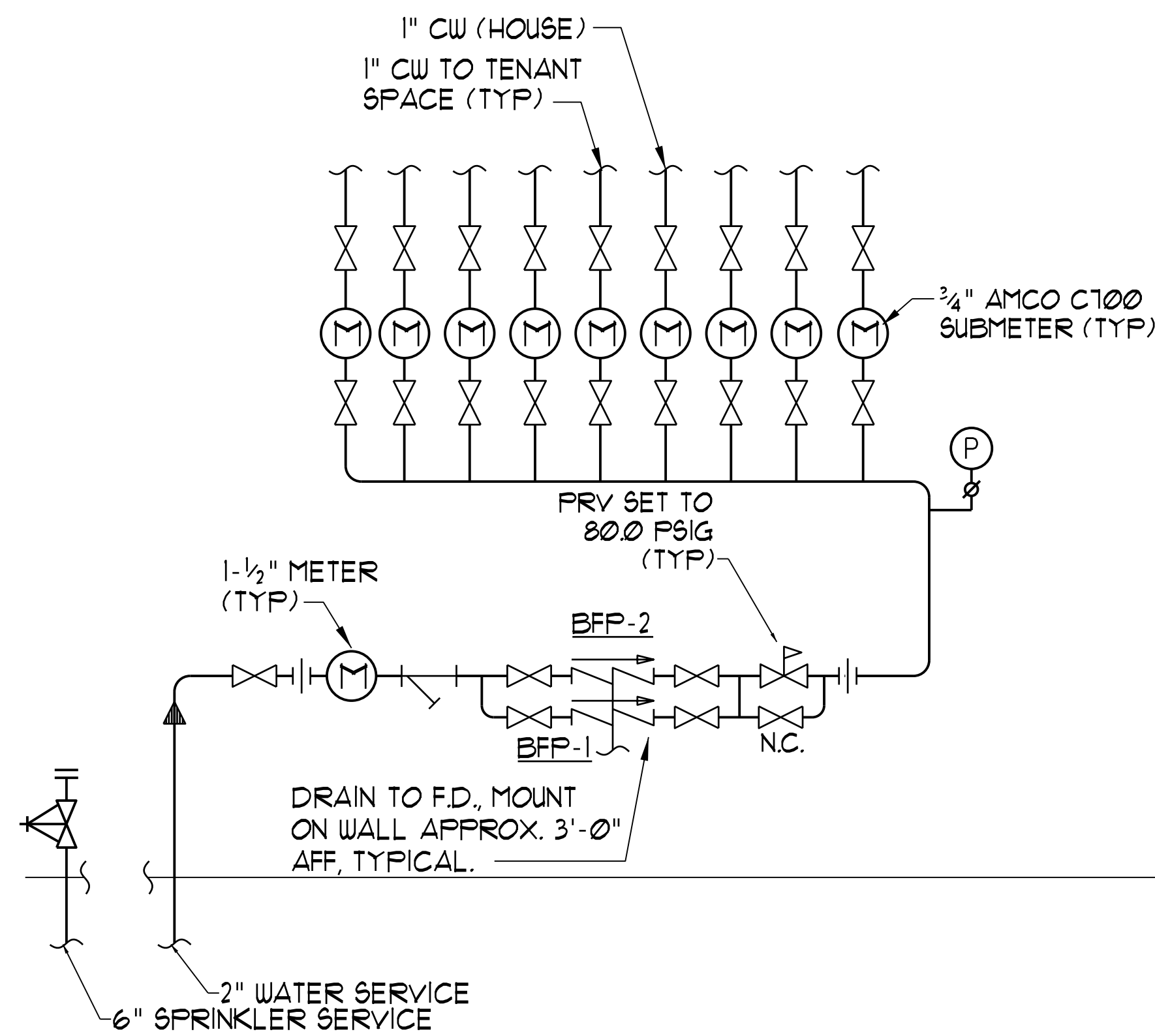
TAG	AIRFLOW LOW/HIGH (CFM)	T.S.P (INWG)	NOISE (SONES)	RPM	DRIVE	ELECTRICAL REQUIREMENTS					BASIS OF DESIGN - PANASONIC		
						HP	BHP	WATTS	AMPS	V/PH/Hz	SERVICE	ARRANGEMENT	MODEL
EF-1	50/80	0.25	0.5	-	DIRECT	-	-	11.6	0.42	120/1160	UNIT BATHROOMS	CEILING	FV05-11VKS1I
EF-2	50	0.25	0.3	-	DIRECT	-	-	11.6	0.42	120/1160	UNIT 3/4 BATHS	CEILING	FV05-11VKS1I
EF-3	80	0.25	0.5	-	DIRECT	-	-	11.6	0.42	120/1160	COMMON RESTROOM	CEILING	FV05-11VKS1I

** FAN SHALL OPERATE CONTINUOUSLY AT 50 CFM AND SHALL RAMP UP TO 80 CFM BY THE WALL SWITCH. PROVIDE FANS EF-1 AND EF-2 WITH CEILING RADIATION DAMPERS.

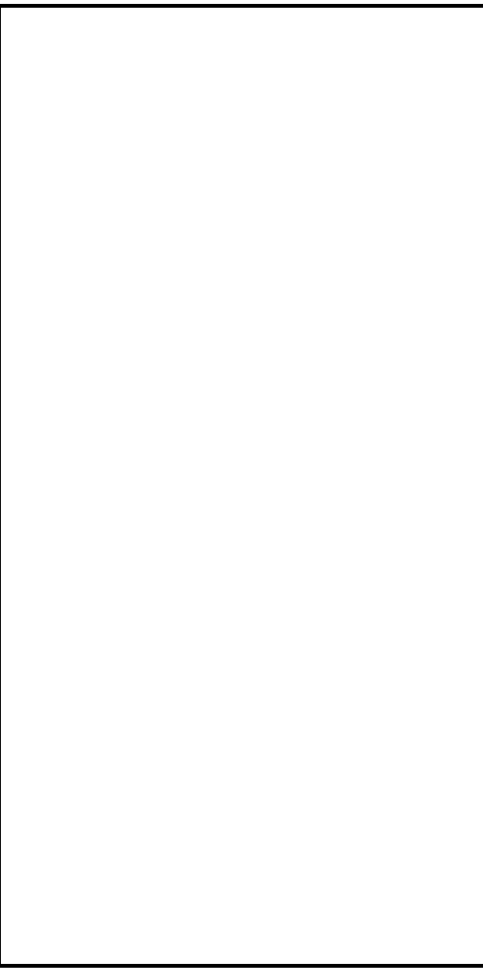
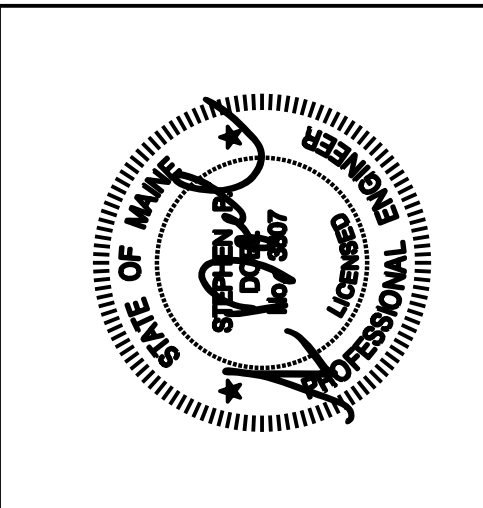
PLUMBING FIXTURE CONNECTION SCHEDULE

TAG	DESCRIPTION	SAN	VENT	CW	HW
P-1	FLOOR MOUNTED TT WC	3"	2"	1/2"	-
P-1A	ADA FLOOR MOUNTED TT WC	3"	2"	1/2"	-
P-2	COUNTERTOP LAVATORY	1-1/2"	1-1/2"	1/2"	1/2"
P-2A	WALL HUNG LAVATORY	1-1/2"	1-1/2"	1/2"	1/2"
P-2B	ADA WALL HUNG LAVATORY	1-1/2"	1-1/2"	1/2"	1/2"
P-3	TUB/SHOWER	2"	1-1/2"	1/2"	1/2"
P-3A	SHOWER	2"	1-1/2"	1/2"	1/2"
P-4	SINGLE BOWL SS KITCHEN SINK **	1-1/2"	1-1/2"	1/2"	1/2"
P-5	WASHING MACHINE HOOK-UP	2"	1-1/2"	1/2"	1/2"
P-6	ICEMAKER CONNECTION	-	2"	3/8"	-
FPHB	FREEZE PROOF HOSE BIBB	-	-	3/4"	-
FD-1	FLOOR DRAIN (W/ TRAP PRIMER)	3"	2"	1/2"	-

MINIMUM SIZE OF BELOW SLAB SANITARY VENT PIPING SHALL BE 2". FLOOR DRAINS SHALL BE CONNECTED TO A NEARBY TRAP PRIMER. ** TRAP PRIMER CONNECTION (ROUTED FROM NEAREST FIXTURE). ** PROVIDE WITH TACO-GENIE 008-CT-UGK UNDER SINK. HOT WATER RECIRC SYSTEM WITH MOTION SENSOR.



WATER ENTRANCE DETAIL
NTS



502 DEERING CENTER
MECHANICAL SCHEDULES AND DETAILS

Date Drawn - 5-12-17

Drawn By - JMV

Revised -

Project # -

Scale - 1/4" = 1'-0"

Sheet Number - M3.2