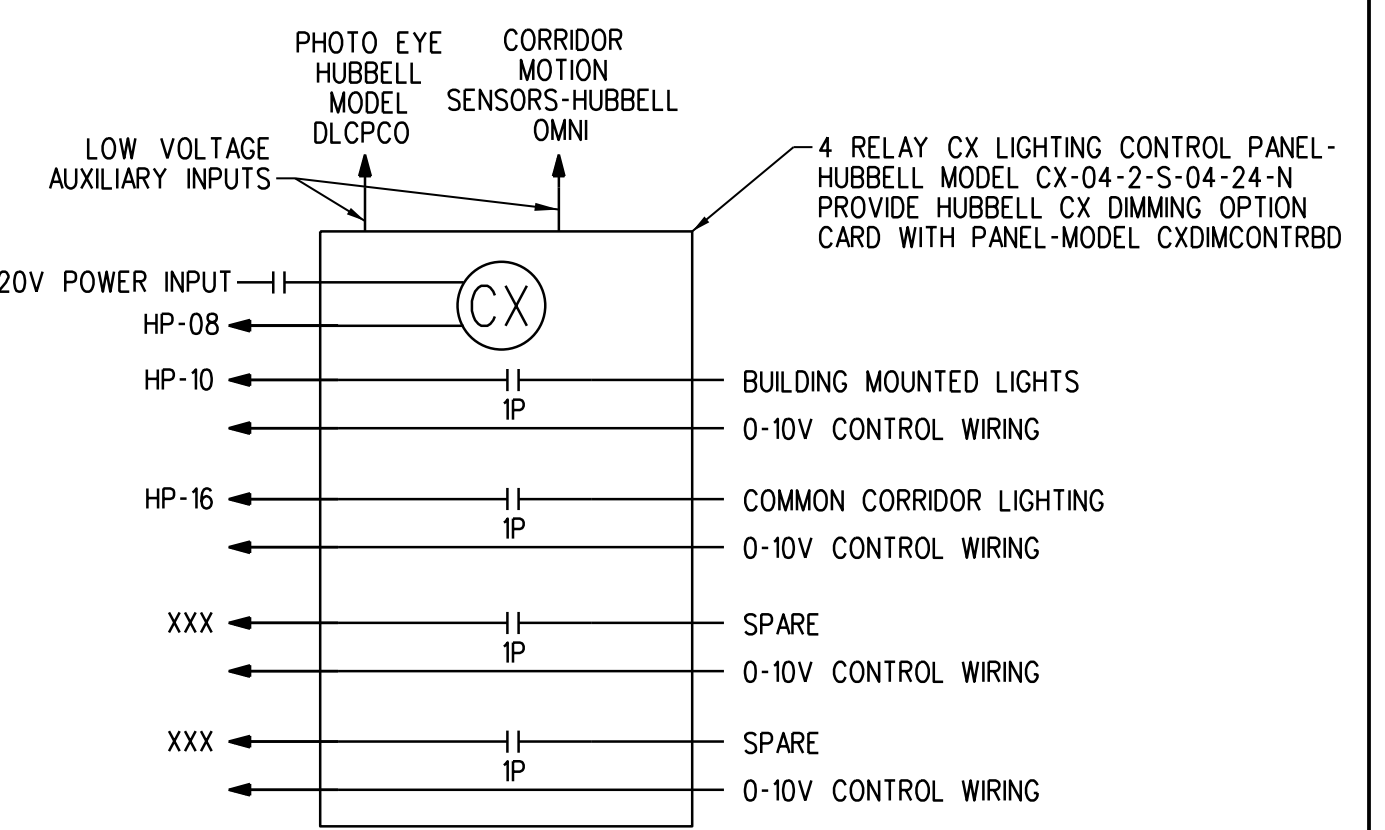
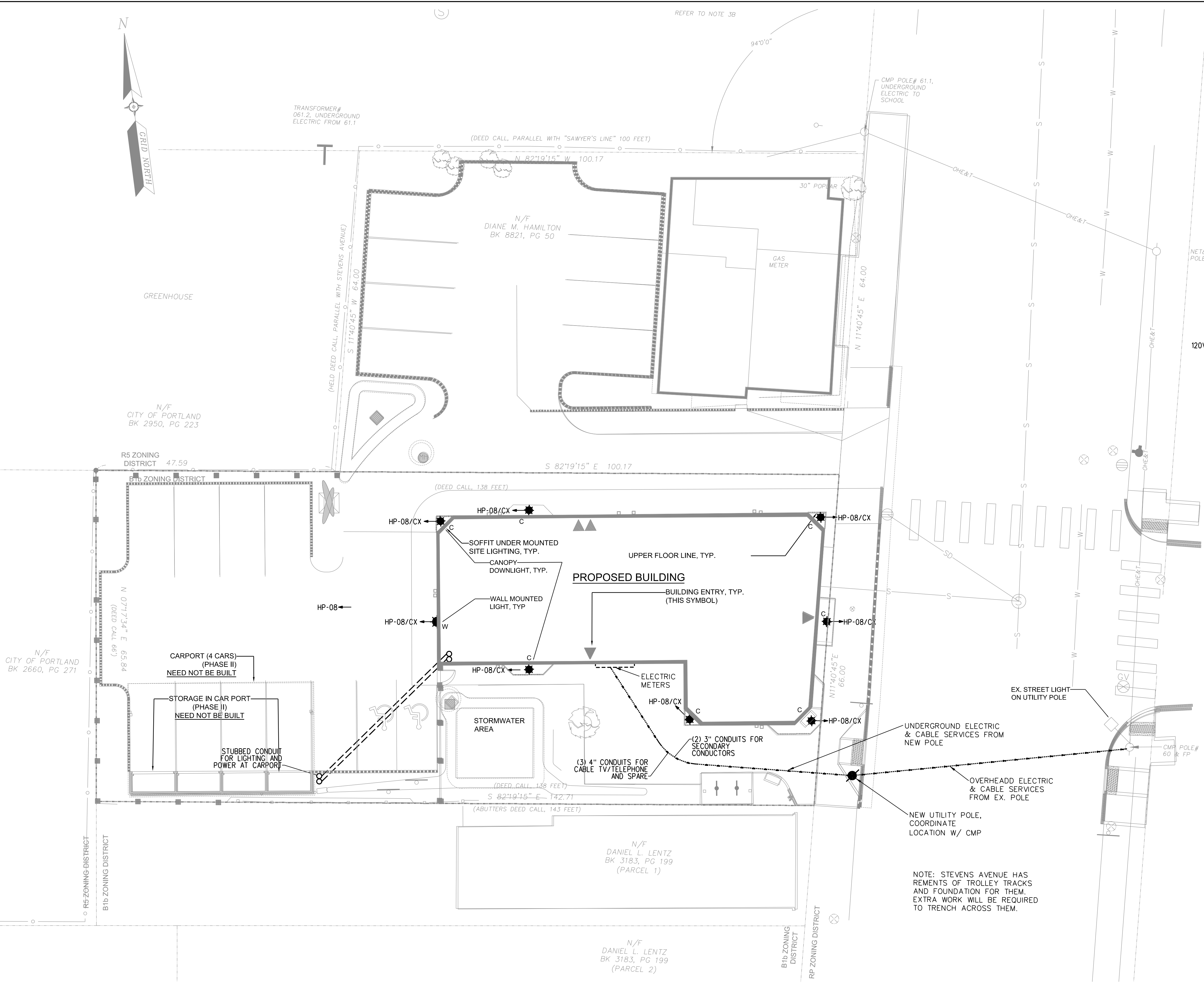
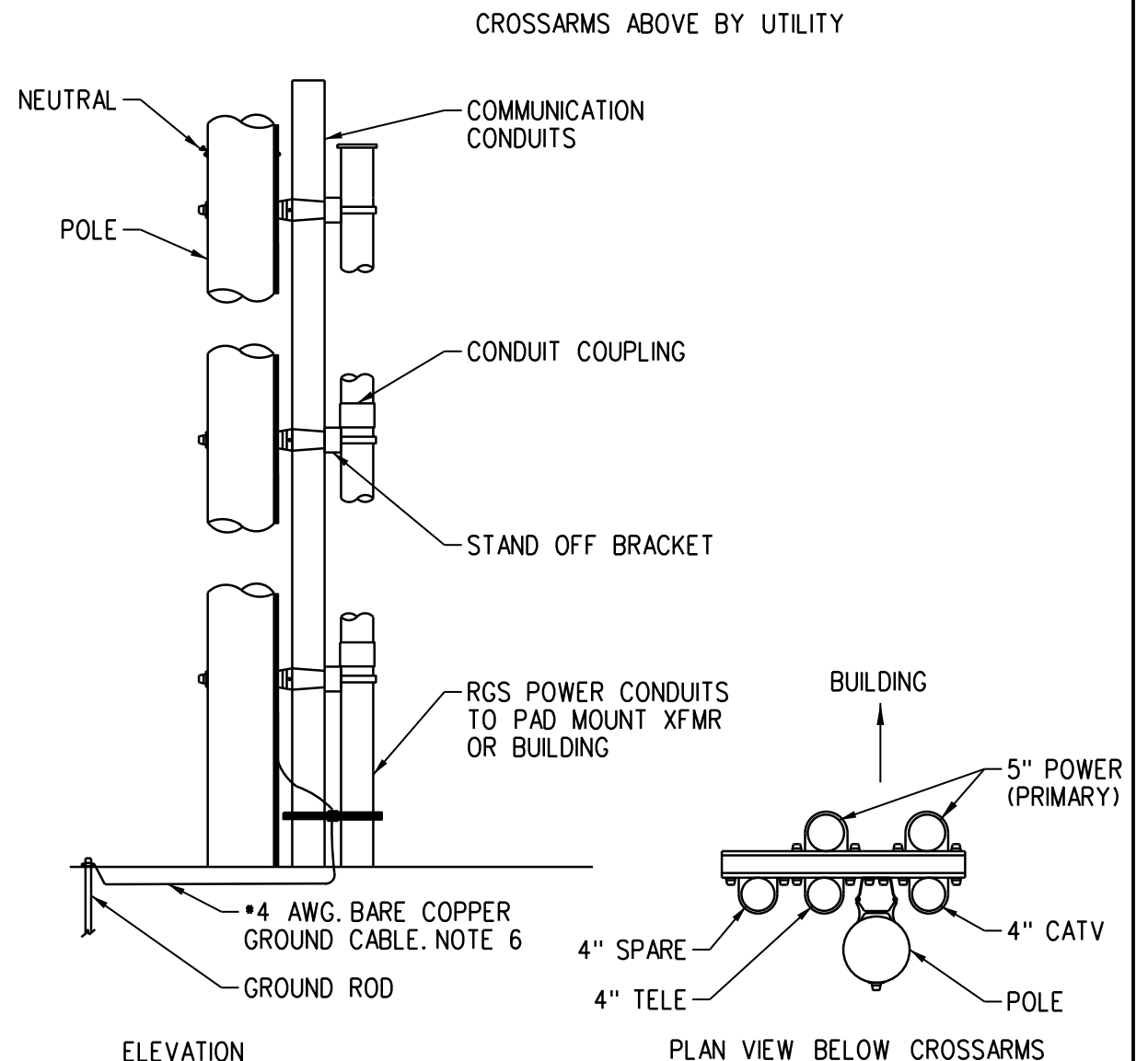


REFER TO NOTE 3B



**CX LIGHTING CONTROL PANEL**  
SCALE: NONE



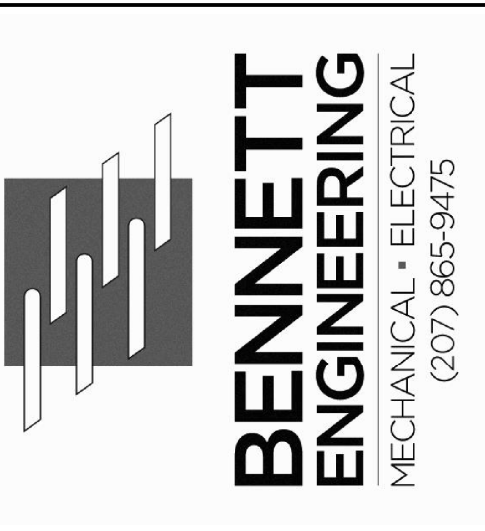
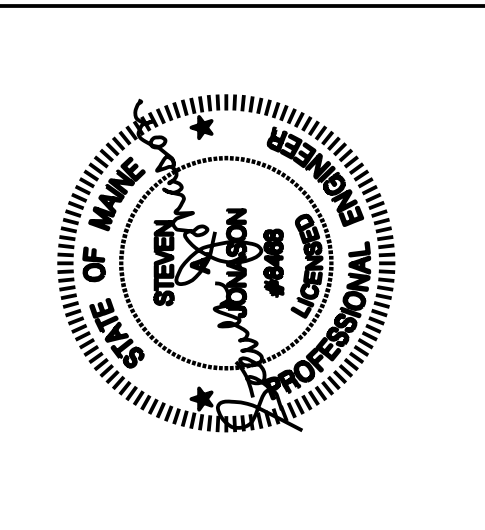
**RISER POLE BRACKET DETAIL**  
SCALE: NONE

- NOTES:**
1. PROVIDE STANDOFF BRACKETS AS INDICATED.
  2. CONDUIT SHALL BE RGS CONDUIT ONLY.
  3. TOP CONDUIT SECTIONS LONGER THAN 24\"/>
- UTILITY COORDINATION NOTES**
1. A TELEPHONE CABLE WILL BE INSTALLED TO THE \_\_\_\_\_ ROOM BY THE TELEPHONE UTILITY. PROVIDE CONDUIT AS INDICATED ON DRAWINGS. THE TELEPHONE UTILITY WILL TERMINATE PAIRS AT THE EQUIPMENT INSIDE THE \_\_\_\_\_ ROOM.
  2. A CATV CABLE SHALL BE INSTALLED TO THE \_\_\_\_\_ ROOM BY UTILITY. INSTALL TERMINATIONS FOR CATV HOMERUNS.
  3. COORDINATE INSTALLATION WITH ALL UTILITY REGULATIONS.
  4. PROVIDE HOMERUNS TO EACH CATV AND TELEPHONE OUTLET TO BACKBOARDS. CAT-5 RUNS SHALL NOT BE MORE THAN 300 FEET.

NOTE: STEVENS AVENUE HAS REMENTS OF TROLLEY TRACKS AND FOUNDATION FOR THEM. EXTRA WORK WILL BE REQUIRED TO TRENCH ACROSS THEM.

**LIGHTING SCHEDULE**

SYM.	LABEL	FIXTURE MODEL + MAKE	LAMP	HEIGHT	POLE	NOTES
	W	VIPER S SERIES (BLACK) - BEACON LIGHTING	55 WATT LED	12'	-	
	C	PRESCOLITE 4\"/>				



502 DEERING CENTER

ELECTRICAL SITE PLAN

Date Drawn - 5-12-17

Drawn By - PMC

Revised -

Project # -

Scale - 1" = 10'-0"

Sheet Number - E01